



PIAGGIO & C.s.p.a.



CATALOGUS RESERVEONDERDELEN



750 X Polizia/PA 2A Serie 750 1995-2001

Voorvoegsel frame: ZGULX154

Voorvoegsel motor:

750 X

GU027



Inhoudsopgave

Afgewerkte producten.....	4
Alfanumerieke inhoudsopgave.....	5
FRAME.....	11
Tafel 33.01 - Side cases.....	11
Tafel 33.02 - Front body.....	13
Tafel 33.03 - Central body - Saddle.....	15
Tafel 33.04 - Bevel gear.....	18
Tafel 33.05 - Dashboard.....	21
Tafel 33.06 - Blue headlight/horns.....	22
Tafel 33.07 - Headlight/Horn.....	24
Tafel 33.08 - Taillight.....	25
Tafel 33.09 - Air filter.....	26
Tafel 33.10 - Swing arm.....	28
Tafel 33.11 - Electrical system.....	29
Tafel 33.12 - Handlebar - Controls.....	31
Tafel 33.13 - Front mudguard.....	33
Tafel 33.14 - Rear body - Mudguard.....	36
Tafel 33.15 - Front bumper kit.....	38
Tafel 33.16 - Cradle-Foot rests-Stands.....	39
Tafel 33.17 - Rear brake caliper.....	41
Tafel 33.18 - Front master cilinder.....	42
Tafel 33.19 - Rear master cylinder.....	43
Tafel 33.20 - Front wheel<LX16499.....	45
Tafel 33.21 - Front wheel LX16500>.....	46
Tafel 33.22 - Rear wheel.....	48
Tafel 33.23 - Front shock absorber.....	49
Tafel 33.24 - Front/rear shock absorber.....	51
Tafel 33.25 - Frame.....	53
Tafel 33.26 - Rome Police top box.....	55
Tafel 33.27 - Digiplex electrical system.....	56
Tafel 33.29 - Fuel supply.....	58
Tafel 33.37 - Exhaust unit.....	59
ENGINE.....	60
Tafel 34.28 - Drive shaft.....	60
Tafel 34.30 - Gear box.....	61
Tafel 34.31 - Carburettor.....	64
Tafel 34.32 - Crankcase.....	66
Tafel 34.33 - Timing system.....	68
Tafel 34.34 - Clutch.....	70
Tafel 34.35 - Bosch ignition.....	72
Tafel 34.36 - Ducati ignition.....	73
Tafel 34.38 - Starter motor.....	74
Tafel 34.39 - Oil pump.....	75



750 X
GU027 - 750 X Polizia/PA 2A Serie 750 1995-2001

Voorvoegsel frame: ZGULX154
Voorvoegsel motor:

Tafel 34.40 - Transmission cage.....	76
Tafel 34.41 - Cylinder head.....	78



750 X
GU027 - 750 X Polizia/PA 2A Serie 750 1995-2001

Voorvoegsel frame: ZGULX154
Voorvoegsel motor:

Afgewerkte producten

Code	Geldigheid
geen afgewerkt product	



Code	N.Tafel	Pos.	Code	N.Tafel	Pos.	Code	N.Tafel	Pos.
GU00823923140	33.09	27	GU14712459	34.35	2	GU19113960	33.09	4
GU00823931070	33.05	15	GU14717600	33.27	18	GU19114060	33.09	1
GU00823931077	33.02	10	GU14747455	33.11	6	GU19114360	33.29	10
GU00823931077	33.03	39	GU14768650	33.05	6	GU19114460	33.29	13
GU00823942090	33.09	26	GU14768650	33.07	4	GU19114680	33.29	12
GU00823946060	33.11	25	GU14769200	33.05	13	GU19115580	33.29	5
GU00823950050	33.19	12	GU14931650	34.31	32	GU19146422	34.39	1
GU00823956060	33.03	10	GU14934650	34.31	11	GU19149800	34.39	18
GU01474630	33.14	3	GU17451750	33.15	8	GU19152200	34.39	11
GU03704540	33.11	1	GU17658260	33.13	16	GU19157800	33.19	13
GU03743380	33.06	1	GU17658260	33.17	17	GU19201120	34.40	15
GU10054100	34.30	12	GU17658460	33.17	16	GU19202320	34.40	29
GU10054100	34.30	42	GU17659850	33.17	20	GU19203460	34.34	29
GU10214301	34.30	27	GU17661052	33.19	11	GU19207220	34.40	11
GU10214302	34.30	27	GU17704300	34.35	11	GU19208220	34.40	27
GU10214303	34.30	27	GU17712400	34.35	1	GU19210760	34.34	20
GU10214304	34.30	27	GU17718350	33.27	19	GU19211160	34.30	41
GU10214305	34.30	27	GU17719900	34.35	5	GU19211361	34.30	8
GU10528900	33.04	11	GU17750520	33.11	17	GU19211460	34.30	6
GU10528900	33.04	9	GU17937450	34.31	22	GU19211861	34.30	5
GU10528900	34.32	22	GU18144350	34.39	16	GU19212900	34.30	15
GU10528900	34.40	23	GU18161150	34.39	21	GU19213661	34.30	14
GU10934900	34.31	38	GU18577850	33.02	30	GU19213720	34.30	17
GU12087001	34.34	10	GU18941750	33.15	11	GU19213760	34.34	22
GU12154200	34.32	33	GU19001200	34.32	15	GU19214660	34.30	11
GU12154200	34.40	12	GU19002020	34.32	9	GU19214860	34.30	21
GU12433000	33.16	27	GU19002020	34.40	16	GU19215161	34.30	22
GU12434001	33.16	4	GU19003602	34.32	20	GU19215460	34.30	3
GU12616101	33.21	3	GU19003800	34.32	8	GU19218061	34.30	25
GU12616102	33.21	3	GU19007700	34.32	17	GU19218062	34.30	9
GU12616103	33.21	3	GU19015020	34.32	5	GU19231020	34.30	35
GU12717600	33.11	26	GU19016320	34.32	10	GU19231220	34.30	34
GU12937200	34.31	10	GU19017000	33.16	14	GU19234420	34.30	30
GU13021900	34.32	36	GU19018920	34.39	10	GU19234600	34.30	31
GU13933100	34.31	17	GU19021360	34.41	18	GU19235800	34.40	8
GU13934600	34.31	36	GU19021920	34.41	7	GU19237800	34.40	13
GU13934700	34.31	37	GU19023700	34.41	10	GU19256920	34.30	48
GU13936200	34.31	26	GU19025280	33.37	8	GU19258220	34.30	49
GU13936300	34.31	27	GU19025300	33.27	28	GU19327601	33.10	5
GU13936600	34.31	30	GU19025300	34.41	6	GU19327701	33.10	2
GU13936700	34.31	31	GU19025460	33.37	7	GU19328801	33.10	3
GU13937800	34.31	25	GU19027500	34.33	15	GU19350700	33.04	22
GU13937900	34.31	21	GU19030500	34.33	7	GU19351100	33.04	4
GU14086000	34.34	9	GU19032080	34.33	10	GU19351401	33.04	16
GU14086100	34.34	11	GU19032380	34.33	11	GU19351900	33.04	2
GU14090201	34.34	13	GU19032980	34.33	14	GU19352300	33.04	23
GU14090400	34.34	14	GU19032980	34.41	25	GU19352401	33.04	31
GU14217901	33.19	18	GU19034000	34.33	8	GU19353500	33.04	24
GU14217901	34.34	31	GU19036082	34.33	1	GU19355121	33.04	34
GU14217901	34.34	6	GU19036183	34.33	2	GU19355200	33.04	35
GU14217901	34.40	7	GU19037820	34.41	8	GU19355202	33.04	36
GU14423800	33.09	23	GU19045861	34.33	25	GU19355300	33.04	33
GU14423800	33.16	28	GU19054521	34.33	17	GU19355300	34.30	32
GU14494600	33.24	15	GU19055700	34.33	23	GU19355301	33.04	33
GU14516700	33.24	13	GU19058021	34.33	19	GU19355302	33.04	33
GU14517000	33.24	14	GU19058220	34.33	20	GU19355303	33.04	33
GU14547800	33.10	14	GU19060763	34.28	11	GU19355304	33.04	33
GU14577850	33.02	4	GU19061063	34.28	12	GU19355305	33.04	33
GU14609650	33.11	24	GU19062261	34.28	4	GU19355306	33.04	33
GU14609650	33.12	7	GU19065400	34.28	2	GU19355307	33.04	33
GU14615901	33.10	20	GU19067700	34.28	18	GU19355308	33.04	33
GU14615901	33.21	12	GU19083462	34.34	2	GU19355309	33.04	33
GU14615901	33.24	28	GU19111060	33.09	5	GU19355320	33.04	40
GU14615901	33.26	8	GU19111160	33.09	6	GU19355321	33.04	40
GU14615901	34.28	19	GU19112960	33.09	3	GU19355322	33.04	40
GU14634400	33.22	11	GU19113460	33.09	9	GU19355323	33.04	40
GU14704205	34.35	12	GU19113760	33.09	7	GU19355324	33.04	40



Code	N.Tafel	Pos.	Code	N.Tafel	Pos.	Code	N.Tafel	Pos.
GU19355325	33.04	40	GU23159671	33.09	17	GU27128115	33.37	18
GU19355326	33.04	40	GU23200370	34.40	10	GU27133515	33.12	22
GU19355327	33.04	40	GU23202074	34.30	28	GU27152885	34.32	32
GU19355328	33.04	40	GU23208272	34.40	27	GU27153085	34.39	14
GU19355329	33.04	40	GU23210570	34.30	1	GU27157420	33.09	21
GU19355400	33.04	21	GU23211372	34.30	8	GU27159360	33.09	20
GU19355402	33.04	21	GU23212070	34.30	2	GU27250815	34.30	45
GU19355404	33.04	21	GU23213870	34.40	5	GU27251015	33.19	2
GU19355406	33.04	21	GU23213872	34.40	5	GU27251015	34.30	46
GU19355408	33.04	21	GU23214071	34.30	24	GU27257715	34.30	53
GU19355410	33.04	21	GU23214571	34.30	20	GU27350410	33.04	13
GU19355411	33.04	21	GU23214572	34.30	20	GU27356910	33.22	9
GU19355412	33.04	21	GU23215270	34.30	23	GU27357411	33.04	41
GU19355413	33.04	21	GU23217800	34.33	28	GU27418215	33.25	10
GU19356320	33.04	19	GU23328081	33.10	7	GU27429515	33.16	13
GU19356700	33.04	30	GU23548080	33.10	8	GU274343757	33.13	1
GU19356760	34.34	24	GU23548180	33.10	9	GU27436875	33.13	3
GU19356801	33.04	28	GU23555280	33.24	4	GU27438716	33.14	2
GU19357660	33.04	25	GU23555281	33.24	3	GU27440210	33.16	10
GU19433000	33.09	22	GU23557690	33.24	11	GU27441110	33.16	22
GU19434000	33.16	18	GU23610370	33.20	1	GU27441310	33.16	11
GU19547000	33.10	12	GU23610870	33.20	15	GU27443210	33.16	12
GU19603015	33.12	18	GU23610870	33.21	16	GU27493170	33.23	10
GU19603515	33.12	4	GU23630370	33.22	1	GU27494070	33.23	15
GU19609600	33.03	45	GU23630770	33.22	17	GU27504915	33.24	16
GU19609600	33.09	33	GU23631170	33.22	14	GU27522570	33.23	37
GU19615235	33.20	2	GU23631470	33.22	13	GU27522670	33.23	30
GU19632501	33.22	4	GU23653011	33.17	1	GU27525415	33.23	20
GU19632502	33.22	5	GU23707100	33.06	14	GU27530501	33.23	1
GU19705900	33.25	13	GU23742890	33.06	3	GU27530504	33.23	6
GU19705900	33.27	24	GU23743392	33.06	2	GU27530505	33.23	7
GU19707100	33.11	10	GU23768310	33.05	3	GU27530506	33.23	8
GU19718000	33.19	28	GU23934870	34.31	1	GU27530509	33.23	16
GU19718000	33.29	14	GU23991572	34.40	30	GU27530510	33.23	17
GU19748000	33.11	9	GU25656100	33.17	8	GU27530511	33.23	18
GU19768580	33.05	9	GU25656100	33.18	12	GU27530520	33.23	40
GU19782520	33.25	2	GU25656100	33.19	8	GU27530521	33.23	39
GU19934480	34.31	20	GU27001136	34.32	25	GU27530522	33.23	38
GU19934600	34.31	7	GU27001636	34.32	24	GU27530523	33.23	31
GU19934960	34.31	2	GU27004985	34.32	28	GU27530530	33.23	35
GU19935080	34.31	12	GU27020820	34.41	24	GU27530531	33.23	41
GU19935580	34.31	3	GU27022060	34.41	19	GU27530575	33.23	12
GU19935750	34.31	4	GU27037521	34.33	4	GU27530576	33.23	13
GU19936000	34.31	6	GU27045420	34.33	27	GU27530578	33.23	22
GU19937180	34.31	13	GU27053463	34.33	16	GU27530579	33.23	23
GU19938580	34.31	14	GU27053464	34.33	16	GU27530580	33.23	24
GU19939980	34.31	19	GU27060860	34.28	15	GU27530581	33.23	25
GU19941095	33.15	9	GU27061285	34.28	13	GU27530582	33.23	26
GU19941495	33.15	10	GU27061385	34.28	14	GU27530583	33.23	27
GU20060220	34.28	10	GU27061585	34.28	3	GU27530584	33.23	28
GU20085720	34.34	8	GU27061885	34.28	17	GU27530585	33.23	29
GU20108120	33.27	5	GU27062060	34.28	6	GU27530586	33.23	34
GU20147710	34.39	17	GU27064185	34.28	1	GU27530587	33.23	36
GU20147810	34.39	4	GU27065660	34.28	7	GU27530591	33.23	32
GU20148410	34.39	5	GU27066460	34.28	9	GU27530592	33.23	33
GU20148610	34.39	6	GU27066560	34.28	8	GU27530593	33.19	16
GU20208520	34.30	58	GU27080160	34.34	1	GU27576016	33.02	6
GU20236220	34.30	57	GU27084460	34.34	4	GU27604815	33.18	5
GU20354621	33.04	18	GU27103415	33.03	28	GU27609685	33.09	28
GU20716720	33.27	11	GU27103515	33.03	30	GU27611210	33.20	4
GU20721610	33.27	6	GU27113985	33.09	24	GU27616110	33.20	14
GU20909920	33.14	25	GU27117775	33.12	11	GU27616110	33.22	16
GU20999520	34.30	38	GU27121915	33.37	5	GU27616111	33.20	14
GU20999520	34.30	60	GU27122915	33.37	4	GU27616111	33.22	16
GU23093870	33.12	16	GU27123415	33.37	16	GU27616112	33.20	14
GU23112674	33.29	1	GU27123915	33.37	3	GU27616112	33.22	16
GU23112675	33.29	2	GU27126615	33.37	17	GU27616113	33.20	14



Code	N.Tafel	Pos.	Code	N.Tafel	Pos.	Code	N.Tafel	Pos.
GU27616113	33.22	16	GU29577860	33.01	4	GU31101930	33.03	15
GU27616310	33.20	10	GU29703800	34.35	6	GU31101931	33.03	15
GU27631250	33.22	15	GU29711460	34.36	5	GU31103835	33.03	41
GU27633910	33.22	8	GU29711960	34.36	11	GU31105330	33.03	4
GU27634110	33.04	39	GU30135200	33.12	20	GU31105830	33.03	5
GU27635811	33.17	3	GU30251025	33.19	2	GU31106630	33.03	11
GU27651315	33.13	15	GU304344101	33.13	1	GU31110715	33.09	8
GU27652350	33.18	13	GU30477101	33.11	14	GU31110815	33.09	10
GU27654650	33.18	14	GU30477200	33.11	19	GU31111265	33.09	29
GU27657110	33.17	6	GU30530510	34.38	3	GU31112630	33.29	1
GU27658215	33.24	18	GU30530511	34.38	4	GU31112631	33.29	2
GU27658415	33.24	17	GU30530512	34.38	9	GU31112965	33.09	31
GU27658575	33.18	10	GU30602500	33.12	13	GU31114165	33.09	11
GU27659050	33.18	17	GU30603800	33.12	2	GU31115037	33.29	3
GU27659150	33.18	18	GU30605560	33.12	12	GU31115038	33.29	4
GU27659515	33.19	14	GU30605680	33.18	4	GU31117565	33.12	9
GU27661115	33.18	3	GU30606900	33.12	3	GU31117715	33.12	11
GU27663615	33.18	20	GU30607910	33.12	10	GU31117715	33.12	11
GU27664075	33.18	6	GU30611460	33.21	10	GU31117815	33.12	11
GU27667515	33.19	3	GU30613760	33.21	18	GU31120730	33.37	1
GU27668015	33.19	7	GU30658561	33.17	6	GU31120731	33.37	2
GU27675016	33.19	5	GU30660180	33.18	1	GU31132865	33.12	21
GU27677015	33.19	1	GU30667030	33.19	6	GU31153481	33.09	16
GU27704815	33.11	3	GU30714201	34.36	3	GU31158250	34.39	15
GU27740515	33.07	1	GU30716500	33.27	10	GU31192530	33.02	14
GU27743715	33.07	14	GU30717410	33.27	20	GU31200231	34.40	17
GU27760410	33.05	12	GU30730711	34.38	1	GU31200431	34.34	26
GU27761515	33.05	2	GU30732200	33.11	13	GU31200831	34.40	1
GU27767275	33.05	4	GU30732400	33.11	16	GU31206500	33.04	10
GU27768185	33.05	11	GU30732400	33.27	23	GU31206500	34.40	22
GU27900015	33.14	24	GU30732560	33.11	15	GU31350231	33.10	1
GU27933720	34.31	18	GU30732560	33.27	22	GU31350331	33.04	1
GU27934315	34.31	8	GU30738060	33.12	19	GU31351200	33.04	6
GU27935960	34.31	5	GU30738860	33.12	5	GU31351200	34.40	24
GU27999060	34.32	35	GU30743700	33.07	14	GU31400136	33.25	1
GU28004950	34.32	30	GU30749860	33.18	7	GU31400137	33.25	1
GU28103260	33.03	34	GU30756100	33.11	18	GU31420331	33.16	1
GU28113650	33.09	2	GU30769430	33.12	23	GU31422136	33.16	2
GU28157950	33.03	8	GU30769830	33.12	24	GU31430335	33.16	3
GU28157950	33.03	9	GU30970200	33.14	27	GU31432036	33.16	17
GU28238261	34.30	59	GU31000331	34.32	1	GU31433835	33.06	12
GU28252060	33.16	24	GU31001431	34.32	14	GU31434334	33.13	1
GU28258160	34.30	52	GU31003431	34.32	26	GU31434335	33.13	1
GU28461300	33.03	23	GU31003531	34.32	19	GU31434336	33.13	1
GU28461345	33.03	27	GU31003766	33.04	8	GU31434339	33.13	1
GU28462645	33.24	26	GU31003766	34.32	21	GU31434735	33.13	22
GU28500745	33.24	25	GU31003766	34.34	36	GU31436635	33.13	2
GU28584845	33.01	10	GU31003766	34.40	26	GU31436636	33.13	2
GU28613560	33.21	19	GU31016050	34.39	20	GU31436637	33.13	2
GU28614100	33.21	14	GU31021900	34.41	12	GU31436835	33.13	3
GU28618860	33.21	20	GU31022131	34.41	1	GU31437035	33.14	1
GU28659700	33.17	21	GU31022231	34.41	2	GU31439235	33.25	17
GU28660278	33.18	2	GU31023531	34.41	9	GU31439335	33.25	16
GU28704545	33.11	1	GU31037015	34.33	13	GU31439937	33.01	22
GU28707050	33.11	2	GU31038015	34.33	5	GU31450335	33.15	1
GU28727200	33.11	7	GU31045015	34.33	26	GU31450435	33.15	2
GU28742560	33.11	12	GU31060131	34.41	17	GU31460537	33.03	22
GU28745761	33.05	23	GU31060616	34.28	16	GU31460935	33.14	5
GU28747449	33.11	6	GU31064165	34.28	1	GU31463635	33.25	15
GU28747960	33.11	11	GU31067965	34.34	5	GU31463935	33.01	2
GU28917570	33.02	12	GU31093035	33.12	15	GU31464330	33.25	26
GU28917571	33.02	12	GU311002301	33.03	1	GU314664301	33.14	4
GU28923400	33.14	7	GU31100235	33.03	1	GU31466435	33.14	4
GU28929940	33.14	25	GU31100236	33.03	1	GU31466436	33.14	4
GU29108550	33.03	8	GU31100237	33.03	1	GU31466439	33.14	4
GU29217960	34.36	7	GU31100238	33.03	1	GU31466837	33.13	3
GU29487762	33.26	2	GU31100239	33.03	1	GU31472635	33.01	1



Code	N.Tafel	Pos.	Code	N.Tafel	Pos.	Code	N.Tafel	Pos.
GU31476235	33.03	19	GU31593039	33.12	17	GU31934460	34.31	20
GU314762351	33.03	19	GU31594136	33.12	26	GU31945435	33.03	40
GU31476236	33.03	19	GU31594236	33.12	25	GU31991036	34.32	39
GU31476237	33.03	19	GU31600335	33.12	1	GU31991037	34.32	39
GU31476238	33.03	19	GU31610365	33.21	1	GU31999565	34.32	34
GU31476239	33.03	19	GU31613335	33.20	5	GU31999581	34.39	8
GU31476335	33.03	21	GU31613335	33.22	2	GU35214300	33.10	13
GU314763351	33.03	21	GU31613635	33.21	17	GU35755780	33.05	20
GU31476336	33.03	21	GU31614130	33.20	9	GU37703805	34.36	2
GU31476337	33.03	21	GU31615260	33.21	5	GU37712405	34.36	1
GU31476338	33.03	21	GU31619865	33.21	9	GU39238100	34.30	43
GU31476339	33.03	21	GU31620365	33.21	4	GU39611601	33.20	13
GU31477435	33.25	20	GU31633330	33.22	10	GU39611601	33.21	2
GU31479430	33.25	21	GU31634130	33.17	5	GU39741150	33.19	29
GU31483935	33.01	7	GU31634230	33.17	4	GU39762501	33.05	14
GU31485635	33.01	8	GU31654660	33.17	2	GU39937600	34.31	24
GU31485735	33.01	5	GU31658330	33.24	23	GU43934000	34.31	35
GU31485736	33.01	5	GU31659160	33.17	12	GU45212400	33.02	31
GU31485737	33.01	5	GU31659260	33.17	13	GU50740600	33.03	20
GU31485738	33.01	5	GU31659260	33.18	19	GU51105401	33.03	12
GU31485739	33.01	5	GU31659735	33.17	21	GU51105600	33.03	14
GU31486035	33.01	9	GU31659760	33.13	21	GU51105900	33.03	13
GU31487037	33.26	5	GU31667635	33.19	4	GU51921400	33.03	36
GU31487137	33.26	6	GU31712365	34.36	9	GU55234700	34.40	20
GU31487637	33.26	1	GU31717061	33.27	21	GU55611700	33.21	24
GU31487836	33.26	3	GU31721465	33.27	1	GU61013800	33.02	27
GU31487837	33.26	4	GU31722065	33.27	7	GU61013800	33.03	7
GU31488437	33.26	7	GU31723835	33.27	2	GU61013800	33.08	12
GU31489935	33.01	6	GU31728030	33.02	8	GU61013800	33.11	21
GU31490236	33.24	1	GU31735330	33.05	17	GU61013800	33.13	17
GU31490237	33.24	1	GU31735630	33.05	18	GU61013800	33.15	13
GU31501635	33.05	1	GU31743335	33.06	1	GU61013800	33.29	9
GU31501730	33.05	16	GU31743340	33.06	1	GU61013800	33.37	10
GU31502335	33.24	24	GU31743341	33.06	1	GU61025100	33.37	6
GU31522537	33.23	37	GU31743535	33.06	4	GU61027200	34.41	23
GU31522637	33.23	30	GU31743537	33.06	4	GU61036801	34.41	3
GU31526336	33.23	14	GU31743537	33.06	5	GU61038100	34.33	6
GU31526636	33.23	21	GU31743635	33.06	5	GU61054900	34.33	18
GU31540231	33.10	11	GU31743735	33.06	9	GU61108400	33.09	19
GU31544160	33.10	23	GU31744035	33.06	13	GU61108500	33.09	25
GU31550235	33.24	2	GU31745735	33.05	21	GU61108500	33.27	27
GU31575335	33.02	1	GU31745735	33.06	11	GU61238200	34.30	39
GU315753351	33.02	1	GU31746035	33.06	8	GU61270300	33.04	26
GU31575336	33.02	1	GU31746036	33.06	10	GU61270300	33.17	10
GU31575339	33.02	1	GU31747136	33.11	4	GU61270300	34.32	6
GU31576135	33.07	17	GU31747137	33.11	4	GU61270300	34.34	35
GU31577235	33.02	2	GU31747138	33.11	4	GU61270300	34.41	21
GU31578534	33.02	13	GU31747236	33.11	5	GU61609630	33.11	24
GU31578535	33.02	13	GU31747237	33.11	5	GU62436500	33.17	15
GU315785351	33.02	13	GU31747239	33.11	5	GU65663500	33.19	10
GU31578536	33.02	13	GU31747330	33.11	23	GU65758970	33.05	8
GU31578539	33.02	13	GU31750630	33.07	5	GU65933600	34.31	15
GU31578636	33.02	11	GU31750630	33.08	4	GU65933700	34.31	28
GU31578636	33.02	11	GU31753230	33.07	9	GU66103415	33.25	3
GU31583935	33.13	19	GU31753730	33.07	6	GU66103915	33.03	2
GU31584435	33.13	9	GU31753730	33.08	6	GU66109715	33.03	3
GU31584436	33.13	9	GU31756937	33.07	21	GU66478610	33.02	16
GU31584439	33.13	9	GU31762561	33.21	22	GU66478610	33.03	33
GU31584530	33.13	8	GU31766930	33.05	5	GU66478610	33.13	12
GU31584535	33.13	8	GU31900035	33.14	24	GU66478610	33.14	14
GU31584539	33.13	8	GU31917330	33.03	37	GU66500510	33.23	4
GU31584630	33.13	14	GU31917535	33.05	22	GU66530501	33.23	3
GU31592935	33.12	6	GU31920535	33.13	24	GU66530504	33.23	9
GU31592937	33.12	6	GU31922235	33.02	33	GU66530505	33.23	11
GU31592939	33.12	6	GU31922530	33.05	19	GU66740915	33.08	1
GU31593036	33.12	17	GU31923935	33.05	25	GU89000001	33.03	1
GU31593037	33.12	17	GU31926035	33.05	24	GU89000002	33.03	19

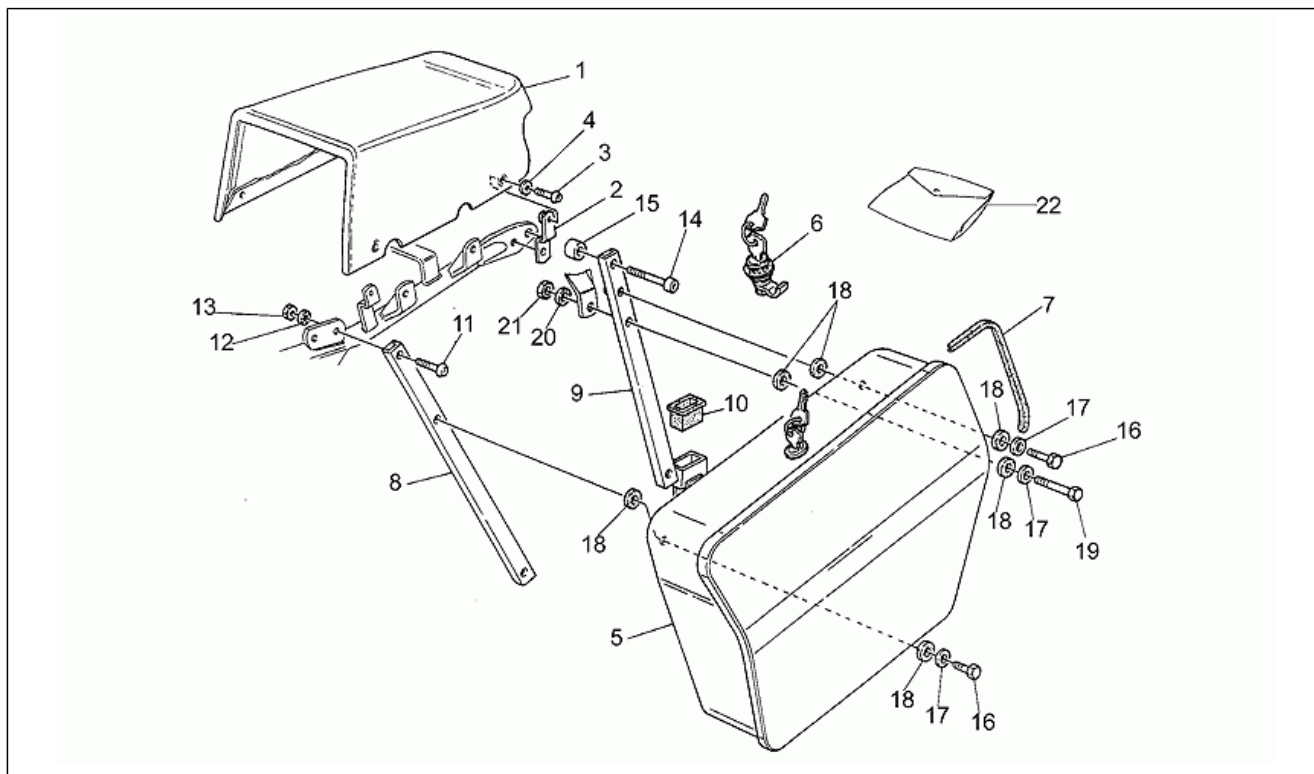


Code	N.Tafel	Pos.	Code	N.Tafel	Pos.	Code	N.Tafel	Pos.
GU89000003	33.03	21	GU92201220	34.30	16	GU92630206	33.13	20
GU89000005	33.13	1	GU92201225	34.34	28	GU92630206	33.14	26
GU89000006	33.13	8	GU92204215	34.40	2	GU92630206	33.27	4
GU89000007	33.13	9	GU92204217	33.20	3	GU92630206	34.35	7
GU89000008	33.12	17	GU92204217	33.22	7	GU92630210	33.16	26
GU89000009	33.12	6	GU92204218	33.22	6	GU92630506	33.03	44
GU89000010	33.02	13	GU92204221	33.21	6	GU92630508	33.21	13
GU89000012	33.02	1	GU92218417	34.30	10	GU92630508	33.25	29
GU89000013	33.14	4	GU92230320	34.30	13	GU92660601	33.02	17
GU89000125	33.01	5	GU92234716	34.30	26	GU92660601	34.36	14
GU89000368	33.02	13	GU92249220	33.04	32	GU92660801	33.03	29
GU90271018	34.33	12	GU92249223	33.04	20	GU92680060	33.02	28
GU90271020	34.30	33	GU92249225	33.24	12	GU92700071	33.19	30
GU90271022	33.21	21	GU92251023	34.30	7	GU92750061	33.02	32
GU90271117	34.30	29	GU92252210	34.39	3	GU92781082	33.10	19
GU90271121	34.30	19	GU92252235	33.04	5	GU92781082	33.37	9
GU90271127	34.30	4	GU92295708	33.18	8	GU93110060	33.01	18
GU90272023	33.10	4	GU92296726	34.39	7	GU93110060	33.02	7
GU90272075	34.34	3	GU92297909	34.30	36	GU93110060	33.13	13
GU90280005	33.25	25	GU92601002	33.18	22	GU93110060	33.14	12
GU90353009	34.41	4	GU92601206	33.19	21	GU93180105	33.10	21
GU90353029	34.33	24	GU92601206	33.19	25	GU93180220	34.34	27
GU90353030	33.04	17	GU92601206	33.37	20	GU93180245	34.41	22
GU90400616	34.34	21	GU92601210	33.16	16	GU93301175	33.11	8
GU90401530	34.32	11	GU92602204	33.14	11	GU93301175	33.27	25
GU90402840	34.32	18	GU92602206	33.01	21	GU93301315	33.06	15
GU90402841	34.40	3	GU92602206	33.02	21	GU93305018	33.09	18
GU90403245	34.34	19	GU92602206	33.12	14	GU93305032	33.29	11
GU90403247	33.04	38	GU92602206	34.30	54	GU93305074	33.10	10
GU90403547	33.04	3	GU92602208	33.01	13	GU93450105	33.07	3
GU90405367	34.32	13	GU92602208	33.03	35	GU93450120	33.05	7
GU90407590	33.04	15	GU92602208	34.32	7	GU93450127	33.07	7
GU90706035	33.02	5	GU92602208	34.34	25	GU93450127	33.08	5
GU90706076	33.04	42	GU92602208	34.38	12	GU93450140	33.05	10
GU90706111	34.39	22	GU92602210	33.10	18	GU93450224	33.08	3
GU90706140	34.40	4	GU92602210	33.25	7	GU93450231	33.07	2
GU90706141	33.19	31	GU92602316	33.20	12	GU94321067	34.40	21
GU90706141	34.30	56	GU92602316	33.22	12	GU94321099	33.10	6
GU90706170	34.34	12	GU92602406	34.33	9	GU94321105	34.34	16
GU90706178	34.36	8	GU92602411	33.07	12	GU94322215	33.16	7
GU90706188	33.04	29	GU92602411	33.08	8	GU95000204	33.14	9
GU90706188	34.30	18	GU92602411	33.24	10	GU95000205	33.03	18
GU90706203	33.04	7	GU92602508	34.34	15	GU95000205	33.09	14
GU90706203	34.40	25	GU92602510	34.39	19	GU95000206	33.02	24
GU90706235	34.34	23	GU92602512	34.40	14	GU95000206	33.07	16
GU90706282	34.32	29	GU92602516	33.21	8	GU95000206	33.13	5
GU90706444	34.32	27	GU92603010	34.41	11	GU95000206	33.14	17
GU90706552	33.04	37	GU92603516	34.36	4	GU95000206	33.17	19
GU90714082	33.09	32	GU92630104	33.27	14	GU95000206	33.27	26
GU91180627	34.35	15	GU92630105	33.06	7	GU95000206	33.37	13
GU91180721	33.15	14	GU92630105	33.09	15	GU95000206	34.30	55
GU91180802	33.15	7	GU92630105	34.35	16	GU95000206	34.35	14
GU91180802	33.24	20	GU92630106	33.07	18	GU95000208	33.25	12
GU91180817	33.01	15	GU92630106	33.12	8	GU95000208	33.25	27
GU91180817	33.16	21	GU92630106	33.13	7	GU95000210	33.16	8
GU91181003	33.18	21	GU92630106	33.14	16	GU95001206	33.13	5
GU91181114	33.16	6	GU92630106	33.27	17	GU95001206	33.13	6
GU91181114	33.19	15	GU92630106	34.30	44	GU95001206	34.36	13
GU91181407	33.24	5	GU92630108	33.14	22	GU95004204	33.25	18
GU91182007	33.21	23	GU92630108	33.16	23	GU95004204	33.27	13
GU91182010	34.30	40	GU92630108	33.17	14	GU95004205	33.27	9
GU91182027	33.21	15	GU92630108	33.20	8	GU95004206	33.19	23
GU91551062	33.08	9	GU92630108	33.25	28	GU95004206	33.27	16
GU91551131	33.14	6	GU92630108	33.37	21	GU95004206	34.39	23
GU91600450	34.36	10	GU92630110	33.16	9	GU95004208	33.15	6
GU92201070	33.04	14	GU92630206	33.06	7	GU95004208	33.20	7
GU92201120	34.40	28	GU92630206	33.11	22	GU95004208	33.25	30



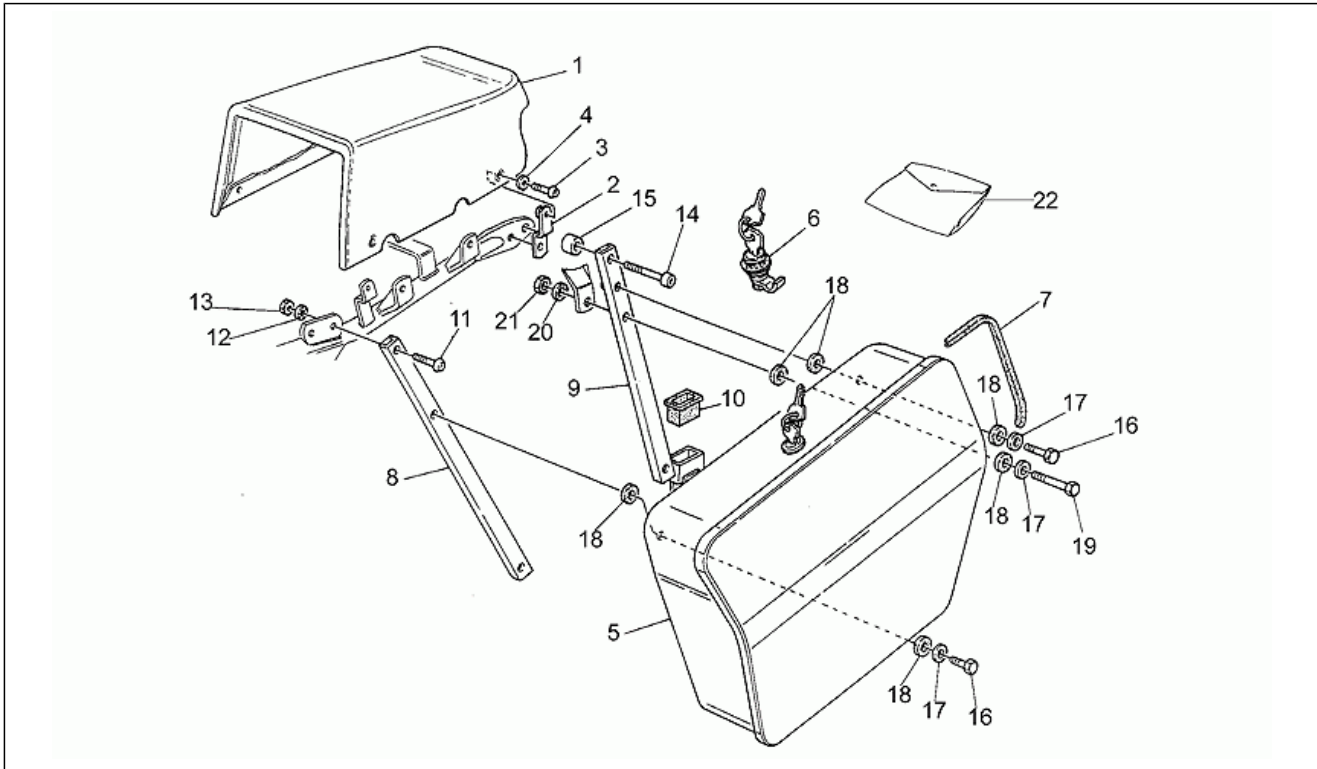
Code	N.Tafel	Pos.	Code	N.Tafel	Pos.	Code	N.Tafel	Pos.
GU95004208	34.38	11	GU96451430	34.32	3	GU98610330	34.34	32
GU95004210	33.10	17	GU96451560	34.32	2	GU98610330	34.40	18
GU95004210	34.34	37	GU96506042	34.41	5	GU98610335	34.32	23
GU95004217	33.20	11	GU96508055	33.04	12	GU98610335	34.40	18
GU95004217	33.21	7	GU96508055	34.32	4	GU98610345	33.13	4
GU95007208	33.10	22	GU96508145	34.41	20	GU98610435	34.34	33
GU95007210	33.07	10	GU96510181	34.41	15	GU98610435	34.40	19
GU95007210	33.16	15	GU96510214	34.41	14	GU98610445	33.01	14
GU95007210	33.24	6	GU98052245	34.35	13	GU98610445	33.16	20
GU95007210	33.25	9	GU98052325	34.30	50	GU98610450	34.34	34
GU95021105	33.03	17	GU98052350	33.13	4	GU98610550	33.15	3
GU95021105	33.09	13	GU98052435	34.38	10	GU98612312	33.13	18
GU95021105	34.35	4	GU98052460	33.21	11	GU98612325	33.29	8
GU95021106	33.01	20	GU98052470	33.20	6	GU98612425	33.17	9
GU95021106	33.02	23	GU98054116	33.25	32	GU98612425	33.22	3
GU95021106	33.03	26	GU98054214	33.09	12	GU98612525	33.25	5
GU95021106	33.19	24	GU98054214	33.19	26	GU98620222	33.27	8
GU95021106	33.37	14	GU98054216	33.03	16	GU98620245	34.35	3
GU95021106	34.30	51	GU98054314	34.34	30	GU98620265	34.36	6
GU95021108	33.01	12	GU98054314	34.39	12	GU98620335	33.23	19
GU95021108	33.02	20	GU98054316	33.03	24	GU98620335	33.24	19
GU95021110	33.07	11	GU98054316	34.34	7	GU98620335	34.39	9
GU95021110	33.08	7	GU98054320	33.01	16	GU98620345	33.19	17
GU95021110	33.25	31	GU98054320	33.14	19	GU98620350	33.15	12
GU95100059	33.19	27	GU98054322	33.07	15	GU98620360	33.27	15
GU95100116	33.29	7	GU98054322	33.08	10	GU98620440	33.24	21
GU95100118	33.08	11	GU98054340	33.01	19	GU98620545	33.10	16
GU95100118	34.35	10	GU98054340	33.07	20	GU98622310	33.11	20
GU95100119	33.02	18	GU98054416	33.25	11	GU98622314	34.40	6
GU95100120	33.06	16	GU98054535	33.16	5	GU98622314	34.40	9
GU95100121	33.03	43	GU98072330	33.19	22	GU98622316	33.03	6
GU95100121	33.07	13	GU98072555	33.25	14	GU98622320	34.36	12
GU95100121	33.13	6	GU98072565	33.16	19	GU98622416	33.02	25
GU95100139	33.03	25	GU98074312	33.13	23	GU98622420	33.25	4
GU95100141	33.01	17	GU98074316	33.37	19	GU98622430	33.03	31
GU95100141	33.07	19	GU98074320	33.19	20	GU98812416	33.24	9
GU95100141	33.14	15	GU98074420	33.37	12	GU98812420	33.24	7
GU95100235	33.14	21	GU98074530	33.18	15	GU98812420	33.25	19
GU95100250	33.17	11	GU98110202	33.25	8	GU98820435	33.14	20
GU95100250	33.18	21	GU98200214	33.18	9	GU98822316	34.33	21
GU95100251	33.17	11	GU98200410	33.14	8	GU99105117	33.16	25
GU95100251	33.18	21	GU98230612	33.17	18	GU99200413	33.09	30
GU95100256	33.24	22	GU98230612	34.35	8	GU99210319	33.02	19
GU95100256	33.37	11	GU98230616	33.03	32	GU99220316	33.02	3
GU95100337	33.16	29	GU98230616	33.13	10			
GU95100523	33.10	24	GU98230619	33.02	26			
GU95100709	34.32	31	GU98230622	33.13	11			
GU95120105	33.15	4	GU98230622	33.27	3			
GU95120105	33.25	6	GU98230630	33.14	18			
GU95129080	33.14	10	GU98230822	33.15	5			
GU95129100	34.35	9	GU98230822	33.24	27			
GU95129115	34.33	22	GU98230830	33.01	11			
GU95129180	33.18	16	GU98230830	33.26	9			
GU95129180	34.32	38	GU98270621	33.02	29			
GU95129180	34.41	13	GU98290513	33.06	6			
GU95129260	33.19	19	GU98290516	33.06	6			
GU95129260	34.30	47	GU98290608	33.37	15			
GU95187006	34.39	13	GU98310611	33.29	6			
GU95401218	33.25	24	GU98326014	33.02	15			
GU95500222	33.10	25	GU98326016	33.01	3			
GU95500222	34.34	18	GU98326016	33.03	42			
GU95520316	34.30	37	GU98326016	33.14	13			
GU95780271	34.34	17	GU98610125	33.27	12			
GU95990027	33.19	9	GU98610325	34.32	16			
GU95990028	33.17	7	GU98610325	34.41	16			
GU95990028	33.18	11	GU98610330	33.15	15			
GU96451316	33.02	22	GU98610330	34.32	37			

Groep	FRAME
Code	33.01
Beschrijving	Side cases
Revisie	1



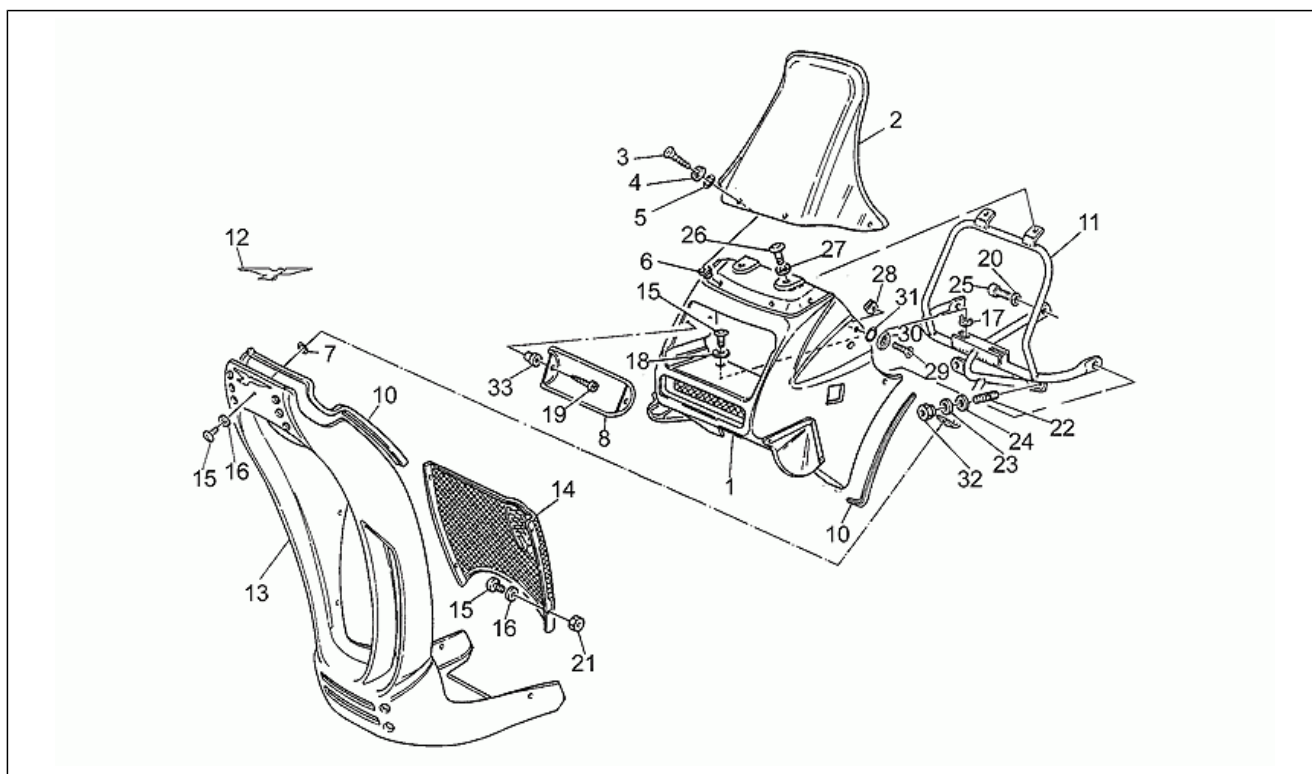
Pos.	Code	Beschrijving	Aant.	Varianten
1	GU31472635	Bedekking radio ruw	1	
2	GU31463935	Beugel	2	Kleur van het voertuig:Police Cyan[p.c]
3	GU98326016	Bout	4	Kleur van het voertuig:Milk white 410[m.w]
4	GU29577860	Sluitring	4	
5	GU31485735	Koffer cpl.azuurbl./wit	1	Kleur van het voertuig:Police Cyan[p.c]
5	GU31485736	Koffer cpl.wit	1	Kleur van het voertuig:Milk white 410[m.w]
5	GU31485737	Koffer cpl.wit/blauwe band	1	Kleur van het voertuig:Milk white 410[m.w]
5	GU31485738	Koffer cpl.wit/zwarte band	1	Kleur van het voertuig:Milk white 410[m.w]
5	GU31485739	Koffer cpl.blauw	1	Kleur van het voertuig:Carabinieri Blue 240[c.b] Technical Specifications:See spare parts comm.n.003 of 1998[00398N]
5	GU89000125	Koffer cpl.blauw	1	Kleur van het voertuig:Roma Blue 230[r.b] Technical Specifications:See spare parts comm.n.003 of 1998[00398N]
6	GU31489935	Slot	1	
7	GU31483935	Pakking	1	
8	GU31485635	Beugel voor.	1	
9	GU31486035	Beugel acht.	1	
10	GU28584845	Rubbetje	1	
11	GU98230830	Bout	1	
12	GU95021108	Elastische sluitring	2	
13	GU92602208	Moer	2	
14	GU98610445	Bout	1	
15	GU91180817	Afstandhouder	1	
16	GU98054320	Zeskantbout	4	
17	GU95100141	Sluitring 6,4x12x1,2	5	
18	GU93110060	Rubbetje	10	
19	GU98054340	Bout	1	
20	GU95021106	Getande sluitring	1	

Groep	FRAME
Code	33.01
Beschrijving	Side cases
Revisie	1



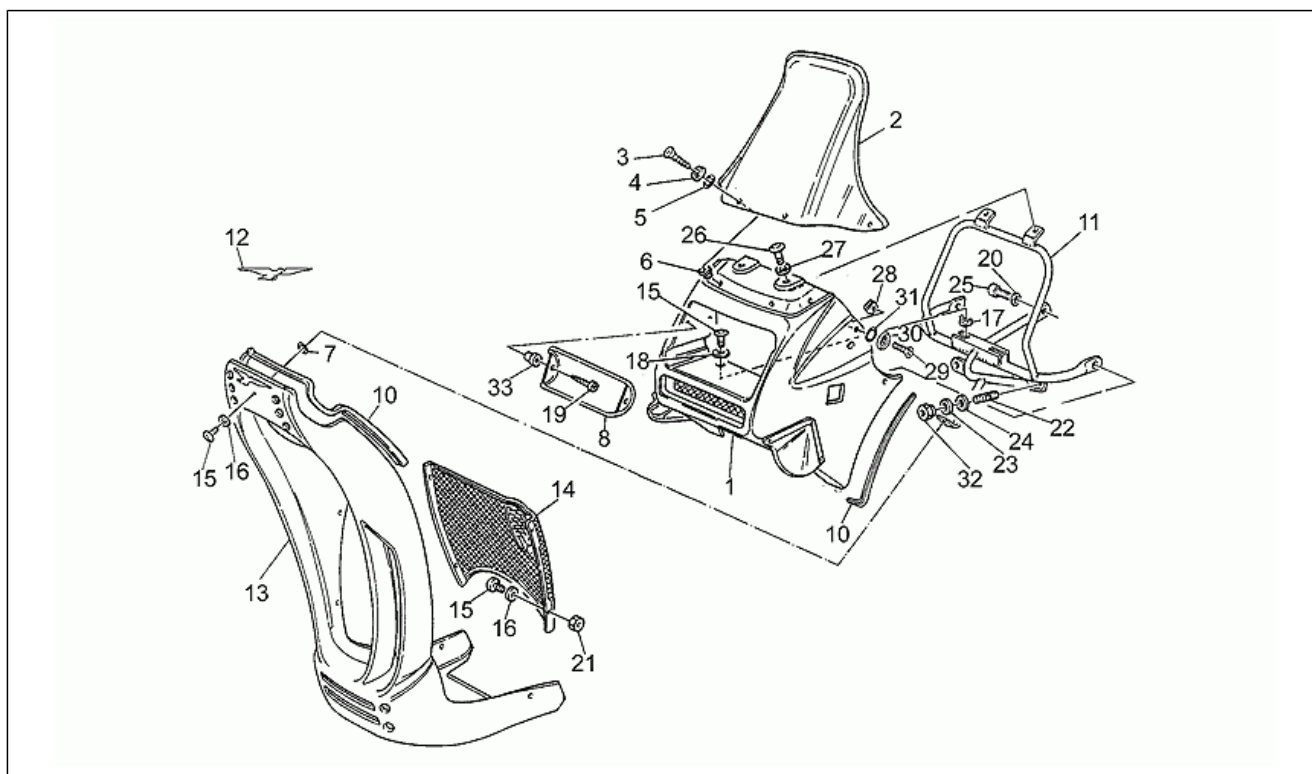
Pos.	Code	Beschrijving	Aant.	Varianten
21	GU92602206	Moer	1	
22	GU31439937	Kit veiligheidssluiting	1	Technical Specifications: See spare parts comm.n.038 of 2000[03800N], From frame LX16500[T2]

Groep	FRAME
Code	33.02
Beschrijving	Front body
Revisie	1



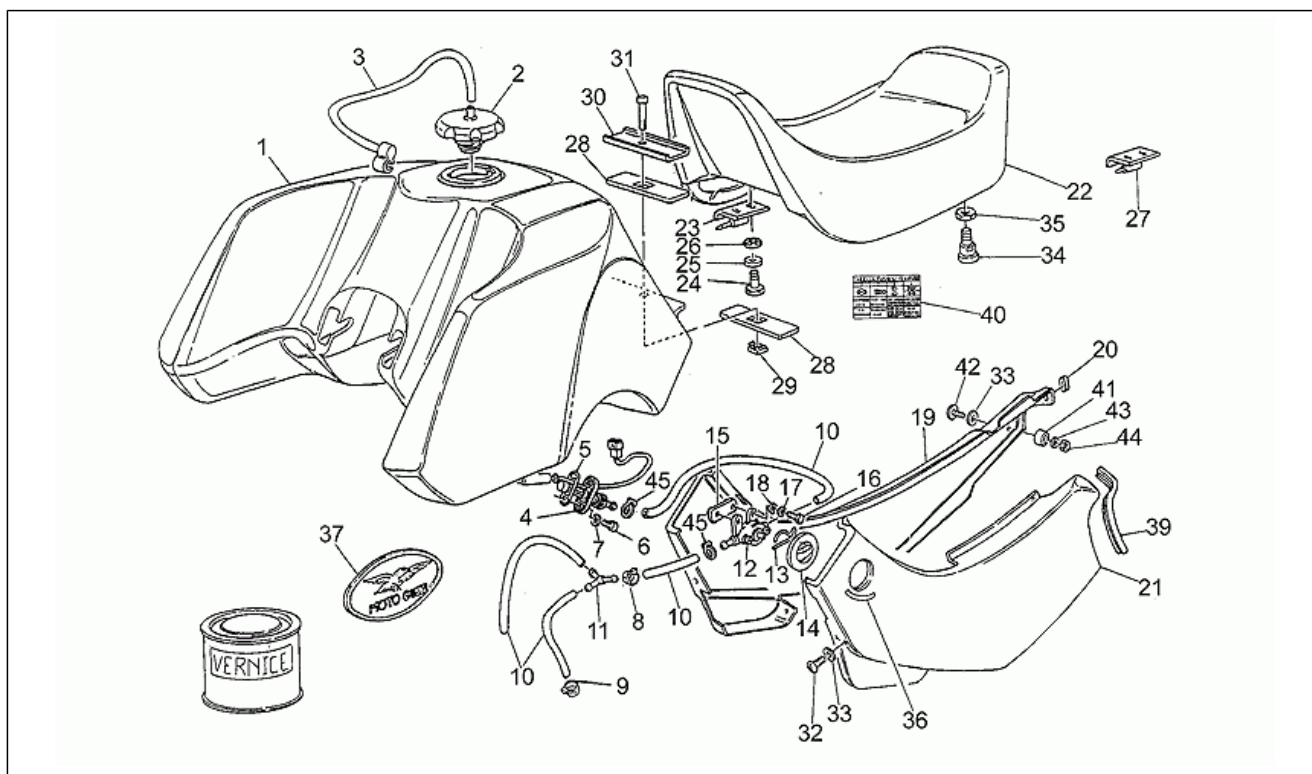
Pos.	Code	Beschrijving	Aant.	Varianten
1	GU31575335	Kapje	1	Kleur van het voertuig:Police Cyan[p.c]
1	GU315753351	Kapje ruw	1	Kleur van het voertuig:Blank[gr]
1	GU31575336	Kapje	1	Kleur van het voertuig:Milk white 410[m.w]
1	GU31575339	Kapje	1	Kleur van het voertuig:Carabinieri Blue 240[c.b] Technical Specifications:See spare parts comm.n.003 of 1998[00398N]
1	GU89000012	Kapje	1	Kleur van het voertuig:Roma Blue 230[r.b] Technical Specifications:See spare parts comm.n.003 of 1998[00398N]
2	GU31577235	Windscherm	1	
3	GU99220316	Zelftap. bout	2	
4	GU14577850	Sluitring	2	
5	GU90706035	O-ring	2	
6	GU27576016	Geschroefdr. inzetstuk	2	
7	GU93110060	Rubbetje	5	
8	GU31728030	Rooster	1	
10	GU00823931077	Pakking	1	
11	GU31578636	Steun kapje	1	
11	GU31578636	Steun kapje	1	Technical Specifications:For generator/regulator DUCATI[D]
12	GU28917570	Decalco "Aquila" wit	1	
12	GU28917571	Decalco "Aquila" goud	1	
13	GU31578534	Punt bekleding	1	Kleur van het voertuig:Blank[gr] Technical Specifications:See spare parts comm.n.038 of 2000[03800N], From frame LX16500[T2]
13	GU31578535	Punt bekleding	1	Kleur van het voertuig:Police Cyan[p.c] Technical Specifications:Until frame <LX16499[T1]
13	GU315785351	Punt bekleding	1	Kleur van het voertuig:Blank[gr] Technical Specifications:Until frame <LX16499[T1]
13	GU31578536	Punt bekleding	1	Kleur van het voertuig:Milk white 410[m.w]
13	GU31578539	Punt bekleding	1	Kleur van het voertuig:Carabinieri Blue 240[c.b]

Groep	FRAME
Code	33.02
Beschrijving	Front body
Revisie	1



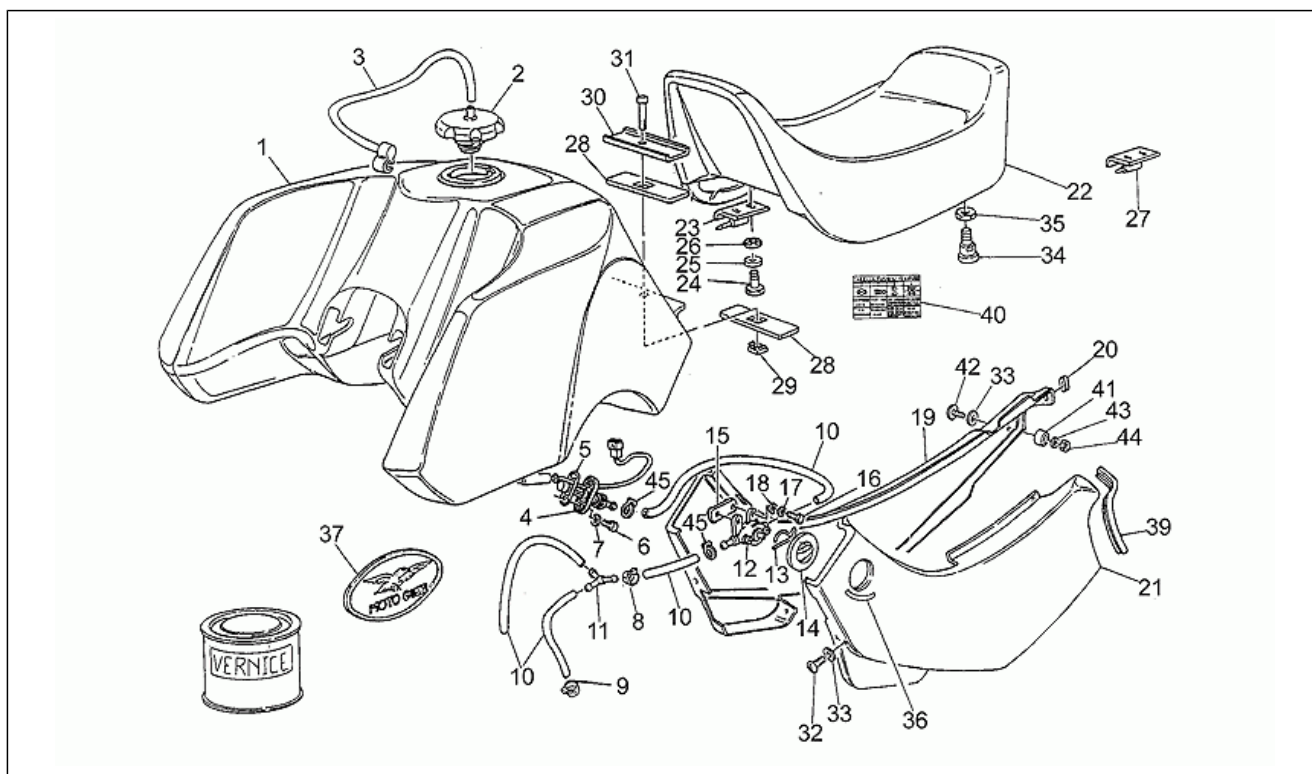
Pos.	Code	Beschrijving	Aant.	Varianten
				Technical Specifications: See spare parts comm.n.003 of 1998[00398N]
13	GU89000010	Punt bekleding	1	Kleur van het voertuig: Roma Blue 230[r.b] Technical Specifications: See spare parts comm.n.003 of 1998[00398N]
13	GU89000368	Punt bekleding	1	Kleur van het voertuig: Police Cyan[p.c] Technical Specifications: See spare parts comm.n.038 of 2000[03800N], From frame LX16500[T2]
14	GU31192530	Rooster	1	
15	GU98326014	Bout	13	
16	GU66478610	Sluitring in nylon 6X17X1	9	
17	GU92660601	Moer in kooi	2	
18	GU95100119	Sluitring 6,25X11X1	2	
19	GU99210319	Zelftap. bout	2	
20	GU95021108	Elastische sluitring	2	
21	GU92602206	Moer	4	
22	GU96451316	Stiftbout	2	
23	GU95021106	Getande sluitring	2	
24	GU95000206	Sluitring	2	
25	GU98622416	Bout	2	
26	GU98230619	Bolbout met binnenzeskant	4	
27	GU61013800	Speciale sluitring	4	
28	GU92680060	Clip	4	
29	GU98270621	Bout	2	
30	GU18577850	Geprofil. sluitring	2	
31	GU45212400	O-ring	2	
32	GU92750061	Moer	2	
33	GU31922235	Blokje	2	

Groep	FRAME
Code	33.03
Beschrijving	Central body - Saddle
Revisie	1



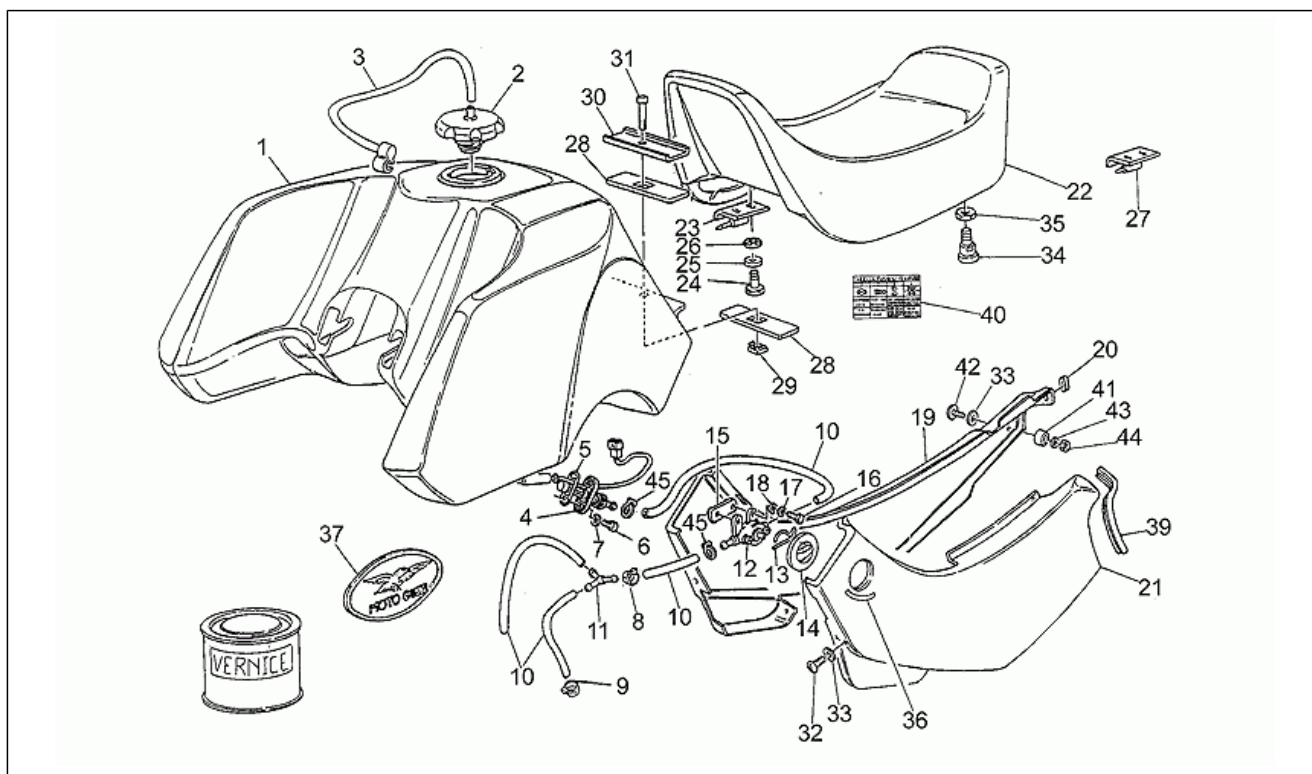
Pos.	Code	Beschrijving	Aant.	Varianten
1	GU311002301	Brandstoftank ruw	1	Kleur van het voertuig:Blank[gr]
1	GU31100235	Benzinetank azuurbl./wit	1	Kleur van het voertuig:Police Cyan[p.c]
1	GU31100236	Brandstoftank wit	1	Kleur van het voertuig:Milk white 410[m.w]
1	GU31100237	Benzinetank wit/blauw R.	1	Kleur van het voertuig:Milk white 410[m.w]
1	GU31100238	Benzinetank wit/zwart	1	Kleur van het voertuig:Milk white 410[m.w]
1	GU31100239	Benzinetank blauw Carabinieri	1	Kleur van het voertuig:Carabinieri Blue 240[c.b] Technical Specifications:See spare parts comm.n.003 of 1998[00398N]
1	GU89000001	Benzinetank blauw Roma	1	Kleur van het voertuig:Roma Blue 230[r.b] Technical Specifications:See spare parts comm.n.003 of 1998[00398N]
2	GU66103915	Dop brandstoftank	1	
3	GU66109715	Ontluchtingsbuis	1	
4	GU31105330	Benzinekraan	1	
5	GU31105830	Pakking	1	
6	GU98622316	Binnenzeskantbout	2	
7	GU61013800	Speciale sluitring	2	
8	GU28157950	Klikband 12,5x8	3	Technical Specifications:See spare parts comm.n.038 of 2000[03800N], From frame LX16500[T2]
8	GU29108550	Klikband 11,5x6	3	Technical Specifications:Until frame <LX16499[T1]
9	GU28157950	Klikband 12,5x8	2	
10	GU00823956060	Buis SAEJ30R76X121/4"	1	Technical Specifications:See spare parts comm.n.038 of 2000[03800N], From frame LX16500[T2]
11	GU31106630	Driewegsverbinding	1	
12	GU51105401	Benzinekraan	1	
13	GU51105900	Veer	1	
14	GU51105600	Commando kraan	1	
15	GU31101930	Plaatje	1	Technical Specifications:Until frame <LX16410[T3]
15	GU31101931	Plaatje	1	Technical Specifications:See spare parts comm.n.038 of 2000[03800N], From frame LX16411[T4]

Groep	FRAME
Code	33.03
Beschrijving	Central body - Saddle
Revisie	1



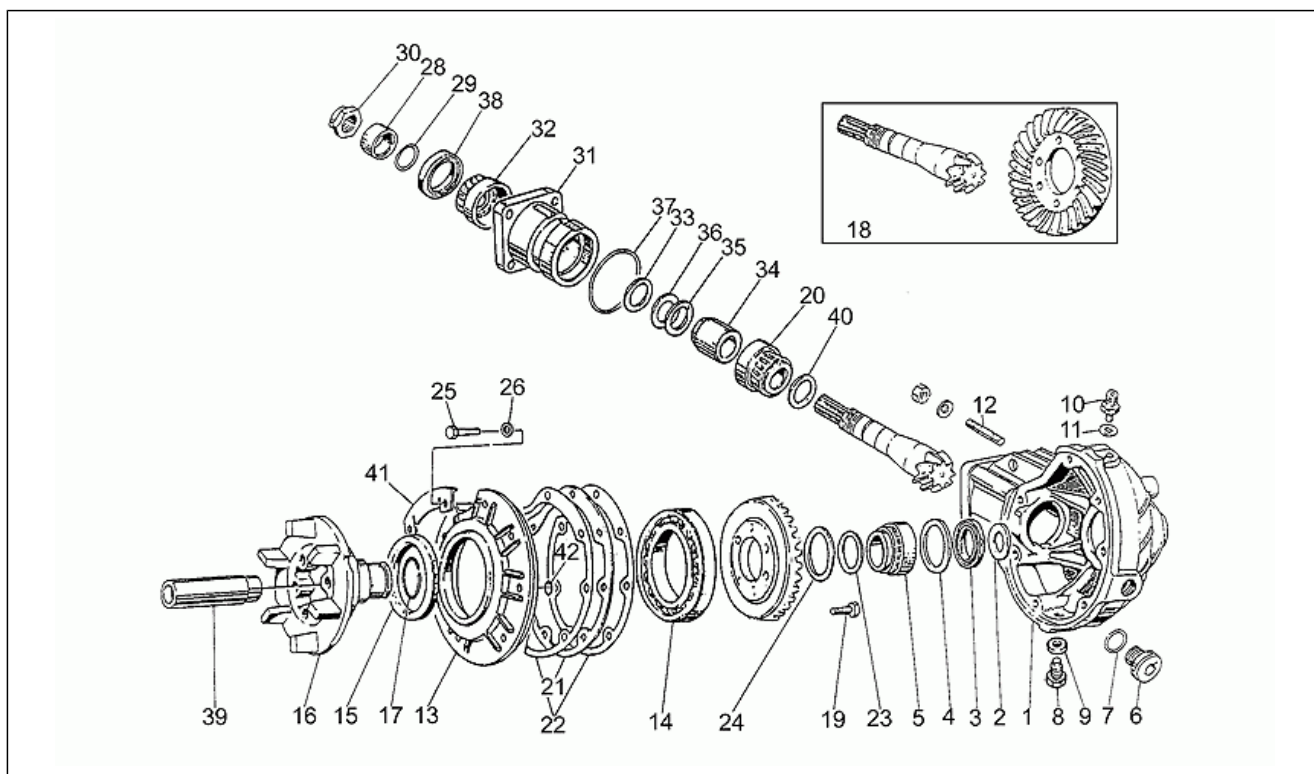
Pos.	Code	Beschrijving	Aant.	Varianten
16	GU98054216	Bout	2	
17	GU95021105	Getande sluitring	2	
18	GU95000205	Sluitring	2	
19	GU31476235	Zijplaatje re azuurbl./wit	1	Kleur van het voertuig:Police Cyan[p.c]
19	GU314762351	Zijplaatje re ruw	1	Kleur van het voertuig:Blank[gr]
19	GU31476236	Zijplaatje re wit	1	Kleur van het voertuig:Milk white 410[m.w]
19	GU31476237	Zijplaatje re wit/blauw r.	1	Kleur van het voertuig:Milk white 410[m.w]
19	GU31476238	Zijplaatje re wit/zwart	1	Kleur van het voertuig:Milk white 410[m.w]
19	GU31476239	Zijplaatje re blauw Carabinieri	1	Kleur van het voertuig:Carabinieri Blue 240[c.b] Technical Specifications:See spare parts comm.n.003 of 1998[00398N]
19	GU89000002	Zijplaatje re blauw Roma	1	Kleur van het voertuig:Roma Blue 230[r.b] Technical Specifications:See spare parts comm.n.003 of 1998[00398N]
20	GU50740600	Rubbertje	1	
21	GU31476335	Zijplaatje li azuurbl./wit	1	Kleur van het voertuig:Police Cyan[p.c]
21	GU314763351	Zijplaatje li ruw	1	Kleur van het voertuig:Blank[gr]
21	GU31476336	Zijplaatje li wit	1	Kleur van het voertuig:Milk white 410[m.w]
21	GU31476337	Zijplaatje li wit/blauw r.	1	Kleur van het voertuig:Milk white 410[m.w]
21	GU31476338	Zijplaatje li wit/zwart	1	Kleur van het voertuig:Milk white 410[m.w]
21	GU31476339	Zijplaatje li blauw Carabinieri	1	Kleur van het voertuig:Carabinieri Blue 240[c.b] Technical Specifications:See spare parts comm.n.003 of 1998[00398N]
21	GU89000003	Zijplaatje li blauw r.	1	Kleur van het voertuig:Roma Blue 230[r.b] Technical Specifications:See spare parts comm.n.003 of 1998[00398N]
22	GU31460537	Eenpersoonszadel	1	Technical Specifications:See spare parts comm.n.038 of 2000[03800N], From frame LX16500[T2]
23	GU28461300	Scharnier voor.zadel	1	
24	GU98054316	Zeskantbout	4	

Groep	FRAME
Code	33.03
Beschrijving	Central body - Saddle
Revisie	1



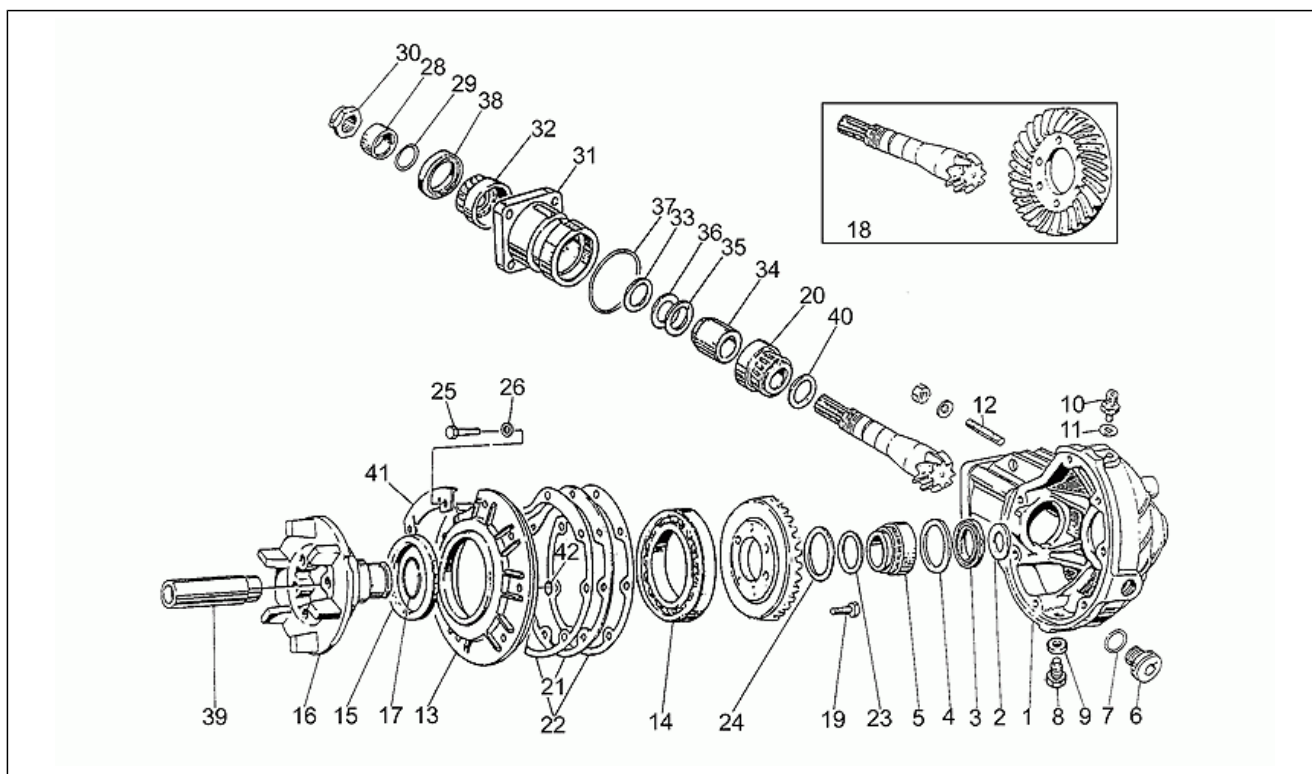
Pos.	Code	Beschrijving	Aant.	Varianten
25	GU95100139	Sluitring 6,5X17X1.5	4	
26	GU95021106	Getande sluitring	4	
27	GU28461345	Scharnier acht.zadel	1	
28	GU27103415	Rubbertje	2	
29	GU92660801	Moer in kooi	1	
30	GU27103515	Plaatje	1	
31	GU98622430	Bout	1	
32	GU98230616	Bout	4	
33	GU66478610	Sluitring in nylon 6X17X1	6	
34	GU28103260	Kolommetje	1	
35	GU92602208	Moer	1	
36	GU51921400	Decalco "On-Off"	1	
37	GU31917330	Dec. "MotoGuzzi"	2	
39	GU00823931077	Pakking	1	
40	GU31945435	Decalco schema zekeringen	1	
41	GU31103835	Buffer	2	Technical Specifications: See technical comm.n.296 of 1995[29695C]
42	GU98326016	Bout	2	Technical Specifications: See technical comm.n.296 of 1995[29695C]
43	GU95100121	Sluitring 5,3x10x0,5	2	Technical Specifications: See technical comm.n.296 of 1995[29695C]
44	GU92630506	Zelfborg.moer	2	Technical Specifications: See technical comm.n.296 of 1995[29695C]
45	GU19609600	Klemmetje	3	

Groep	FRAME
Code	33.04
Beschrijving	Bevel gear
Revisie	1



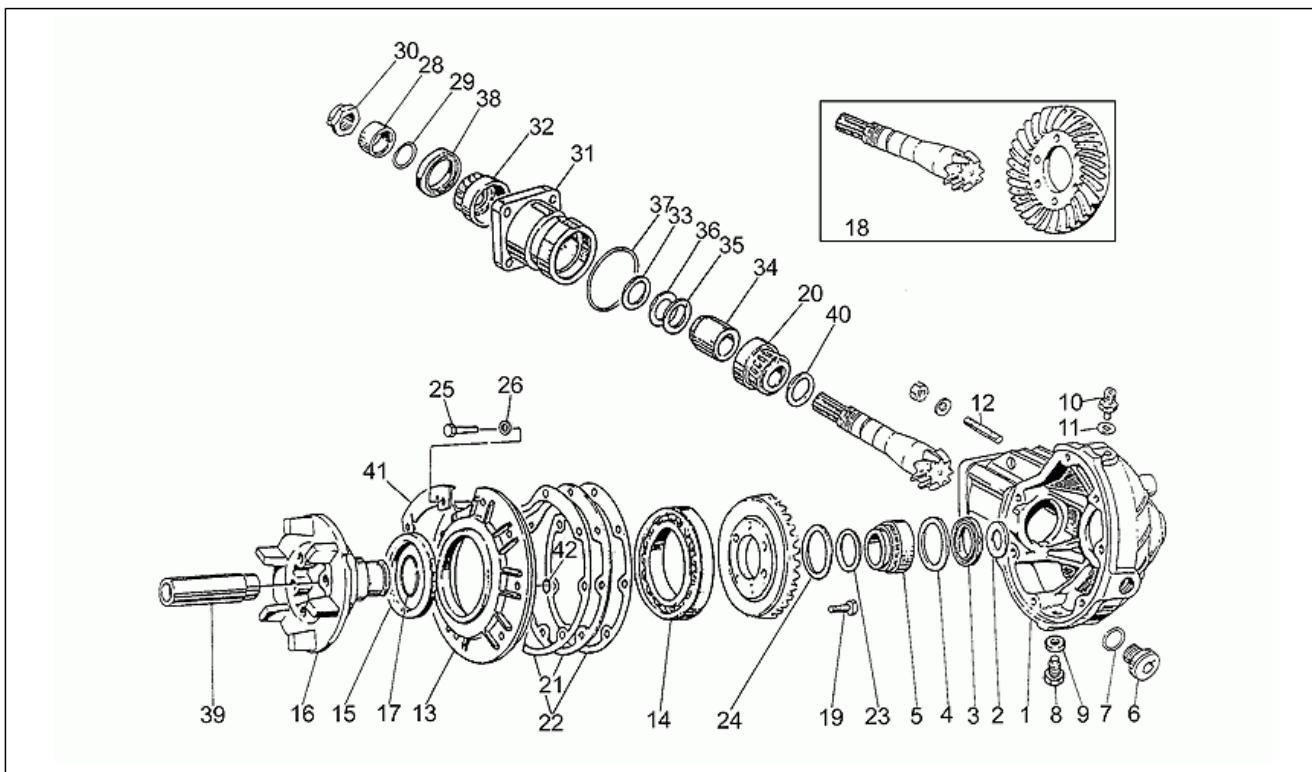
Pos.	Code	Beschrijving	Aant.	Varianten
1	GU31350331	Transmissiedeksel	1	
2	GU19351900	Steunende sluitring	1	
3	GU90403547	Dichtingsring 35x47x7	1	
4	GU19351100	Steunende sluitring	1	
5	GU92252235	Rollager 35x50x17	1	
6	GU31351200	Dop olietoevoer	1	
7	GU90706203	OR-ring 20,24X2,62	1	
8	GU31003766	Afvoerdop olie M10x1	1	
9	GU10528900	Pakking in aluminium	1	
10	GU31206500	Dop ontluchting	1	
11	GU10528900	Pakking in aluminium	1	
12	GU96508055	Stiftbout	4	
13	GU27350410	Bedekking	1	
14	GU92201070	Kogellager 70x110x13	1	
15	GU90407590	Dichtingsring 75x90x8	1	
16	GU19351401	Pin	1	
17	GU90353030	Blokkeerring	1	
18	GU20354621	Conisch koppel Z=8/31	1	Technical Specifications: See spare parts comm.n.038 of 2000[03800N]
19	GU19356320	Bout	6	
20	GU92249223	Conische kogellager	1	
21	GU19355400	Dikte 0,8 mm	1	
21	GU19355402	Dikte 0,9 mm	1	
21	GU19355404	Dikte 1 mm	1	
21	GU19355406	Dikte 1,1 mm	1	
21	GU19355408	Dikte 1,2 mm	1	
21	GU19355410	Dikte 1,3 mm	1	
21	GU19355411	Dikte 1,4 mm	1	

Groep	FRAME
Code	33.04
Beschrijving	Bevel gear
Revisie	1



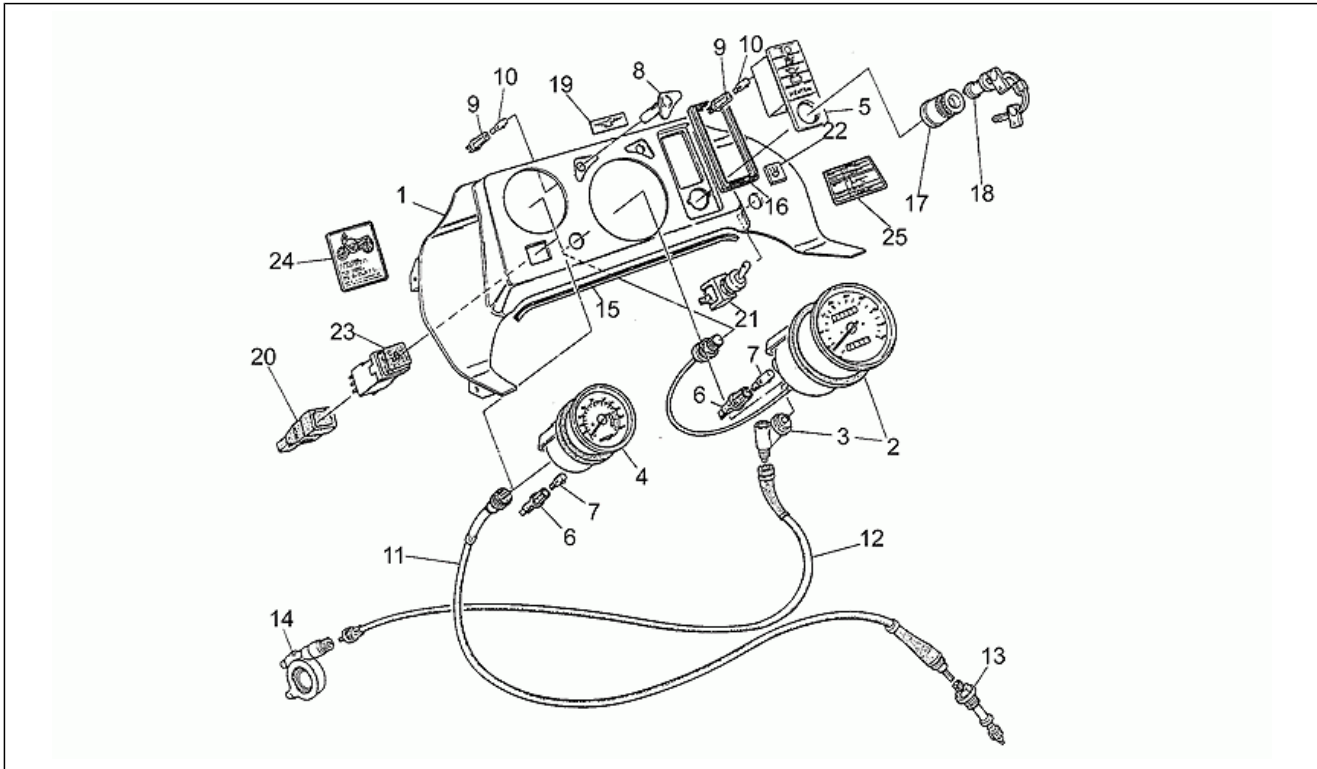
Pos.	Code	Beschrijving	Aant.	Varianten
21	GU19355412	Dikte 1,5 mm	1	
21	GU19355413	Dikte 1,6 mm	1	
22	GU19350700	Pakking	2	
23	GU19352300	Schraapring	1	
24	GU19353500	Schraapring	1	
25	GU19357660	Bout	7	
26	GU61270300	Elastische sluitring 8x15x0,3	7	
28	GU19356801	Afstandhouder	1	
29	GU90706188	Dichtingsring 18,77X1,78	1	
30	GU19356700	Moer	1	
31	GU19352401	Cover lager	1	
32	GU92249220	Rollager 20x47x14	1	
33	GU19355300	Dikte 1 mm	2	
33	GU19355301	Dikte 1,1 mm	2	
33	GU19355302	Dikte 1,2 mm	2	
33	GU19355303	Dikte 1,3 mm	2	
33	GU19355304	Dikte 1,4 mm	2	
33	GU19355305	Dikte 1,5 mm	2	
33	GU19355306	Dikte 1,6 mm	2	
33	GU19355307	Dikte 1,7 mm	2	
33	GU19355308	Dikte 1,8 mm	2	
33	GU19355309	Dikte 1,9 mm	2	
34	GU19355121	Afstandhouder	1	
35	GU19355200	Sluitring regel. 0,1 mm	1	
36	GU19355202	Sluitring regel. 0,15 mm	1	
37	GU90706552	Dichtingsring	1	
38	GU90403247	Dichtingsring	1	
39	GU27634110	Afstandhouder	2	

Groep	FRAME
Code	33.04
Beschrijving	Bevel gear
Revisie	1



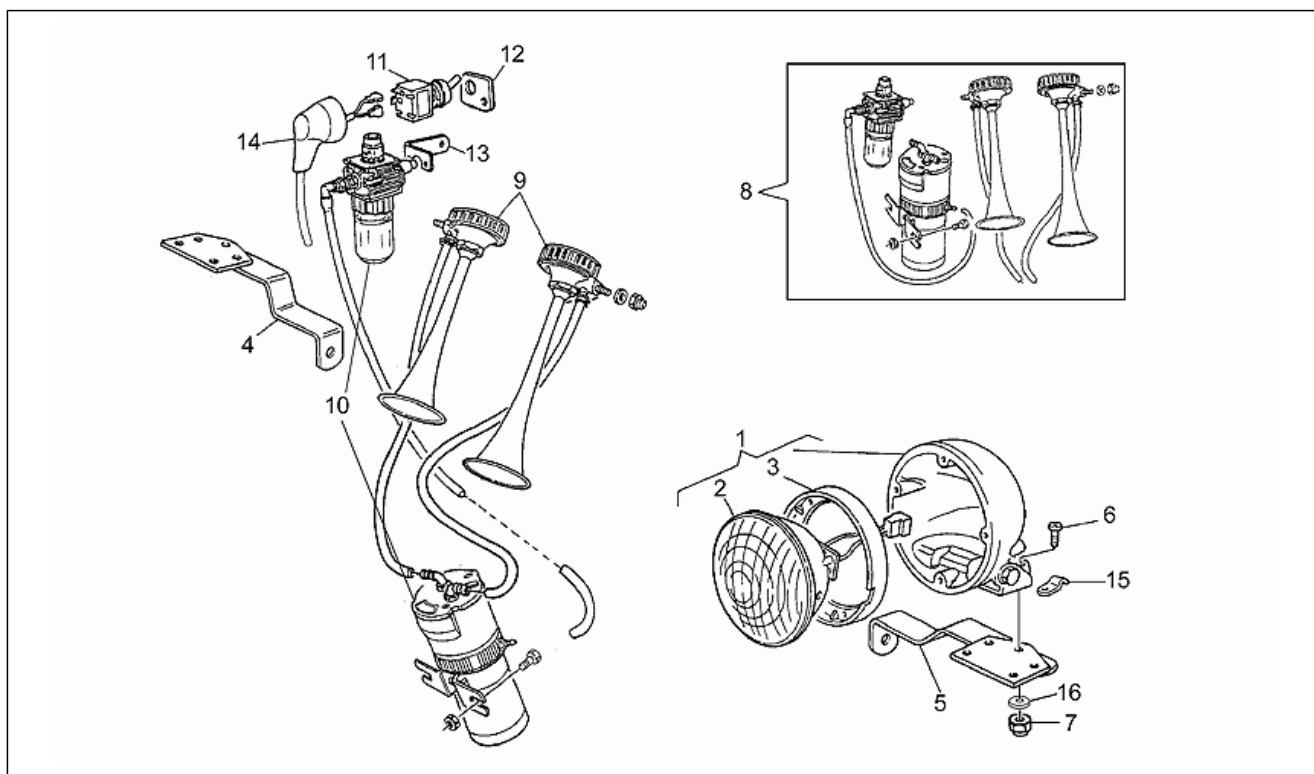
Pos.	Code	Beschrijving	Aant.	Varianten
40	GU19355320	Dikte 1 mm	1	
40	GU19355321	Dikte 1,1 mm	1	
40	GU19355322	Dikte 1,2 mm	1	
40	GU19355323	Dikte 1,3 mm	1	
40	GU19355324	Dikte 1,4 mm	1	
40	GU19355325	Dikte 1,5 mm	1	
40	GU19355326	Dikte 1,6 mm	1	
40	GU19355327	Dikte 1,7 mm	1	
40	GU19355328	Dikte 1,8 mm	1	
40	GU19355329	Dikte 1,9 mm	1	
41	GU27357411	Plaatje	1	
42	GU90706076	OR-ring	2	

Groep	FRAME
Code	33.05
Beschrijving	Dashboard
Revisie	1



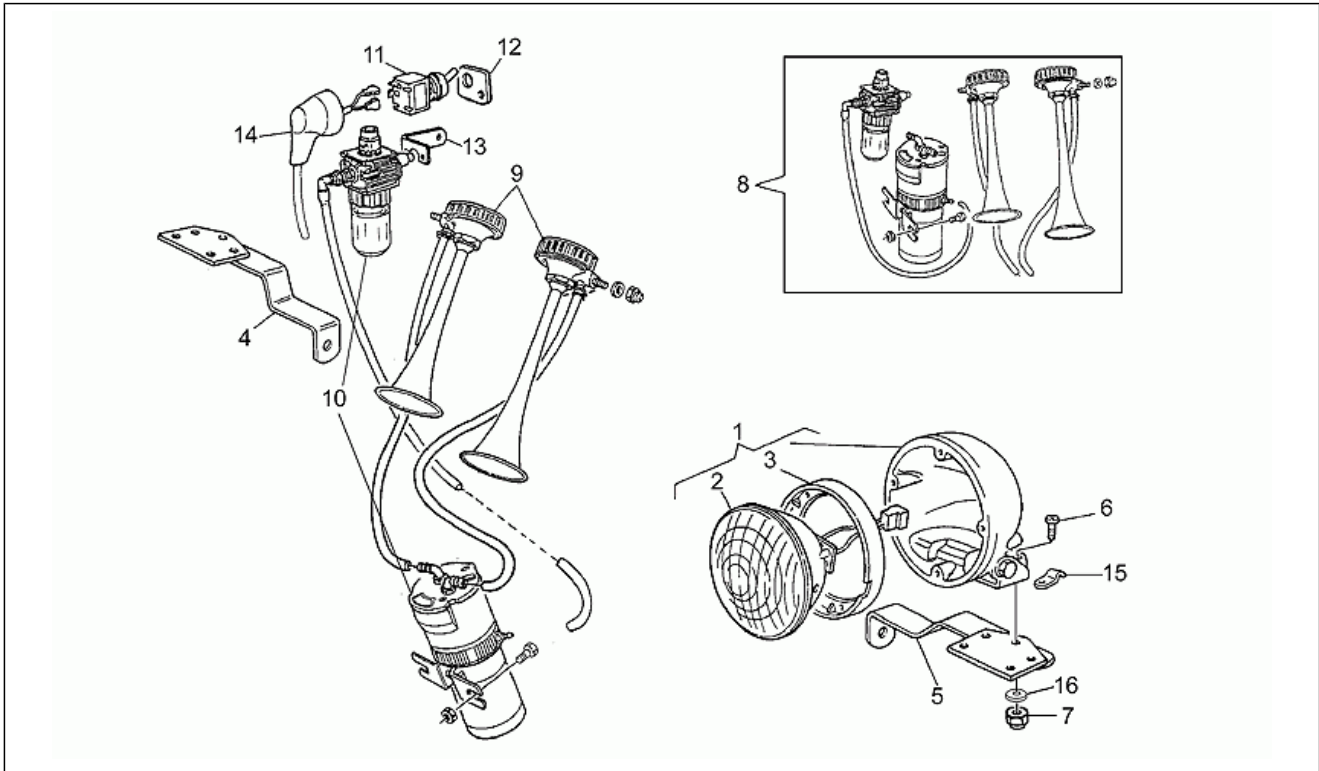
Pos.	Code	Beschrijving	Aant.	Varianten
1	GU31501635	Basis instrumentenhouder	1	
2	GU27761515	Snelheidsmeter	1	
3	GU23768310	Overbrenging 60°	1	
4	GU27767275	Toerenteller	1	
5	GU31766930	Kast controlelampen	1	
6	GU14768650	Lamphouder	2	
7	GU93450120	Lamp 12v-3w	2	
8	GU65758970	Houder controlel. knipperl.	2	
9	GU19768580	Lamphouder	7	
10	GU93450140	Lamp	7	
11	GU27768185	Transm. toerenteller	1	
12	GU27760410	Transm. snelheidsmeter	1	
13	GU14769200	Overbrenging Z=14	1	
14	GU39762501	Overbrenging kilometerteller	1	
15	GU00823931070	Pakking	1	
16	GU31501730	Pakking	1	
17	GU31735330	Schakelaar	1	
18	GU31735630	Startblok	1	
19	GU31922530	Decalco "Aquila"	1	
20	GU35755780	Bescherming in rubber	1	
21	GU31745735	Schakelaar lichten strobo	1	
22	GU31917535	Decalco "Lichten"	1	
23	GU28745761	Schakelaar 4 knipperlichten	1	
24	GU31926035	Decalco bandenspanning	1	
25	GU31923935	Decalco tanken/bijvullen	1	

Groep	FRAME
Code	33.06
Beschrijving	Blue headlight/horns
Revisie	1



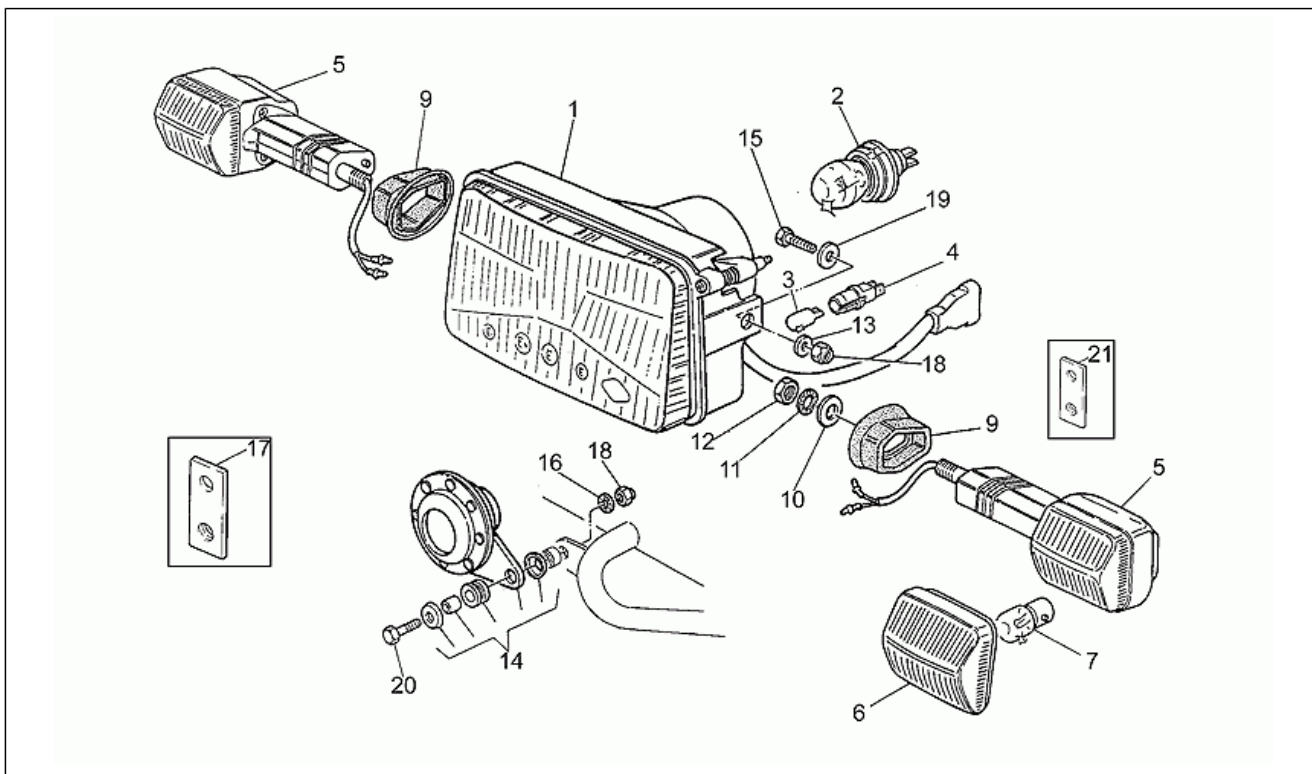
Pos.	Code	Beschrijving	Aant.	Varianten
1	GU03743380	Koplamp strobo blauw	2	Technical Specifications: See spare parts comm.n.038 of 2000[03800N], Brand SONORA[S], From frame LX16500[T2]
1	GU31743335	Halogeenlamp cpl.blauw CPU	2	Technical Specifications: Brand VAMA[V]
1	GU31743340	Halogeenlamp cpl.blauw	2	Technical Specifications: See spare parts comm.n.014 of 1997[01497N], Brand SONORA[S], Until frame <LX16499[T1]
1	GU31743341	Halogeenlamp cpl.rood	2	Technical Specifications: See spare parts comm.n.038 of 2000[03800N], Brand SONORA[S], From frame LX16500[T2]
2	GU23743392	Halogeenlamp extra blauw CPU	2	
3	GU23742890	Omlijsting licht	2	
4	GU31743535	Steunplaat re	1	Technical Specifications: Brand VAMA[V]
4	GU31743537	Steunplaat	1	Technical Specifications: See spare parts comm.n.014 of 1997[01497N], Brand SONORA[S]
5	GU31743537	Steunplaat	1	Technical Specifications: See spare parts comm.n.014 of 1997[01497N], Brand SONORA[S]
5	GU31743635	Steunplaat li	1	Technical Specifications: Brand VAMA[V]
6	GU98290513	Bout	4	
6	GU98290516	Bout	2	
7	GU92630105	Moer	6	Technical Specifications: Brand VAMA[V]
7	GU92630206	Moer M6x1	2	Technical Specifications: See spare parts comm.n.014 of 1997[01497N], Brand SONORA[S]
8	GU31746035	Groep hoorns	1	
9	GU31743735	Hoorns met buis	1	
10	GU31746036	Elektrische compressor	1	
11	GU31745735	Schakelaar lichten strobo	1	
12	GU31433835	Houder schakelaar	1	
13	GU31744035	Plaatje	1	
14	GU23707100	Kapje	1	
15	GU93301315	Beugel	1	

Groep	FRAME
Code	33.06
Beschrijving	Blue headlight/horns
Revisie	1



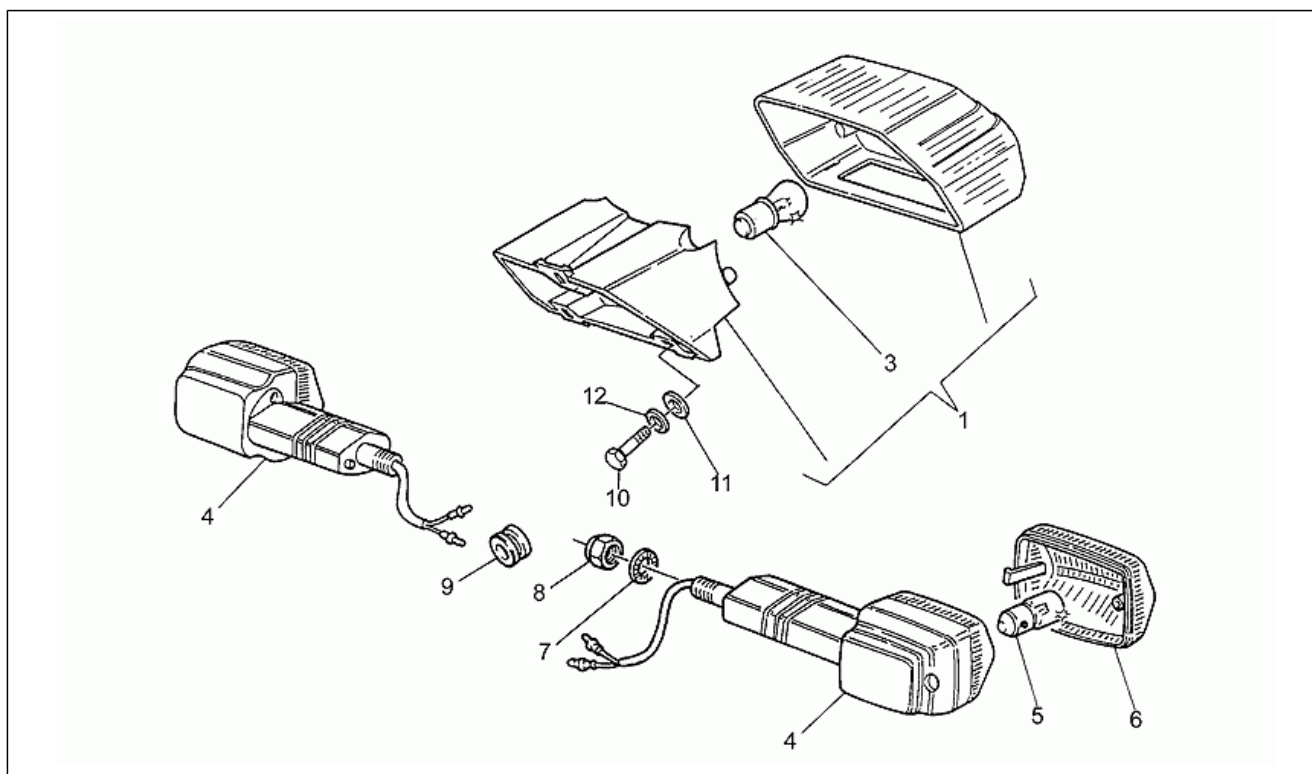
Pos.	Code	Beschrijving	Aant.	Varianten
16	GU95100120	Sluitring	2	Technical Specifications: See spare parts comm.n.014 of 1997[01497N], Brand SONORA[S]

Groep	FRAME
Code	33.07
Beschrijving	Headlight/Horn
Revisie	1



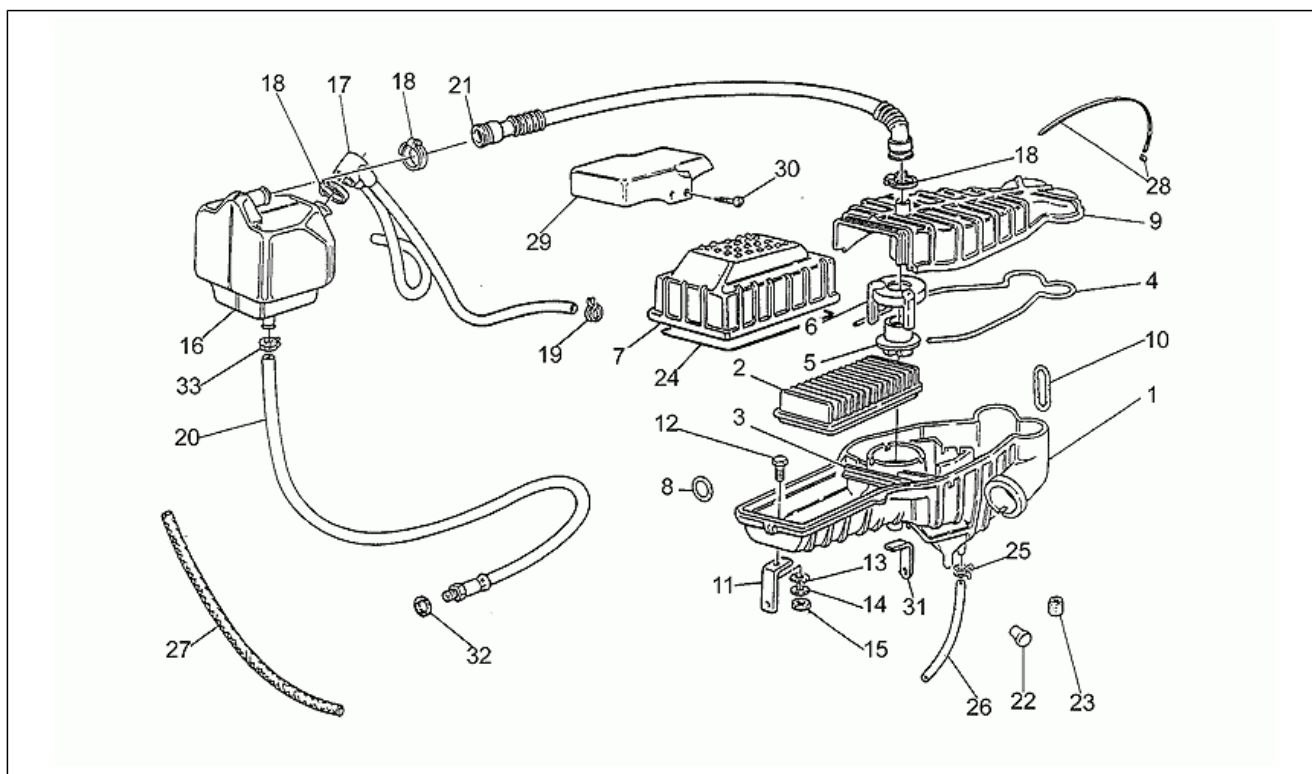
Pos.	Code	Beschrijving	Aant.	Varianten
1	GU27740515	Voorlicht	1	
2	GU93450231	Lamp 12V-45/40W	1	
3	GU93450105	Lamp	1	
4	GU14768650	Lamphouder	1	
5	GU31750630	Knipperlicht	2	
6	GU31753730	Glas knipperlicht	2	
7	GU93450127	Lamp	2	
9	GU31753230	Houder knipperlicht	2	
10	GU95007210	Sluitring	2	
11	GU95021110	Getande sluitring	2	
12	GU92602411	Moer	2	
13	GU95100121	Sluitring 5,3x10x0,5	2	
14	GU27743715	Claxon	1	Technical Specifications: 1A Series, brand CEV[1A]
14	GU30743700	Claxon	1	Technical Specifications: See spare parts comm.n.014 of 1997[01497N], 2A Series, brand VOXBELL[2A]
15	GU98054322	Zeskantbout	3	
16	GU95000206	Sluitring	1	
17	GU31576135	Plaatje	1	Technical Specifications: 1A Series, brand CEV[1A]
18	GU92630106	Moer M6x1	3	
19	GU95100141	Sluitring 6,4x12x1,2	2	
20	GU98054340	Bout	1	
21	GU31756937	Plaatje	1	Technical Specifications: See spare parts comm.n.014 of 1997[01497N], 2A Series, brand VOXBELL[2A]

Groep	FRAME
Code	33.08
Beschrijving	Taillight
Revisie	1



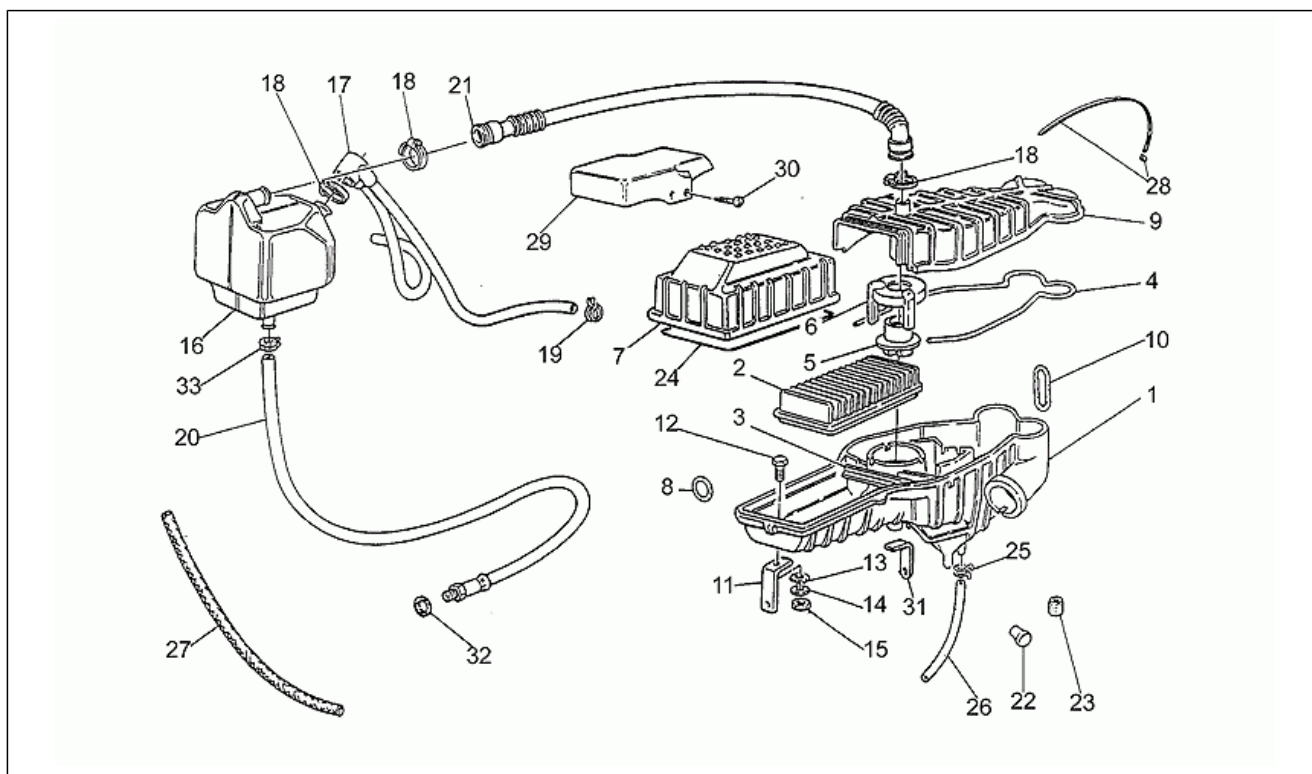
Pos.	Code	Beschrijving	Aant.	Varianten
1	GU66740915	Achterlicht	1	
3	GU93450224	Lamp	1	
4	GU31750630	Knipperlicht	2	
5	GU93450127	Lamp	2	
6	GU31753730	Glas knipperlicht	2	
7	GU95021110	Getande sluitring	2	
8	GU92602411	Moer	2	
9	GU91551062	Rubbetje	1	
10	GU98054322	Zeskantbout	3	
11	GU95100118	Sluitring 6,2X18X1	3	
12	GU61013800	Speciale sluitring	3	

Groep	FRAME
Code	33.09
Beschrijving	Air filter
Revisie	1



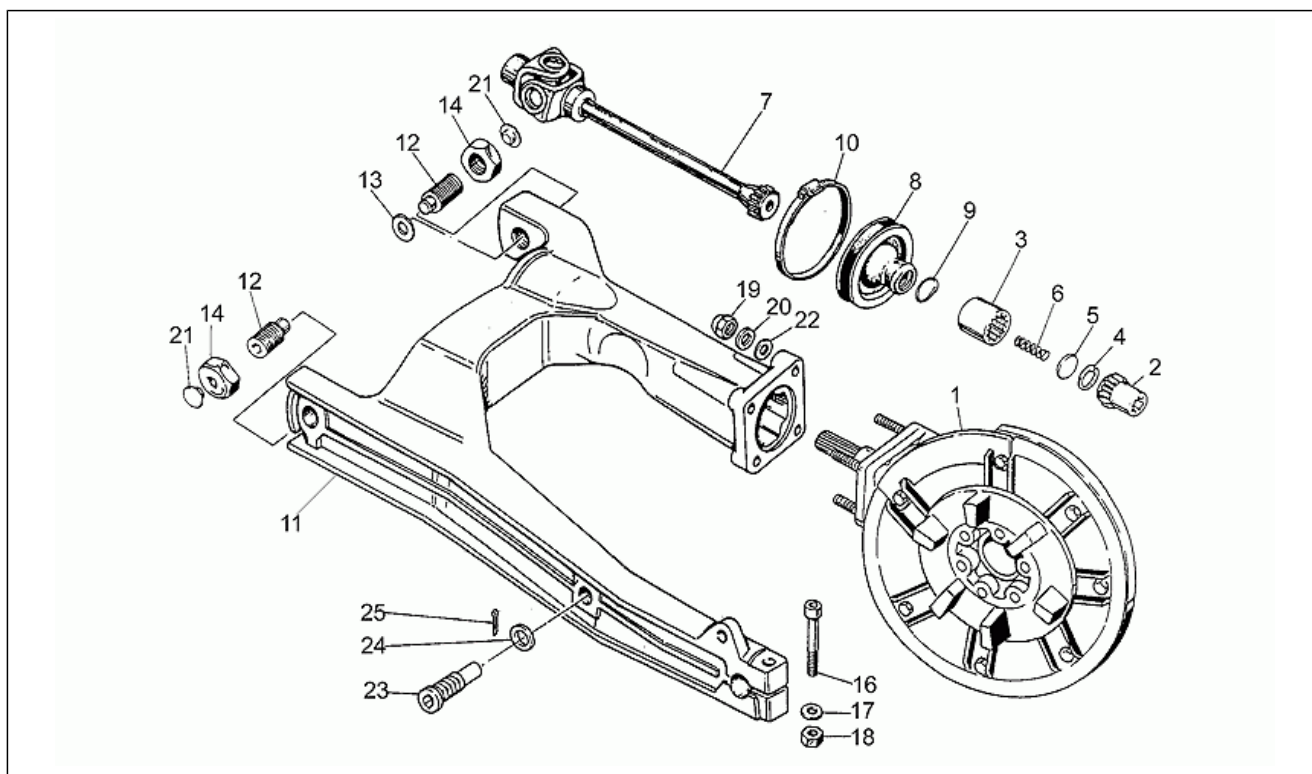
Pos.	Code	Beschrijving	Aant.	Varianten
1	GU19114060	Ond. deel filterkast	1	
2	GU28113650	Luchtfilter	1	
3	GU19112960	Beugel voor patroon	1	
4	GU19113960	Pakking	1	
5	GU19111060	Wand	1	
6	GU19111160	Bedekking	1	
7	GU19113760	Bedekking filter	1	
8	GU31110715	Korte veer	3	
9	GU19113460	Bov. deel filterkast	1	
10	GU31110815	Lange veer	3	
11	GU31114165	Steun filter	1	
12	GU98054214	Bout	1	
13	GU95021105	Getande sluitring	1	
14	GU95000205	Sluitring	1	
15	GU92630105	Moer	1	
16	GU31153481	Expansievat	1	Technical Specifications: See spare parts comm.n.038 of 2000[03800N]
17	GU23159671	Buis ontluchting koppen	1	Technical Specifications: See spare parts comm.n.038 of 2000[03800N]
18	GU93305018	Klemmetje	3	
19	GU61108400	Klemmetje	2	
20	GU27159360	Buis recup.olie	1	
21	GU27157420	Buis circul.	1	
22	GU19433000	Sluitend rubbertje	1	
23	GU14423800	Rubbertje	1	
24	GU27113985	Pakking	1	
25	GU61108500	Klemmetje D9	1	
26	GU00823942090	Ontluchtingsbuis	1	

Groep	FRAME
Code	33.09
Beschrijving	Air filter
Revisie	1



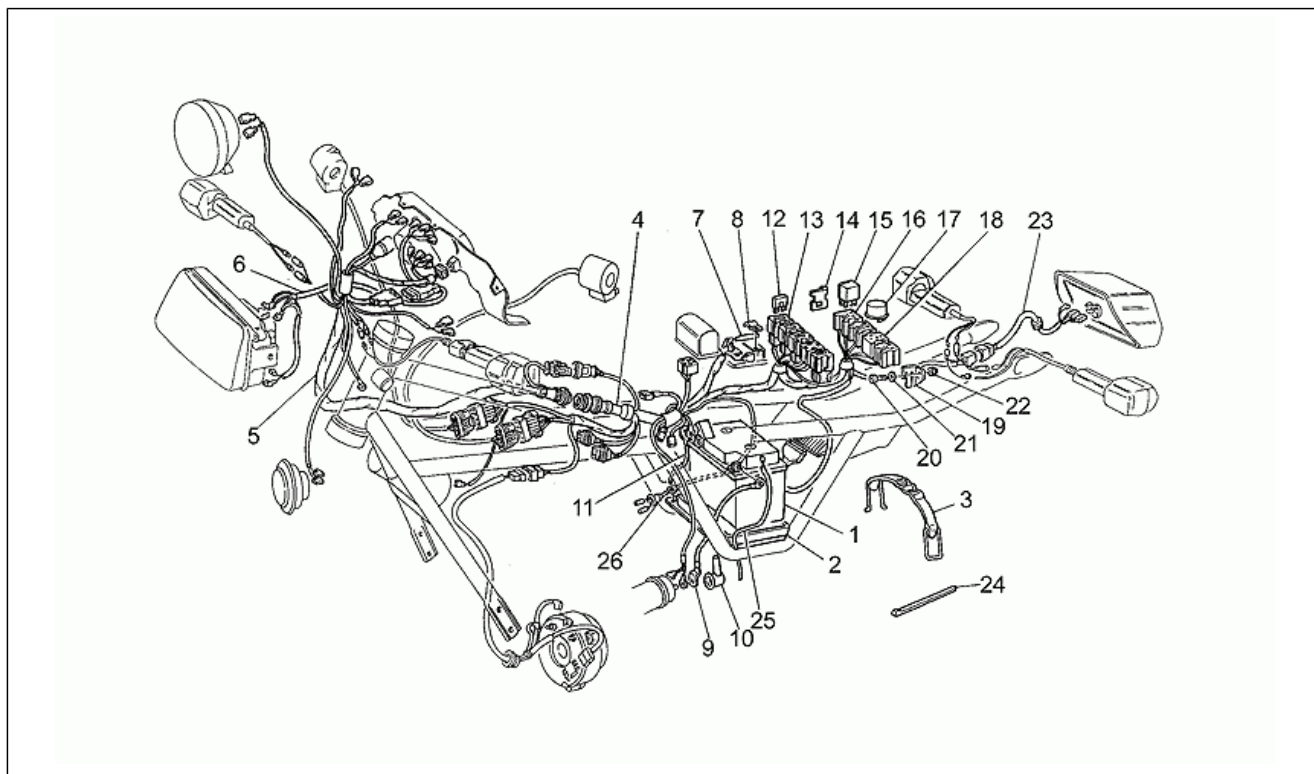
Pos.	Code	Beschrijving	Aant.	Varianten
27	GU00823923140	Thermische gaine	1	
28	GU27609685	Klemmetje	1	
29	GU31111265	Kap	1	
30	GU99200413	Zelftap. bout	3	
31	GU31112965	Steunbeugel filter	1	
32	GU90714082	Pakking	1	
33	GU19609600	Klemmetje	1	

Groep	FRAME
Code	33.10
Beschrijving	Swing arm
Revisie	1



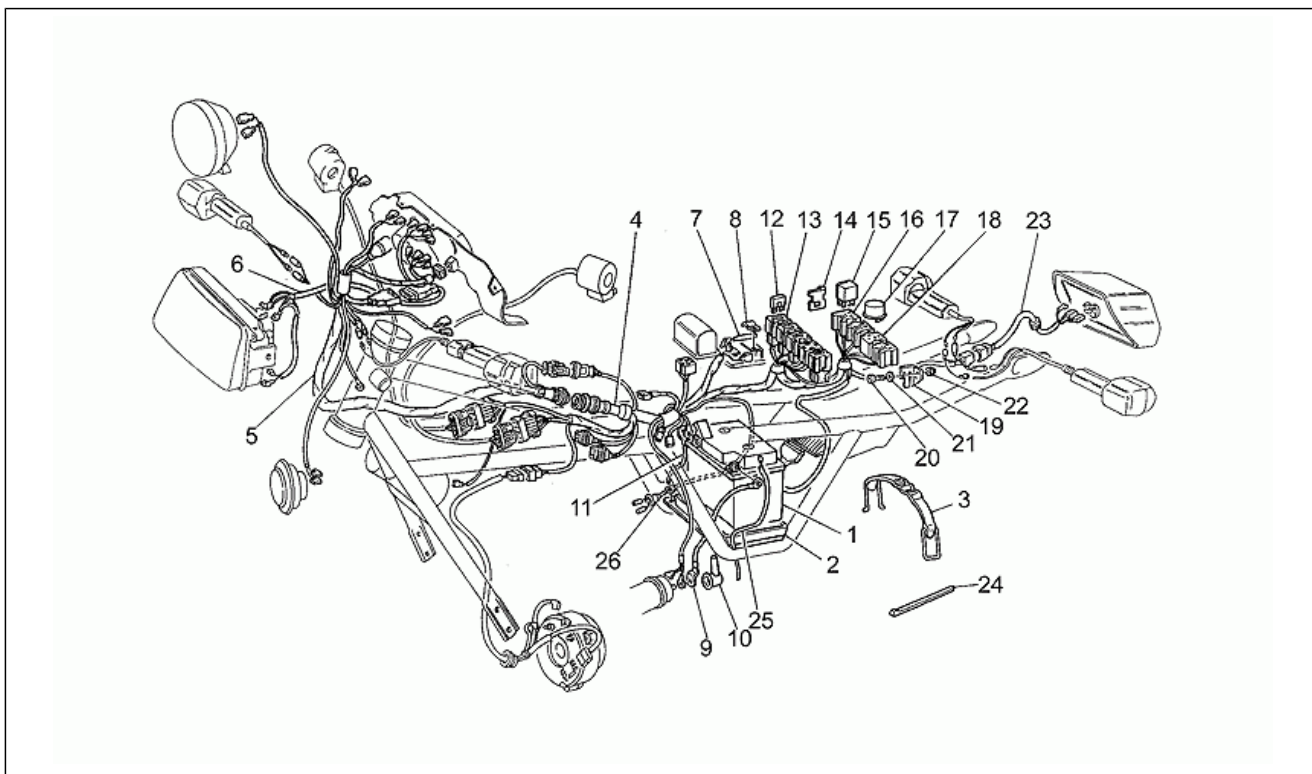
Pos.	Code	Beschrijving	Aant.	Varianten
1	GU31350231	Transmissiedoos cpl.	1	
2	GU19327701	Mof	1	
3	GU19328801	Mof	1	
4	GU90272023	Seegerring	1	
5	GU19327601	Schijf	1	
6	GU94321099	Veer	1	
7	GU23328081	Cardankoppeling	1	
8	GU23548080	Besch.band	1	
9	GU23548180	Veer	1	
10	GU93305074	Klemmetje	1	
11	GU31540231	Vork	1	Technical Specifications: See spare parts comm.n.029 of 1999[02999N]
12	GU19547000	Pin	2	
13	GU35214300	Dikte	1	
14	GU14547800	Moer	2	
16	GU98620545	Bout	1	
17	GU95004210	Sluitring 10,2x18x2	1	
18	GU92602210	Moer	1	
19	GU92781082	Moer blind	4	
20	GU14615901	Sluitring 8,4x13x0,8	4	
21	GU93180105	Dop	2	
22	GU95007208	Sluitring	4	
23	GU31544160	Pin	1	Technical Specifications: See spare parts comm.n.029 of 1999[02999N]
24	GU95100523	Sluitring 14,5x20x1	1	Technical Specifications: See spare parts comm.n.029 of 1999[02999N]
25	GU95500222	Splitpen	1	Technical Specifications: See spare parts comm.n.029 of 1999[02999N]

Groep	FRAME
Code	33.11
Beschrijving	Electrical system
Revisie	1



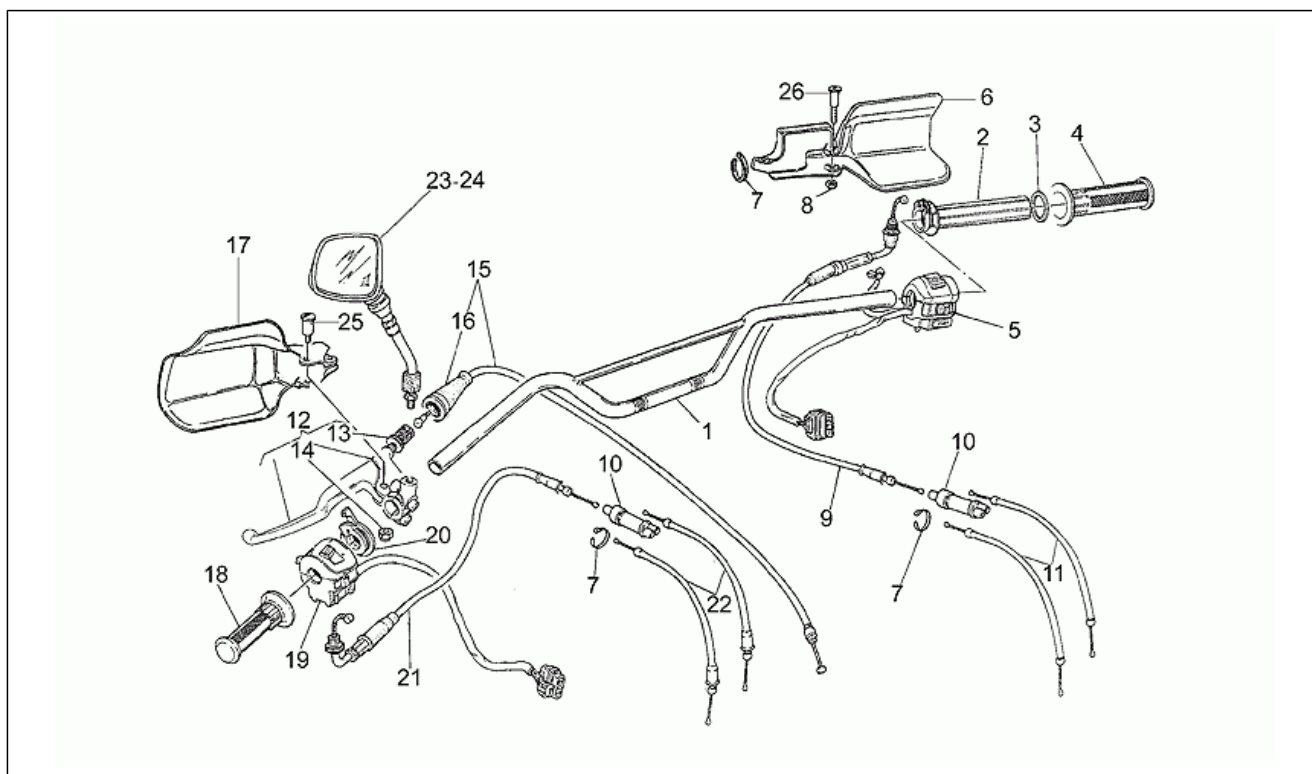
Pos.	Code	Beschrijving	Aant.	Varianten
1	GU03704540	Accu	1	Technical Specifications: See spare parts comm.n.038 of 2000[03800N]
1	GU28704545	Accu VARTA 530.30 12V-30A	1	
2	GU28707050	Accukast	1	
3	GU27704815	Plaat	1	
4	GU31747136	Elektrische installatie Bosch	1	Technical Specifications: Until frame <LX16499[T1]
4	GU31747137	Elektrische installatie Ducati	1	Technical Specifications: Until frame <LX16499[T1]
4	GU31747138	Elektrische installatie	1	Technical Specifications: See spare parts comm.n.038 of 2000[03800N], From frame LX16500[T2]
5	GU31747236	Bekabeling voorlicht	1	Technical Specifications: Brand VAMA[V]
5	GU31747237	Bekabeling voorlicht	1	Technical Specifications: See spare parts comm.n.014 of 1997[01497N], Brand SONORA[S]
5	GU31747239	Bekabeling voorlicht	1	Technical Specifications: See spare parts comm.n.038 of 2000[03800N], From frame LX16500[T2]
6	GU14747455	Bekabeling voorlicht	1	Technical Specifications: Brand VAMA[V]
6	GU28747449	Bekabeling voorlicht	1	Technical Specifications: See spare parts comm.n.014 of 1997[01497N], Brand SONORA[S]
7	GU28727200	Weerstand	1	
8	GU93301175	Beugel	1	
9	GU19748000	Bekabeling accu-startmotor	1	
10	GU19707100	Kapje	1	
11	GU28747960	Bekabeling massa-accu	1	
12	GU28742560	Zekering 15A	4	
13	GU30732200	Zekeringendoos	4	
14	GU30477101	Beugel re	2	
15	GU30732560	Relais siemens A302/B1008	3	
16	GU30732400	Steun relais	3	
17	GU17750520	Intermitterend	2	
18	GU30756100	Steun	2	

Groep	FRAME
Code	33.11
Beschrijving	Electrical system
Revisie	1



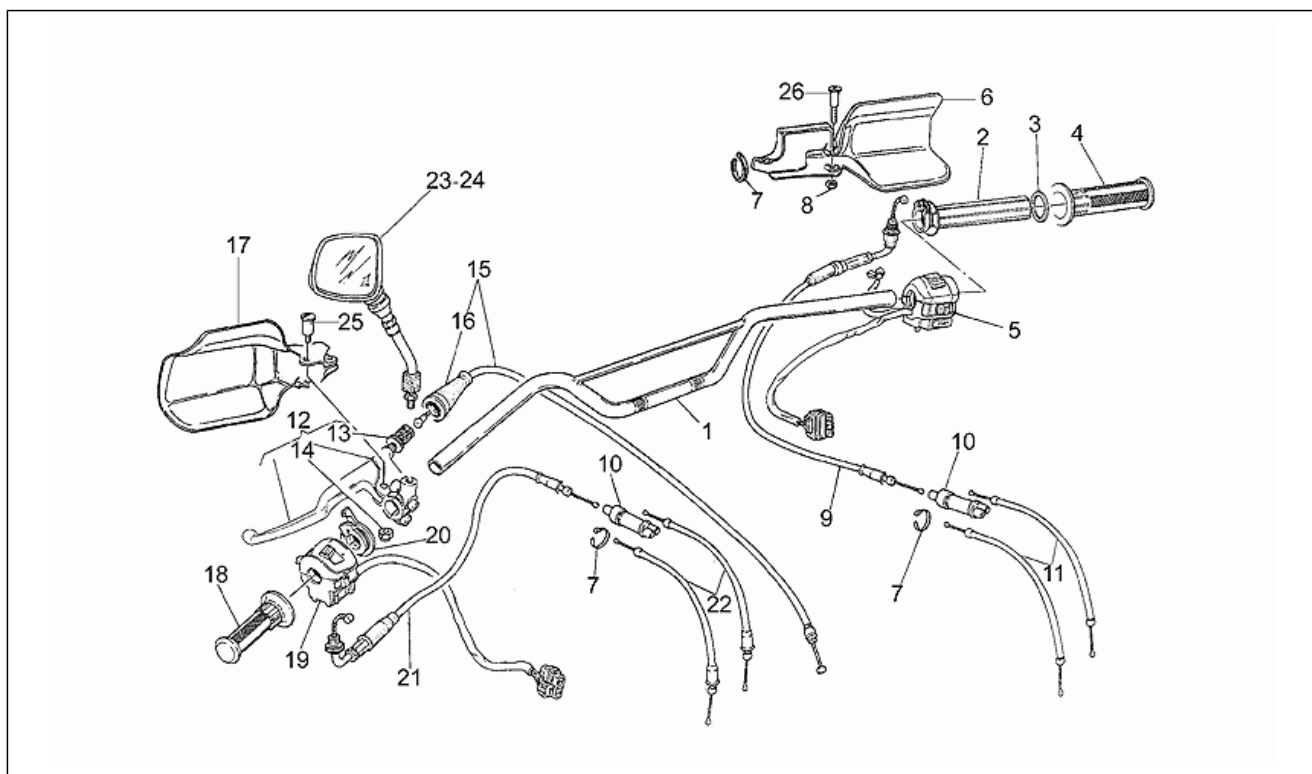
Pos.	Code	Beschrijving	Aant.	Varianten
19	GU30477200	Plaat li	2	
20	GU98622310	Bout	4	
21	GU61013800	Speciale sluitring	4	
22	GU92630206	Moer M6x1	4	
23	GU31747330	Bekabeling achterlicht	1	
24	GU14609650	Klemmetje 3,6x20,5	1	
24	GU61609630	Klemmetje	1	
25	GU00823946060	Ontluchttingsbuis	1	
26	GU12717600	Kapje	1	

Groep	FRAME
Code	33.12
Beschrijving	Handlebar - Controls
Revisie	1



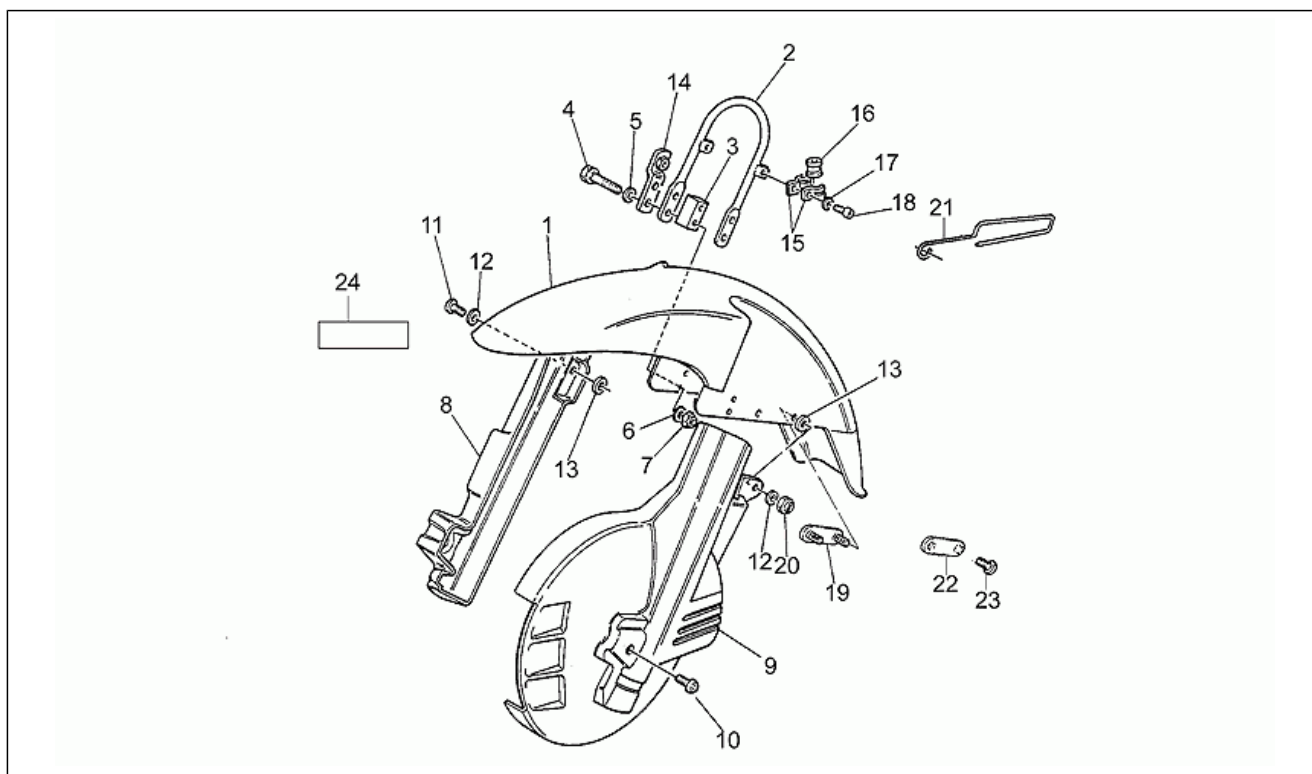
Pos.	Code	Beschrijving	Aant.	Varianten
1	GU31600335	Stuur	1	
2	GU30603800	Gasbuis zonder handvat	1	
3	GU30606900	Sluitring in nylon	1	
4	GU19603515	Handvat re	1	
5	GU30738860	Schak.lichten re	1	
6	GU31592935	Handbesch. re	1	Kleur van het voertuig:Police Cyan[p.c]
6	GU31592937	Handbesch. re	1	Kleur van het voertuig:Milk white 410[m.w]
6	GU31592939	Handbesch. re	1	Kleur van het voertuig:Carabinieri Blue 240[c.b] Technical Specifications:See spare parts comm.n.003 of 1998[00398N]
6	GU89000009	Handbesch. re	1	Kleur van het voertuig:Roma Blue 230[r.b] Technical Specifications:See spare parts comm.n.003 of 1998[00398N]
7	GU14609650	Klemmetje 3,6x20,6	3	
8	GU92630106	Moer M6x1	1	
9	GU31117565	Gaskabel	1	
10	GU30607910	Splitser	2	
11	GU27117775	Gaskabel	2	Technical Specifications:Until frame >LX15529[T5]
11	GU31117715	Gaskabel re	1	Technical Specifications:See spare parts comm.n.033 of 2001[03301N], From frame LX16742[T7]
11	GU31117715	Gaskabel re	2	Technical Specifications:See technical comm.n.297 of 1995[29795C], From frameLX15530[T6]
11	GU31117815	Gaskabel li	1	Technical Specifications:See spare parts comm.n.033 of 2001[03301N], From frame LX16742[T7]
12	GU30605560	Koppelingshendel cpl.	1	
13	GU30602500	Register	1	
14	GU92602206	Moer	1	
15	GU31093035	Kabel koppeling	1	
16	GU23093870	Balgje	1	
17	GU31593036	Handbesch. li	1	Kleur van het voertuig:Police Cyan[p.c]

Groep	FRAME
Code	33.12
Beschrijving	Handlebar - Controls
Revisie	1



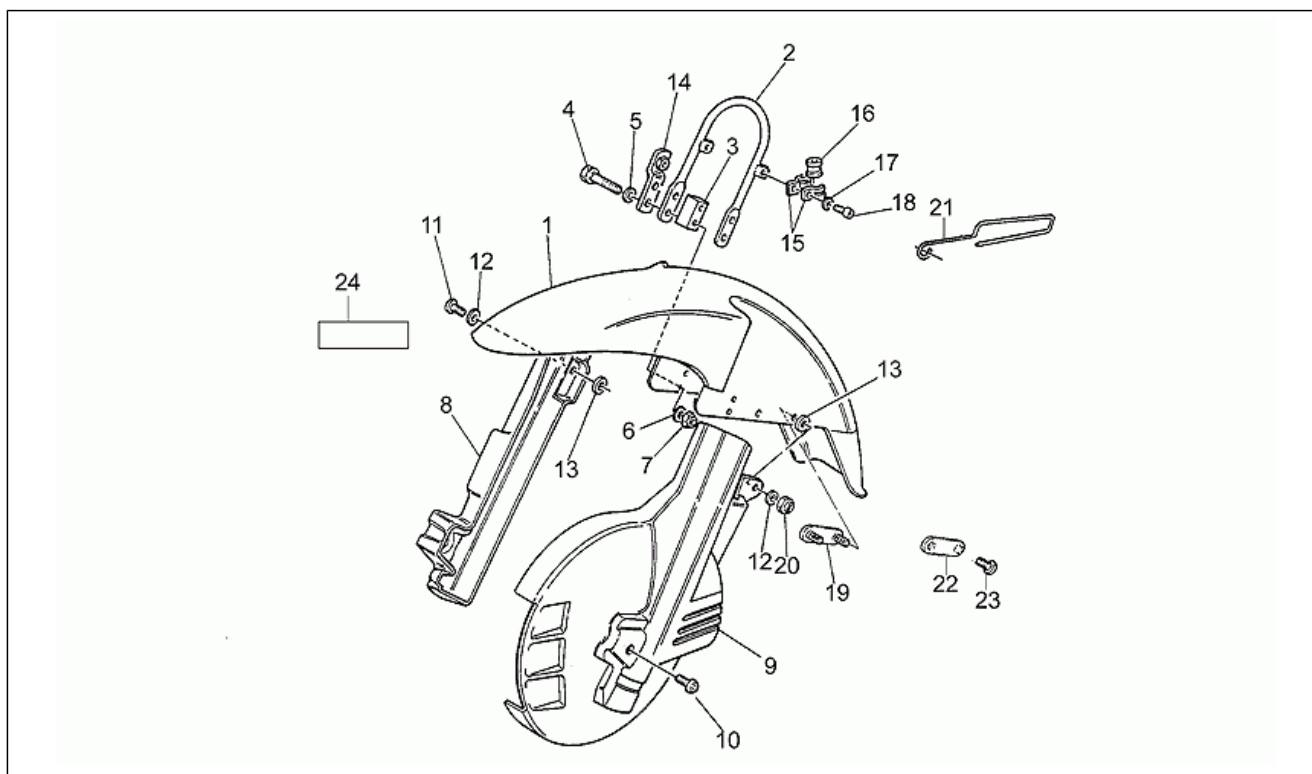
Pos.	Code	Beschrijving	Aant.	Varianten
17	GU31593037	Handbesch. li	1	Kleur van het voertuig: Milk white 410[m.w]
17	GU31593039	Handbesch. li	1	Kleur van het voertuig: Carabinieri Blue 240[c.b] Technical Specifications: See spare parts comm.n.003 of 1998[00398N]
17	GU89000008	Handbesch. li	1	Kleur van het voertuig: Roma Blue 230[r.b] Technical Specifications: See spare parts comm.n.003 of 1998[00398N]
18	GU19603015	Handvat li	1	
19	GU30738060	Schak.lichten li	1	
20	GU30135200	Commando starter	1	
21	GU31132865	Kabel starter	1	
22	GU27133515	Kabel starter	2	
23	GU30769430	Achteruitkijkspiegel li	1	Technical Specifications: See technical comm.n.318 of 1996[31896C]
24	GU30769830	Achteruitkijkspiegel re	1	Technical Specifications: See technical comm.n.318 of 1996[31896C]
25	GU31594236	Bevestigingspin li	1	Technical Specifications: See spare parts comm.n.038 of 2000[03800N], From frame LX16411[T4]
26	GU31594136	Bevestigingspin re	1	Technical Specifications: See spare parts comm.n.038 of 2000[03800N], From frame LX16411[T4]

Groep	FRAME
Code	33.13
Beschrijving	Front mudguard
Revisie	1



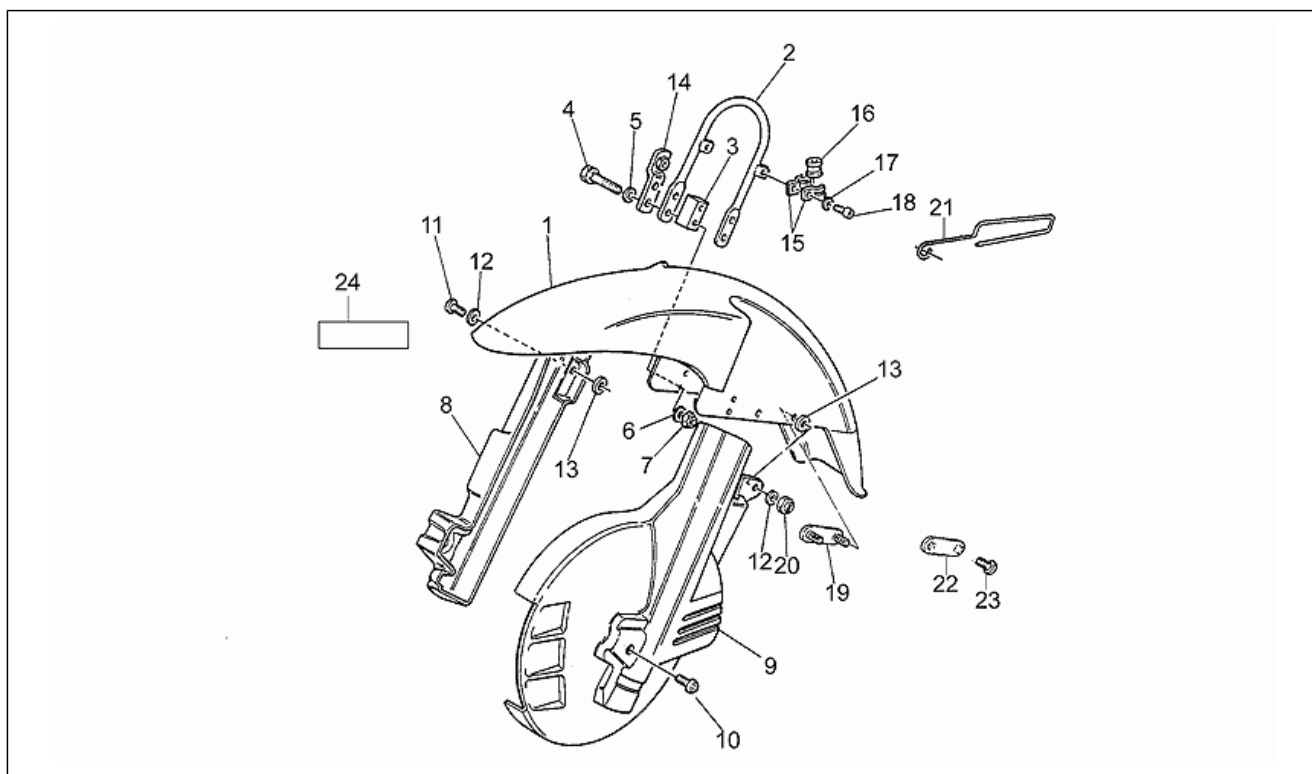
Pos.	Code	Beschrijving	Aant.	Varianten
1	GU274343757	Spatbord voor.	1	Kleur van het voertuig: Blank[gr] Technical Specifications: Until frame <LX16499[T1]
1	GU304344101	Spatbord voor.	1	Kleur van het voertuig: Blank[gr] Technical Specifications: See spare parts comm.n.038 of 2000[03800N], From frame LX16500[T2]
1	GU31434334	Spatbord voor.	1	Kleur van het voertuig: Police Cyan[p.c] Technical Specifications: See spare parts comm.n.038 of 2000[03800N], From frame LX16500[T2]
1	GU31434335	Spatbord voor.	1	Kleur van het voertuig: Police Cyan[p.c] Technical Specifications: Until frame <LX16499[T1]
1	GU31434336	Spatbord voor.	1	Kleur van het voertuig: Milk white 410[m.w]
1	GU31434339	Spatbord voor.	1	Kleur van het voertuig: Carabinieri Blue 240[c.b] Technical Specifications: See spare parts comm.n.003 of 1998[00398N]
1	GU89000005	Spatbord voor.	1	Kleur van het voertuig: Roma Blue 230[r.b] Technical Specifications: See spare parts comm.n.003 of 1998[00398N]
2	GU31436635	Beugel	1	Kleur van het voertuig: Police Cyan[p.c]
2	GU31436636	Beugel	1	Kleur van het voertuig: Blank[gr]
2	GU31436637	Beugel nero	1	Kleur van het voertuig: Carabinieri Blue 240[c.b], Roma Blue 230[r.b] Technical Specifications: See spare parts comm.n.003 of 1998[00398N]
3	GU27436875	Afstandhouder	2	Kleur van het voertuig: Milk white 410[m.w]
3	GU31436835	Afstandhouder	2	Kleur van het voertuig: Police Cyan[p.c]
3	GU31466837	Afstandhouder nero	2	Kleur van het voertuig: Carabinieri Blue 240[c.b], Roma Blue 230[r.b] Technical Specifications: See spare parts comm.n.003 of 1998[00398N]
4	GU98052350	Bout	4	Technical Specifications: Until frame <LX16499[T1]
4	GU98610345	Bout	4	Technical Specifications: See spare parts comm.n.038 of 2000[03800N], From frame LX16500[T2]

Groep	FRAME
Code	33.13
Beschrijving	Front mudguard
Revisie	1



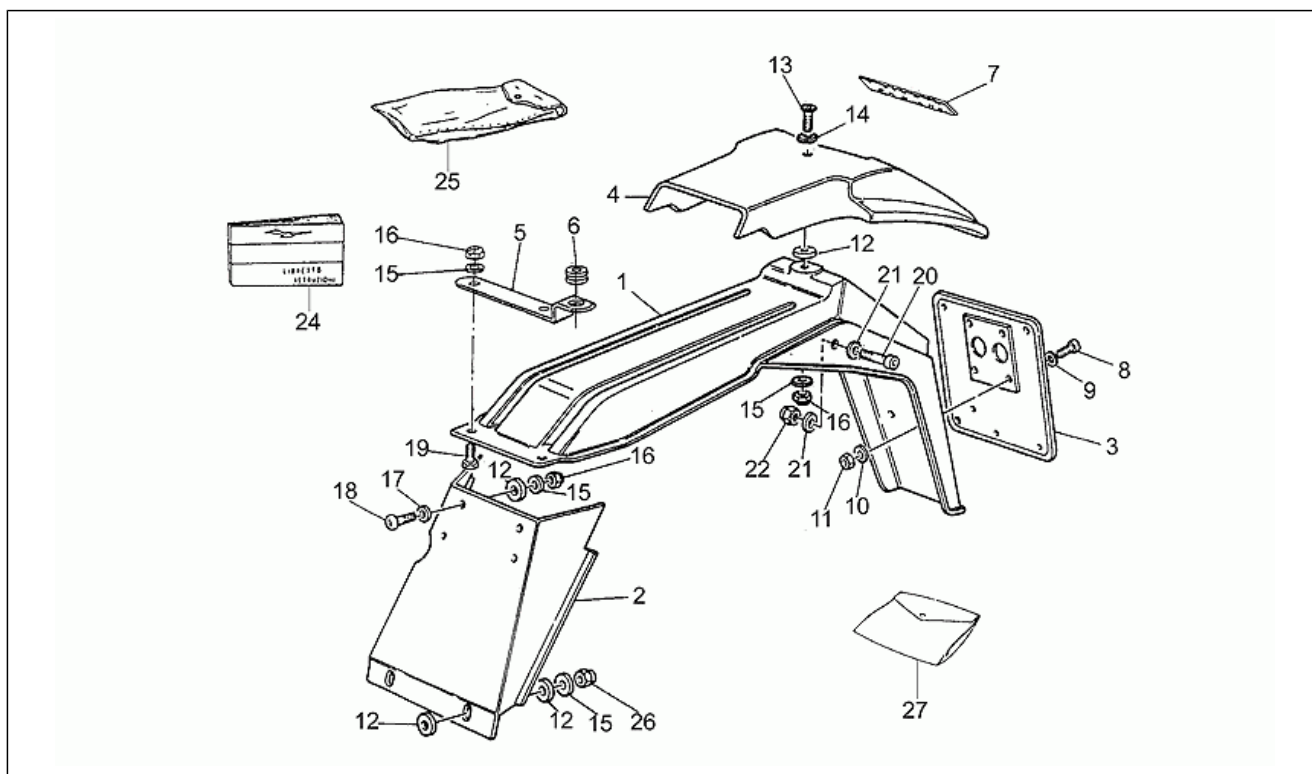
Pos.	Code	Beschrijving	Aant.	Varianten
5	GU95000206	Sluitring	4	Technical Specifications: Until frame <LX16499[T1]
5	GU95001206	Sluitring	6	Technical Specifications: See spare parts comm.n.038 of 2000[03800N], From frame LX16500[T2]
6	GU95001206	Sluitring	6	Technical Specifications: See spare parts comm.n.038 of 2000[03800N], From frame LX16500[T2]
6	GU95100121	Sluitring 5,3x10x0,5	6	Technical Specifications: Until frame <LX16499[T1]
7	GU92630106	Moer M6x1	4	
8	GU31584530	Bescherming re	1	Kleur van het voertuig: Milk white 410[m.w]
8	GU31584535	Bescherming re	1	Kleur van het voertuig: Police Cyan[p.c]
8	GU31584539	Bescherming re	1	Kleur van het voertuig: Carabinieri Blue 240[c.b] Technical Specifications: See spare parts comm.n.003 of 1998[00398N]
8	GU89000006	Bescherming re	1	Kleur van het voertuig: Roma Blue 230[r.b] Technical Specifications: See spare parts comm.n.003 of 1998[00398N]
9	GU31584435	Bescherming schijf voor.	1	Kleur van het voertuig: Police Cyan[p.c]
9	GU31584436	Bescherming schijf voor.	1	Kleur van het voertuig: Milk white 410[m.w]
9	GU31584439	Bescherming schijf voor.	1	Kleur van het voertuig: Carabinieri Blue 240[c.b] Technical Specifications: See spare parts comm.n.003 of 1998[00398N]
9	GU89000007	Bescherming schijf voor.	1	Kleur van het voertuig: Roma Blue 230[r.b] Technical Specifications: See spare parts comm.n.003 of 1998[00398N]
10	GU98230616	Bout	2	
11	GU98230622	Bout	1	
12	GU66478610	Sluitring in nylon 6X17X1	5	
13	GU93110060	Rubbertje	5	
14	GU31584630	Plaatje	1	
15	GU27651315	Klemmetje	4	
16	GU17658260	Ring	2	
17	GU61013800	Speciale sluitring	2	

Groep	FRAME
Code	33.13
Beschrijving	Front mudguard
Revisie	1



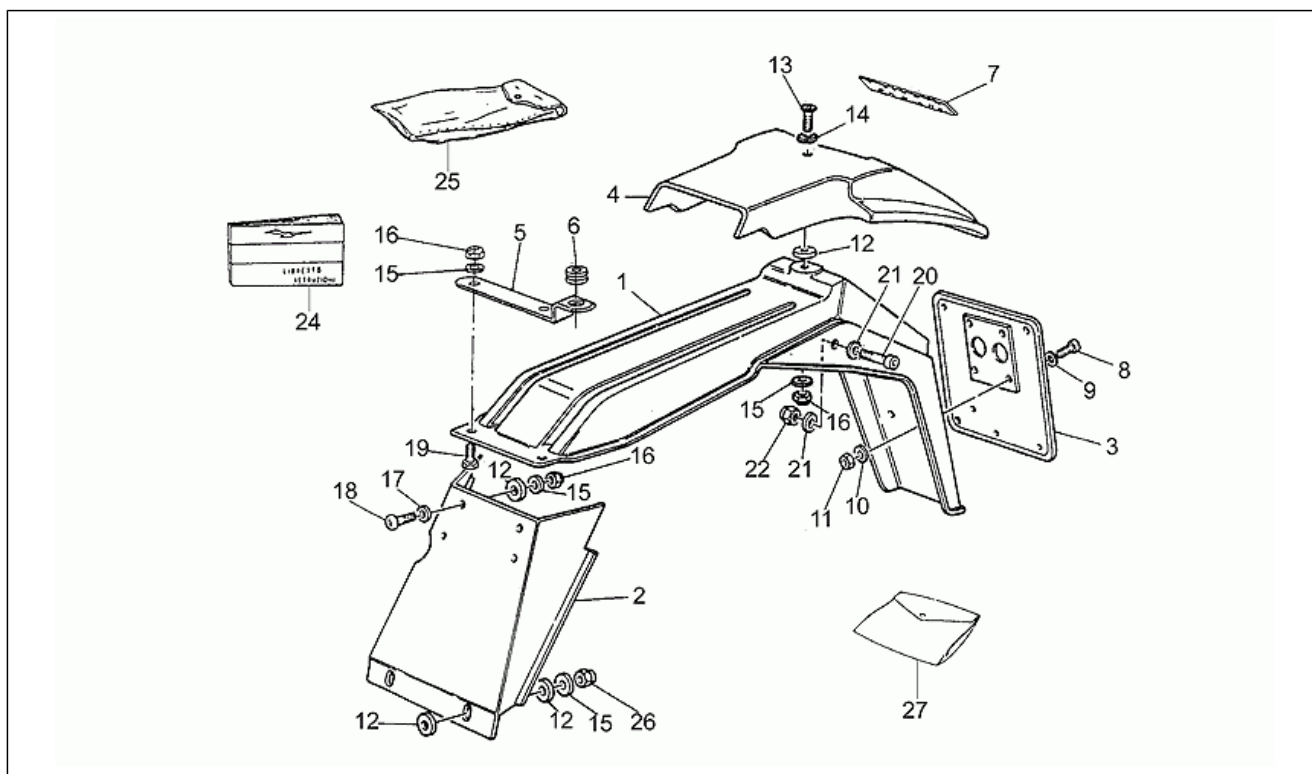
Pos.	Code	Beschrijving	Aant.	Varianten
18	GU98612312	Bout	2	
19	GU31583935	Plaatje blokk.	1	
20	GU92630206	Moer M6x1	2	
21	GU31659760	Kabelgeleider	2	
22	GU31434735	Plaatje	2	Technical Specifications: See spare parts comm.n.038 of 2000[03800N], From frame LX16500[T2]
23	GU98074312	Bout	2	Technical Specifications: See spare parts comm.n.038 of 2000[03800N], From frame LX16500[T2]
24	GU31920535	Decalco spatbord voor.	1	Technical Specifications: See spare parts comm.n.038 of 2000[03800N], From frame LX16500[T2]

Groep	FRAME
Code	33.14
Beschrijving	Rear body - Mudguard
Revisie	1



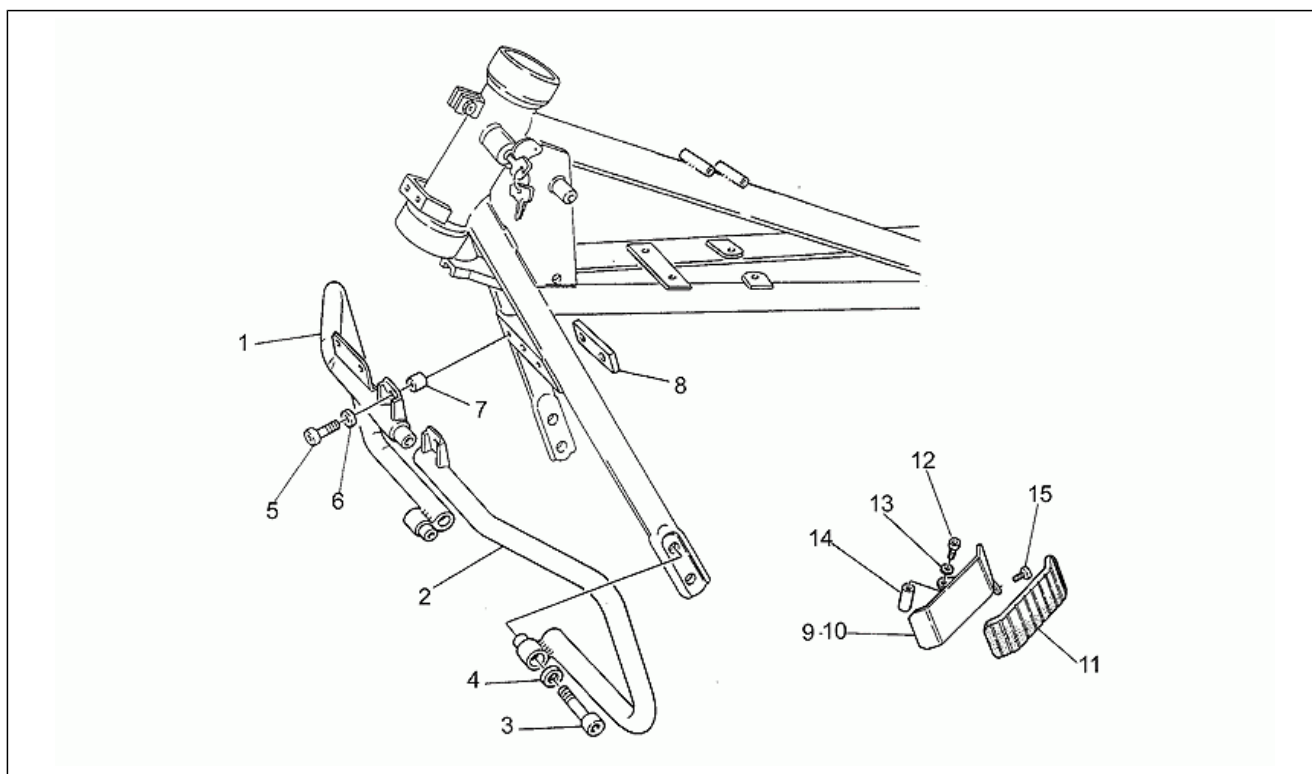
Pos.	Code	Beschrijving	Aant.	Varianten
1	GU31437035	Achterste spatbord	1	
2	GU27438716	Spatbordjes	1	
3	GU01474630	Nummerplaatouder	1	Technical Specifications: See spare parts comm.n.038 of 2000[03800N]
4	GU314664301	Eindstuk ruw	1	Kleur van het voertuig: Blank[gr]
4	GU31466435	Eindstukje azuurbl.	1	Kleur van het voertuig: Police Cyan[p.c]
4	GU31466436	Eindstukje wit	1	Kleur van het voertuig: Milk white 410[m.w]
4	GU31466439	Eindstukje blauw carabinieri	1	Kleur van het voertuig: Carabinieri Blue 240[c.b] Technical Specifications: See spare parts comm.n.003 of 1998[00398N]
4	GU89000013	Eindstukje blauw Roma	1	Kleur van het voertuig: Roma Blue 230[r.b] Technical Specifications: See spare parts comm.n.003 of 1998[00398N]
5	GU31460935	Beugel	1	
6	GU91551131	Rubbetje	1	
7	GU28923400	Dec."MotoGuzzi"	1	
8	GU98200410	Bout	4	
9	GU95000204	Sluitring	4	
10	GU95129080	Sluitring	4	
11	GU92602204	Moer	4	
12	GU93110060	Rubbetje	7	
13	GU98326016	Bout	1	
14	GU66478610	Sluitring in nylon 6X17X1	1	
15	GU95100141	Sluitring 6,4x12x1,2	7	
16	GU92630106	Moer M6x1	5	
17	GU95000206	Sluitring	2	
18	GU98230630	Bout	2	
19	GU98054320	Zeskantbout	2	
20	GU98820435	Bout	2	

Groep	FRAME
Code	33.14
Beschrijving	Rear body - Mudguard
Revisie	1



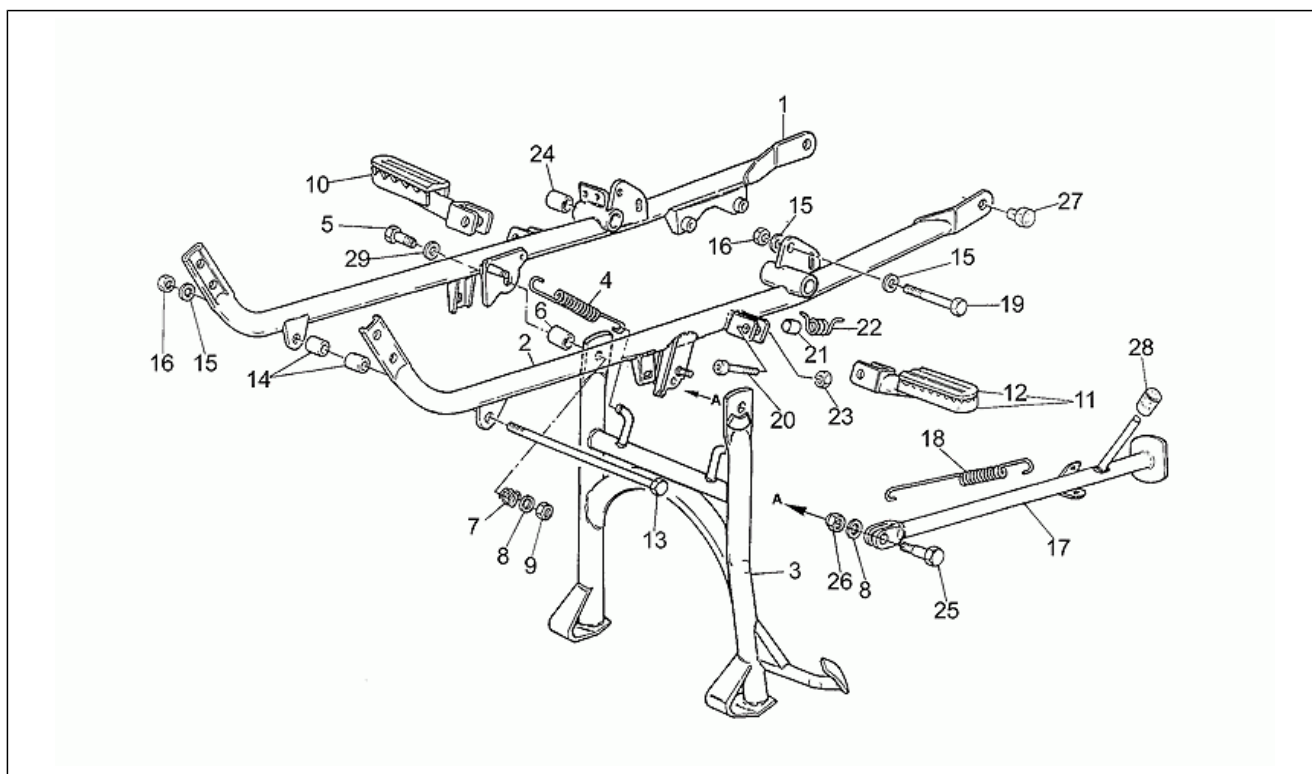
Pos.	Code	Beschrijving	Aant.	Varianten
21	GU95100235	Afstandhouder	4	
22	GU92630108	Moer	2	
24	GU27900015	Boekje gebruik/ond.	1	
24	GU31900035	Boekje gebruik/ond.	1	Technical Specifications: See spare parts comm.n.038 of 2000[03800N], From frame LX16500[T2]
25	GU20909920	Gereedschapstas	1	Technical Specifications: See spare parts comm.n.038 of 2000[03800N], From frame LX16500[T2]
25	GU28929940	Gereedschapstas	1	Technical Specifications: Until frame <LX16499[T1]
26	GU92630206	Moer M6x1	2	
27	GU30970200	Doek voert.bedekk.	1	Technical Specifications: See spare parts comm.n.038 of 2000[03800N], From frame LX16500[T2]

Groep	FRAME
Code	33.15
Beschrijving	Front bumper kit
Revisie	1



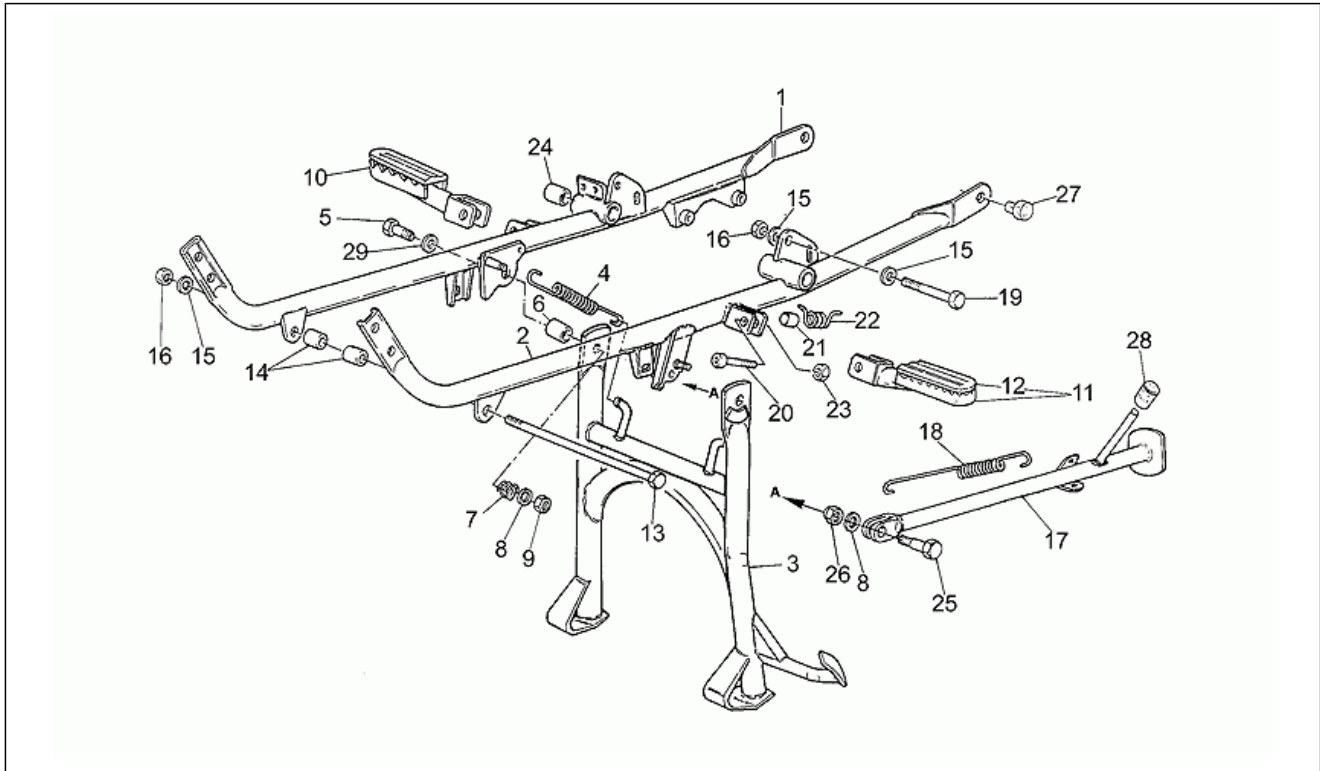
Pos.	Code	Beschrijving	Aant.	Varianten
1	GU31450335	Schokdempers voor.re	1	
2	GU31450435	Schokdempers voor.li	1	
3	GU98610550	Bout	2	
4	GU95120105	Sluitring	2	
5	GU98230822	Bout bov.	2	
6	GU95004208	Sluitring	2	
7	GU91180802	Afstandhouder	2	
8	GU17451750	Plaatje	1	
9	GU19941095	Bescherming re	1	
10	GU19941495	Bescherming li	1	
11	GU18941750	Rubbertje	2	
12	GU98620350	Binnenzeskantbout	2	
13	GU61013800	Speciale sluitring	2	
14	GU91180721	Afstandhouder	2	
15	GU98610330	Bout M6x30	2	

Groep	FRAME
Code	33.16
Beschrijving	Cradle-Foot rests-Stands
Revisie	1



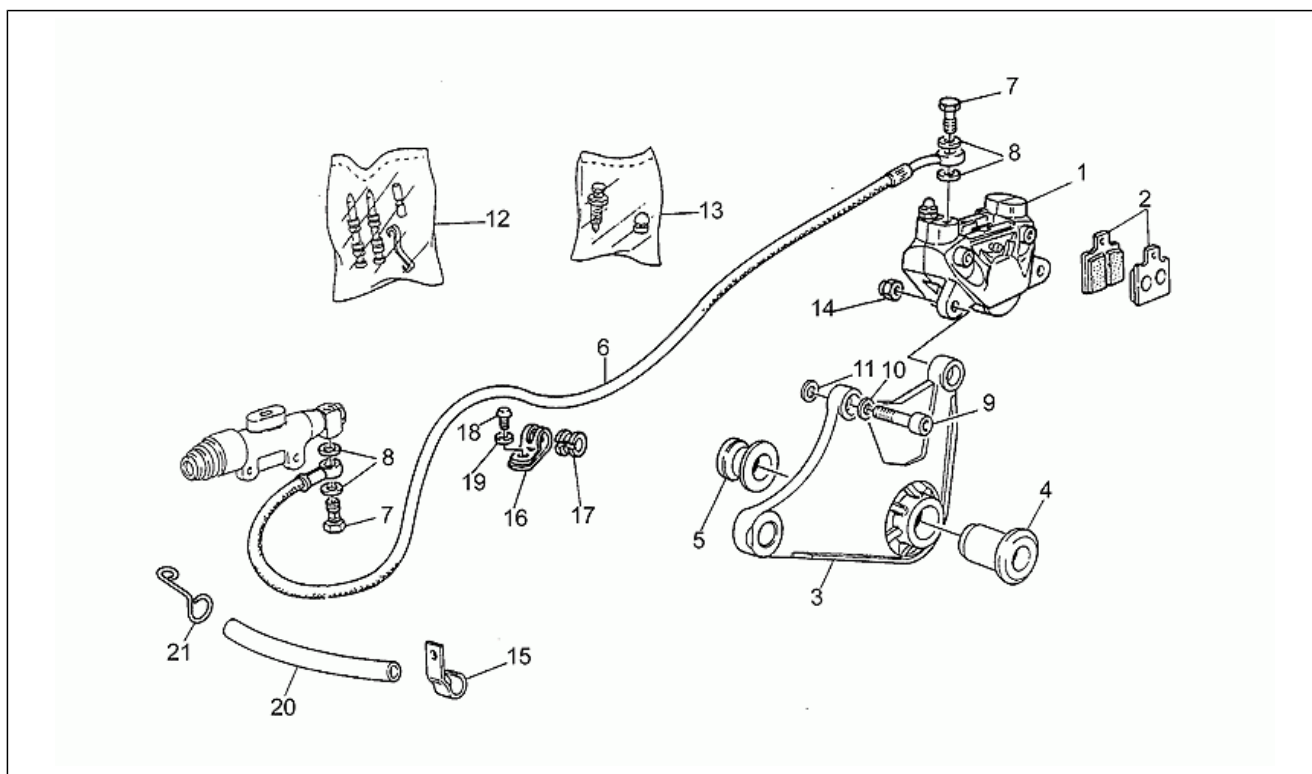
Pos.	Code	Beschrijving	Aant.	Varianten
1	GU31420331	Steun re	1	
2	GU31422136	Steun li	1	
3	GU31430335	Centrale standaard	1	
4	GU12434001	Trekveer standaard	1	
5	GU98054535	Zeskantbout	2	
6	GU91181114	Afstandhouder	2	
7	GU94322215	Veer	2	
8	GU95000210	Sluitring	3	
9	GU92630110	Moer M10X1,5	2	
10	GU27440210	Voetensteun bestuurder re	1	
11	GU27441310	Voetensteun bestuurder li	1	
12	GU27443210	Rubber voetenst.	2	
13	GU27429515	Bout	1	
14	GU19017000	Beslagring	1	
15	GU95007210	Sluitring	5	
16	GU92601210	Moer	3	
17	GU31432036	Zijstandaard zwart	1	
18	GU19434000	Veer	2	
19	GU98072565	Bout	2	
20	GU98610445	Bout	2	
21	GU91180817	Afstandhouder	2	
22	GU27441110	Veer	2	
23	GU92630108	Moer	2	
24	GU28252060	Huls 18 mm est.	4	
25	GU99105117	Pin van de standaard	1	
26	GU92630210	Moer	1	
27	GU12433000	Buffer	2	
28	GU14423800	Rubbertje	1	

Groep	FRAME
Code	33.16
Beschrijving	Cradle-Foot rests-Stands
Revisie	1



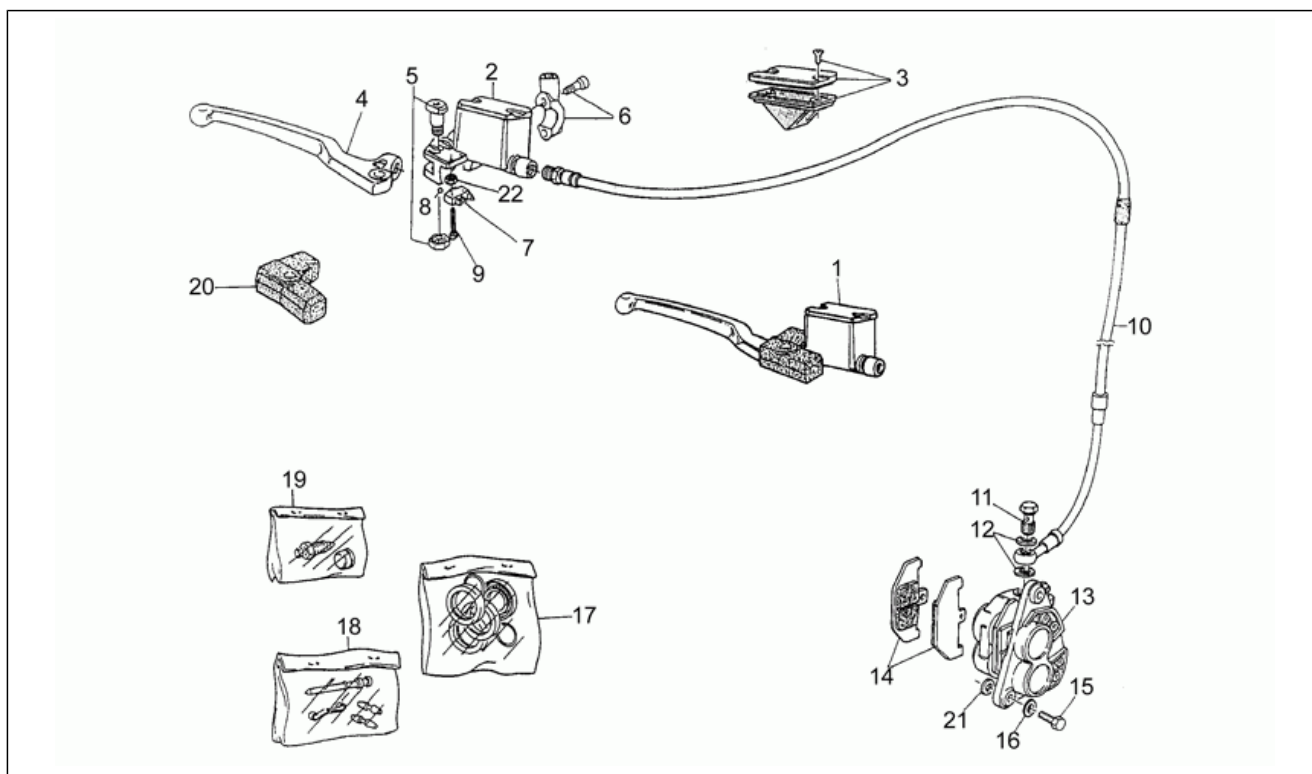
Pos.	Code	Beschrijving	Aant.	Varianten
29	GU95100337	Sluitring	2	

Groep	FRAME
Code	33.17
Beschrijving	Rear brake caliper
Revisie	1



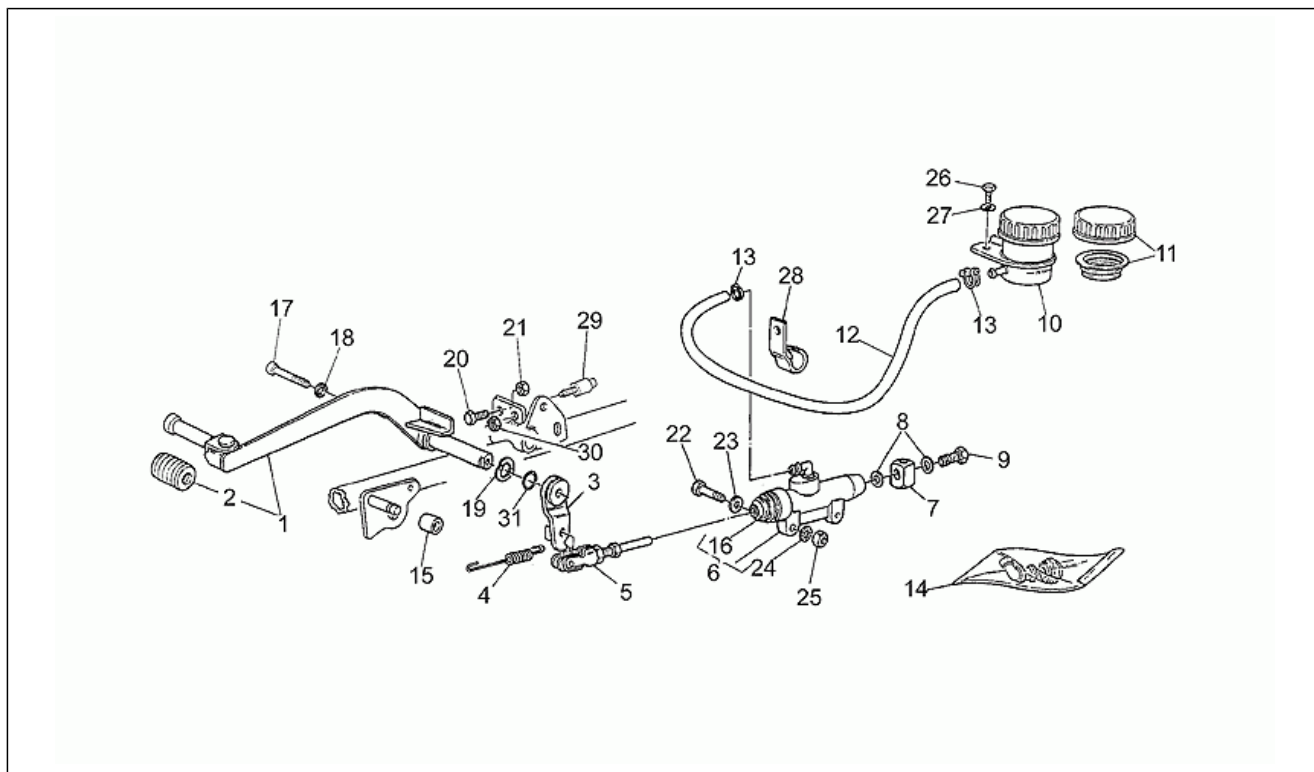
Pos.	Code	Beschrijving	Aant.	Varianten
1	GU23653011	Tang van de achterrem	1	
2	GU31654660	Pastilles - koppel	1	
3	GU27635811	Plaat koppeling remtang	1	
4	GU31634230	Beslagring	1	
5	GU31634130	Afstandhouder	1	
6	GU27657110	Buis achterrem	1	Technical Specifications: Until frame >LX15529[T5]
6	GU30658561	Buis achterrem	1	Technical Specifications: See technical comm.n.297 of 1995[29795C], From frameLX15530[T6]
7	GU95990028	Bout olieleiding *	2	
8	GU25656100	Pakking in aluminium	4	
9	GU98612425	Bout	2	
10	GU61270300	Elastische sluitring 8x15x0,3	2	
11	GU95100250	Sluitring 8,5X18X0,5	1	
11	GU95100251	Sluitring 8,5X18X0,8	1	
12	GU31659160	Pinnen+veer BREMBO	1	
13	GU31659260	Ontluchting+kapje BREMBO D.10	1	
14	GU92630108	Moer	1	
15	GU62436500	Klemmetje	1	
16	GU17658460	Klemmetje	1	
17	GU17658260	Ring	1	
18	GU98230612	Bout	1	
19	GU95000206	Sluitring	1	
20	GU17659850	Gaine	1	
21	GU28659700	Kabelgeleider	1	Technical Specifications: Until frame <LX16499[T1]
21	GU31659735	Kabelgeleider	1	Technical Specifications: See spare parts comm.n.038 of 2000[03800N], From frame LX16500[T2]

Groep	FRAME
Code	33.18
Beschrijving	Front master cilinder
Revisie	1



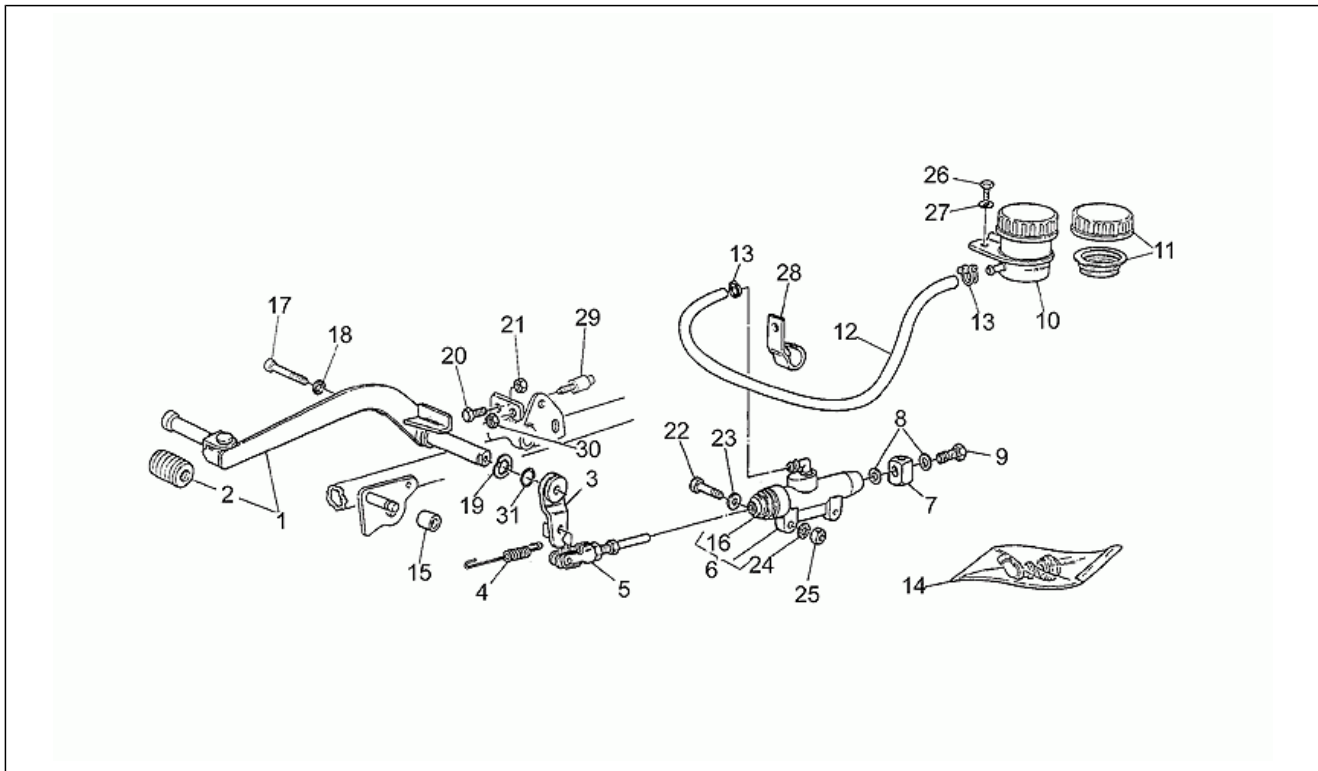
Pos.	Code	Beschrijving	Aant.	Varianten
1	GU30660180	Pomp voorrem	1	
2	GU28660278	Pomp voorrem	1	
3	GU27661115	Bedekking pomp	1	
4	GU30605680	Remhendel	1	
5	GU27604815	Pin	1	
6	GU27664075	Beugel met bouten	1	
7	GU30749860	Microschakelaar	1	
8	GU92295708	Bol	1	
9	GU98200214	Bout	2	
10	GU27658575	Leiding voorrem	1	
11	GU95990028	Bout olieleiding *	1	
12	GU25656100	Pakking in aluminium	2	
13	GU27652350	Tang van de voorrem	1	
14	GU27654650	Pastilles - koppel	1	
15	GU98074530	Bout	2	
16	GU95129180	Sluistring 10,5X18X0,8	2	
17	GU27659050	Kit revisie tang	1	
18	GU27659150	Pinnen+Veren tang	1	
19	GU31659260	Ontluchting+kapje BREMBO D.10	1	
20	GU27663615	Kapje	1	
21	GU91181003	Afstandhouder 10,25X20X4	2	Technical Specifications: See spare parts comm.n.038 of 2000[03800N], From frame LX16500[T2]
21	GU95100250	Sluistring 8,5X18X0,5	1	Technical Specifications: Until frame <LX16499[T1]
21	GU95100251	Sluistring 8,5X18X0,8	1	Technical Specifications: Until frame <LX16499[T1]
22	GU92601002	Moer	2	

Groep	FRAME
Code	33.19
Beschrijving	Rear master cylinder
Revisie	1



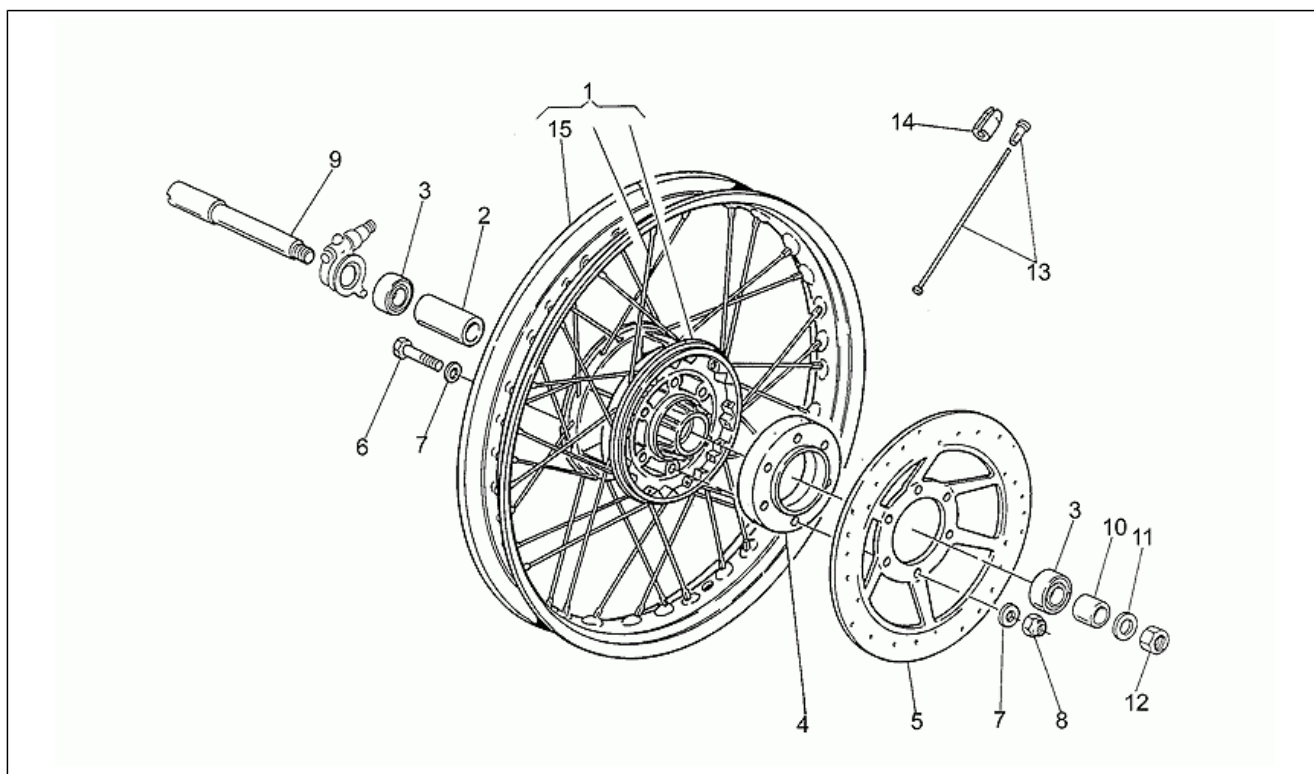
Pos.	Code	Beschrijving	Aant.	Varianten
1	GU27677015	Remhendel	1	
2	GU27251015	Rubbertje	1	Technical Specifications: Until frame <LX16499[T1]
2	GU30251025	Rubbertje	1	Technical Specifications: See spare parts comm.n.038 of 2000[03800N], From frame LX16500[T2]
3	GU27667515	Hendel	1	
4	GU31667635	Veer	1	
5	GU27675016	Staaft pomp rem	1	
6	GU30667030	Pomp van de achterrem	1	
7	GU27668015	Verbinding	1	
8	GU25656100	Pakking in aluminium	2	
9	GU95990027	Bout olieleiding	1	
10	GU65663500	Oliereservoir remmen	1	
11	GU17661052	Tankdop	1	
12	GU00823950050	Olieleiding	1	
13	GU19157800	Klemmetje	2	
14	GU27659515	Verbinding pomp acht.	1	
15	GU91181114	Afstandhouder	1	
16	GU27530593	Kap	1	
17	GU98620345	Bout	1	
18	GU14217901	Gekart. sluitring 6,4x10x0,7	1	
19	GU95129260	Elastische sluitring	1	
20	GU98074320	Bout	1	
21	GU92601206	Moer	1	
22	GU98072330	Bout	2	
23	GU95004206	Sluitring 6,15x11x0,8	2	
24	GU95021106	Getande sluitring	2	
25	GU92601206	Moer	2	
26	GU98054214	Bout	2	

Groep	FRAME
Code	33.19
Beschrijving	Rear master cylinder
Revisie	1



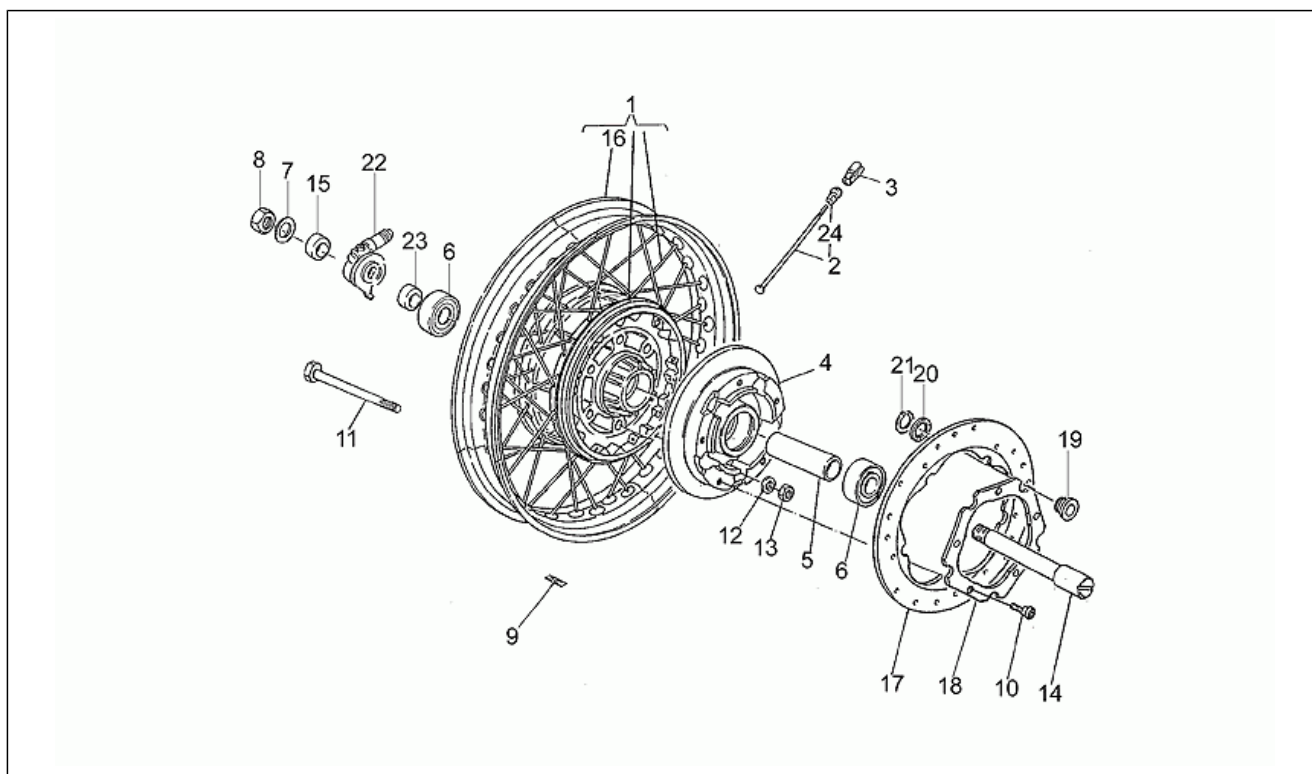
Pos.	Code	Beschrijving	Aant.	Varianten
27	GU95100059	Sluitring 5,25x14x1,5	2	
28	GU19718000	Klemmetje	1	
29	GU39741150	Stopschakelaar	1	
30	GU92700071	Moer	1	
31	GU90706141	OR-ring	2	

Groep	FRAME
Code	33.20
Beschrijving	Front wheel<LX16499
Revisie	1



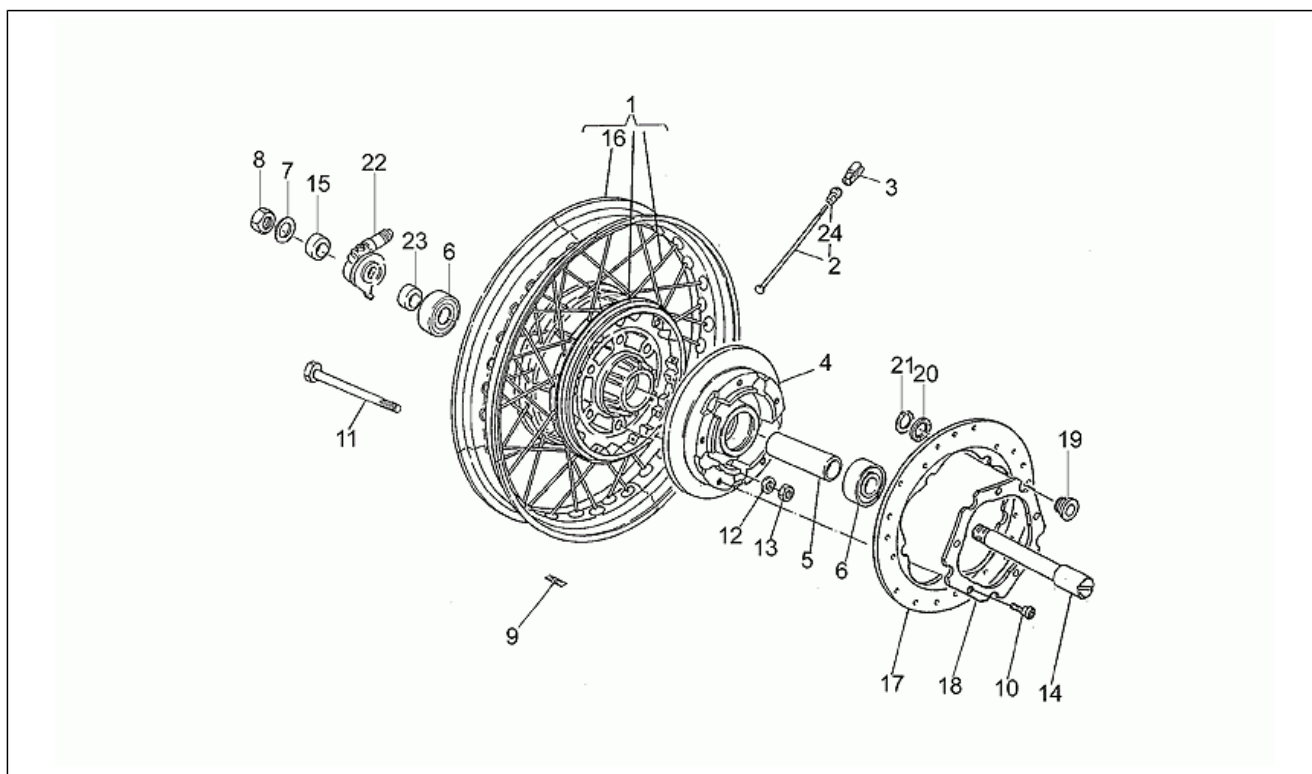
Pos.	Code	Beschrijving	Aant.	Varianten
1	GU23610370	Voorwiel	1	
2	GU19615235	Afstandhouder	1	
3	GU92204217	Lager	2	
4	GU27611210	Flens	1	
5	GU31613335	Remschijf	1	
6	GU98052470	Bout	6	
7	GU95004208	Sluitring	12	
8	GU92630108	Moer	6	
9	GU31614130	Pin voorwiel	1	
10	GU27616310	Afstandhouder	1	
11	GU95004217	Sluitring 17X27X2	1	
12	GU92602316	Moer M6x1,5	1	
13	GU39611601	Spaak	36	
14	GU27616110	Tegengewicht 10 gr.	1	
14	GU27616111	Tegengewicht 15 gr.	1	
14	GU27616112	Tegengewicht 20 g	1	
14	GU27616113	Tegengewicht 30 g	1	
15	GU23610870	Voorvelg 2,15x18"	1	

Groep	FRAME
Code	33.21
Beschrijving	Front wheel LX16500>
Revisie	1



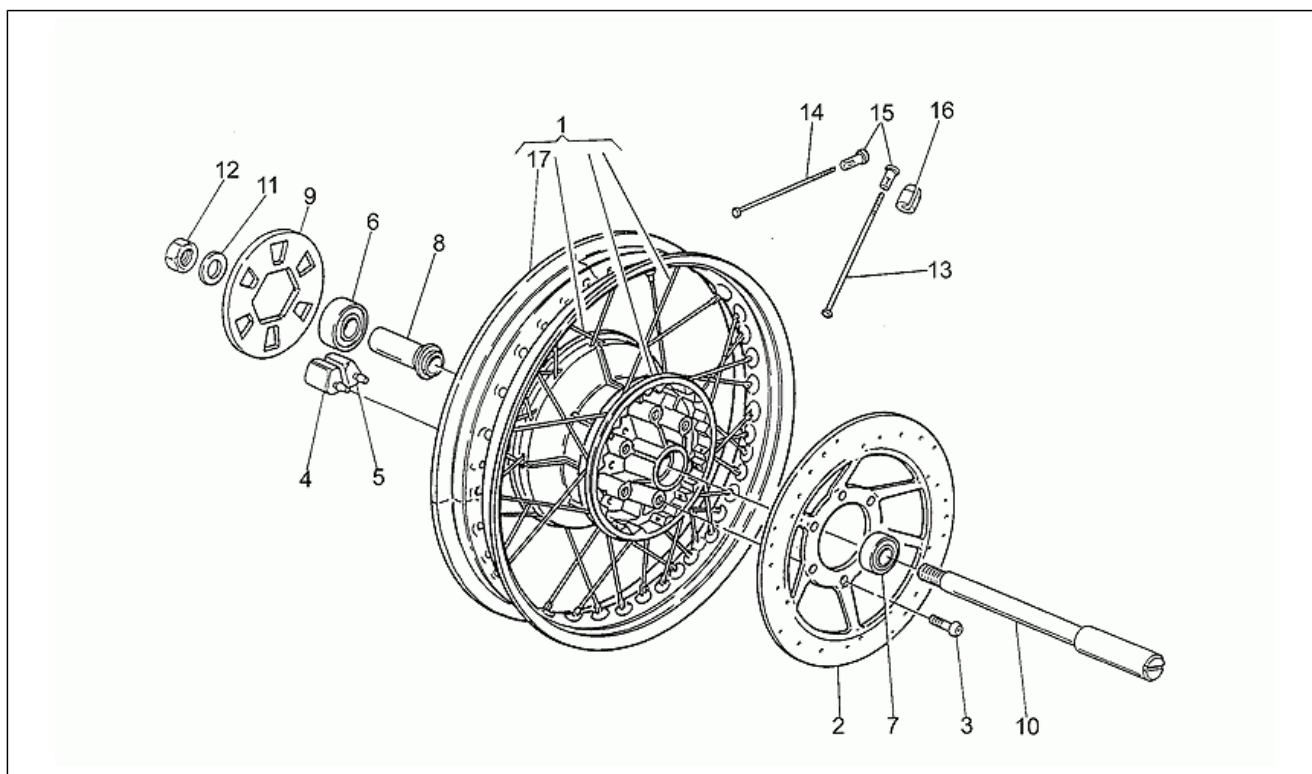
Pos.	Code	Beschrijving	Aant.	Varianten
1	GU31610365	Voorwiel naked 2,15x18"	1	Technical Specifications: See spare parts comm.n.038 of 2000[03800N]
2	GU39611601	Spaak	36	Technical Specifications: See spare parts comm.n.038 of 2000[03800N]
3	GU12616101	Tegengewicht 15 gr.	1	Technical Specifications: See spare parts comm.n.038 of 2000[03800N]
3	GU12616102	Tegengewicht 20 g	1	Technical Specifications: See spare parts comm.n.038 of 2000[03800N]
3	GU12616103	Tegengewicht 30 g	1	Technical Specifications: See spare parts comm.n.038 of 2000[03800N]
4	GU31620365	Flens	1	Technical Specifications: See spare parts comm.n.038 of 2000[03800N]
5	GU31615260	Afstandhouder lagere	1	Technical Specifications: See spare parts comm.n.038 of 2000[03800N]
6	GU92204221	Lager	2	Technical Specifications: See spare parts comm.n.038 of 2000[03800N]
7	GU95004217	Sluitring 17X27X2	1	Technical Specifications: See spare parts comm.n.038 of 2000[03800N]
8	GU92602516	Moer M16X1,5	1	Technical Specifications: See spare parts comm.n.038 of 2000[03800N]
9	GU31619865	Plaatje "Moto Guzzi"	1	Technical Specifications: See spare parts comm.n.038 of 2000[03800N]
10	GU30611460	Bout	10	Technical Specifications: See spare parts comm.n.038 of 2000[03800N]
11	GU98052460	Bout	5	Technical Specifications: See spare parts comm.n.038 of 2000[03800N]
12	GU14615901	Sluitring 8,4X13X0,8	5	Technical Specifications: See spare parts comm.n.038 of 2000[03800N]
13	GU92630508	Moer	5	Technical Specifications: See spare parts comm.n.038 of 2000[03800N]
14	GU28614100	Pin voorwiel	1	Technical Specifications: See spare parts comm.n.038 of 2000[03800N]

Groep	FRAME
Code	33.21
Beschrijving	Front wheel LX16500>
Revisie	1



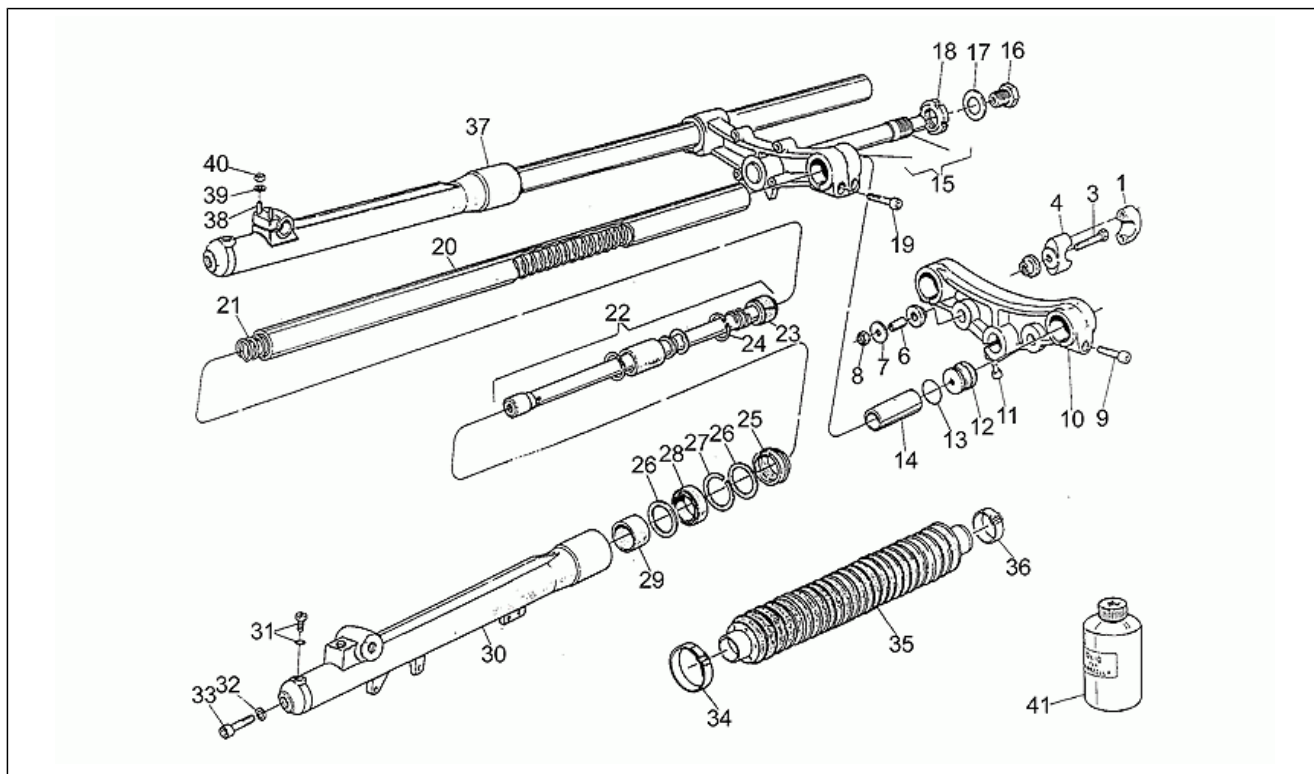
Pos.	Code	Beschrijving	Aant.	Varianten
15	GU91182027	Afstandhouder	1	Technical Specifications: See spare parts comm.n.038 of 2000[03800N]
16	GU23610870	Voorvelg 2,15x18"	1	Technical Specifications: See spare parts comm.n.038 of 2000[03800N]
17	GU31613635	Remschijf voor	2	Technical Specifications: See spare parts comm.n.038 of 2000[03800N]
18	GU30613760	Flens	2	Technical Specifications: See spare parts comm.n.038 of 2000[03800N]
19	GU28613560	Beslagring	10	Technical Specifications: See spare parts comm.n.038 of 2000[03800N]
20	GU28618860	Bekerveer	10	Technical Specifications: See spare parts comm.n.038 of 2000[03800N]
21	GU90271022	Seegerring	10	Technical Specifications: See spare parts comm.n.038 of 2000[03800N]
22	GU31762561	Overbrenging kilometerteller	1	Technical Specifications: See spare parts comm.n.038 of 2000[03800N]
23	GU91182007	Afstandhouder	1	Technical Specifications: See spare parts comm.n.038 of 2000[03800N]
24	GU55611700	Nippel	36	Technical Specifications: See spare parts comm.n.038 of 2000[03800N]

Groep	FRAME
Code	33.22
Beschrijving	Rear wheel
Revisie	1



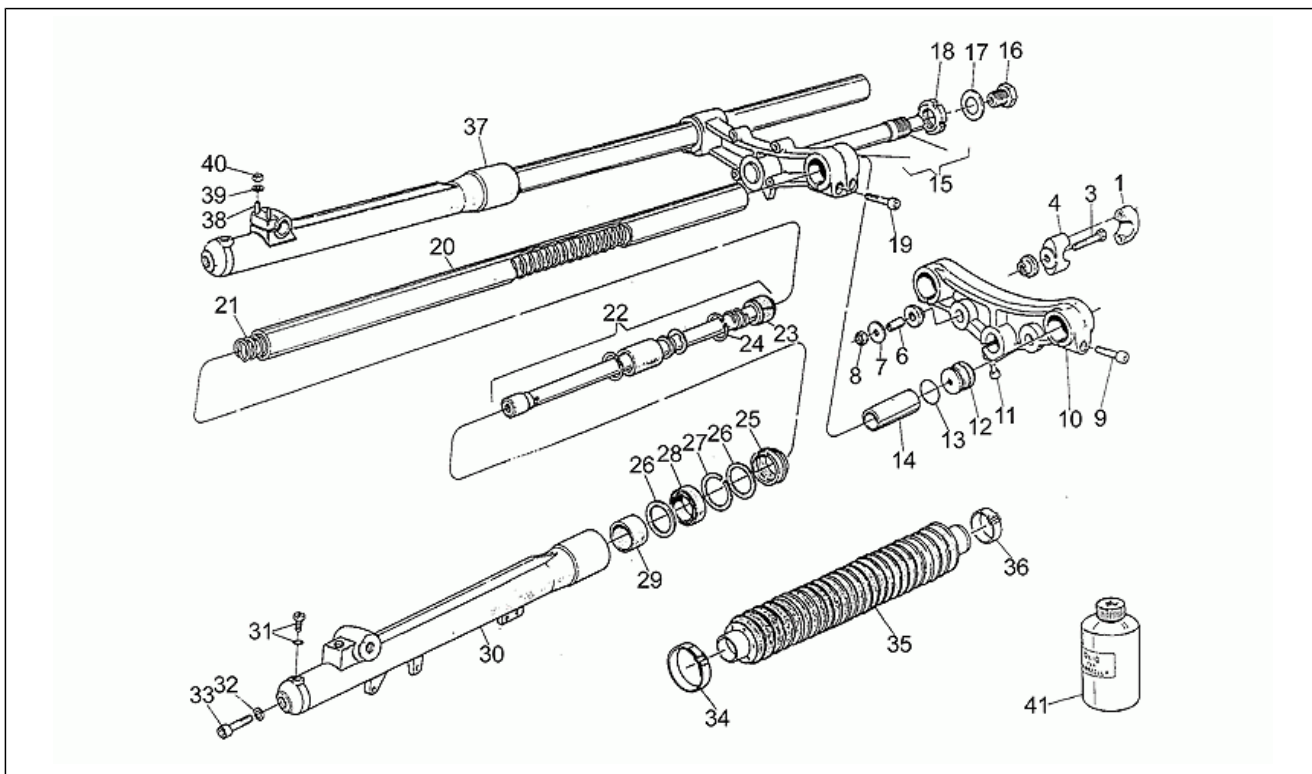
Pos.	Code	Beschrijving	Aant.	Varianten
1	GU23630370	Achterwiel	1	
2	GU31613335	Remschijf	1	
3	GU98612425	Bout	6	
4	GU19632501	Element schokbesch. re	6	
5	GU19632502	Element schokbesch. li	6	
6	GU92204218	Lager	1	
7	GU92204217	Lager	1	
8	GU27633910	Afstandhouder	1	
9	GU27356910	Afstandhouder	1	
10	GU31633330	Pin achterwiel	1	
11	GU14634400	Sluitring	1	
12	GU92602316	Moer M6x1,5	1	
13	GU23631470	Spaak lang	18	
14	GU23631170	Spaak kort	18	
15	GU27631250	Nippels	36	
16	GU27616110	Tegengewicht 10 gr.	1	
16	GU27616111	Tegengewicht 15 gr.	1	
16	GU27616112	Tegengewicht 20 g	1	
16	GU27616113	Tegengewicht 30 g	1	
17	GU23630770	Achtervelg 250x16"	1	

Groep	FRAME
Code	33.23
Beschrijving	Front shock absorber
Revisie	1



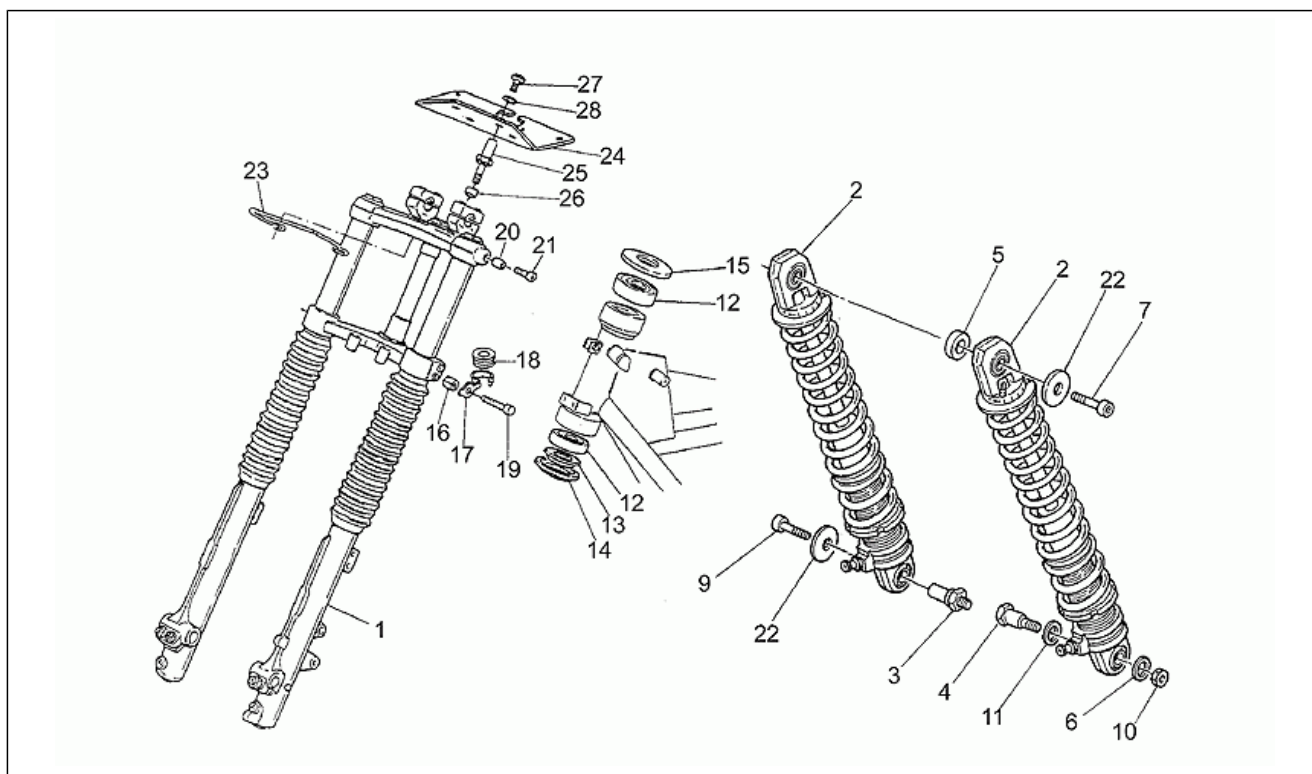
Pos.	Code	Beschrijving	Aant.	Varianten
1	GU27530501	Beugel bov.zwart	2	
3	GU66530501	Bout	2	
4	GU66500510	Beugel ond.zwart	2	
6	GU27530504	Buisje	2	
7	GU27530505	Plaatje	2	
8	GU27530506	Moer	2	
9	GU66530504	Bout	2	
10	GU27493170	Plaat bov.vork zwart	1	
11	GU66530505	Bout M8x30	4	
12	GU27530575	Dop	2	
13	GU27530576	O-ring	2	
14	GU31526336	Buis	2	
15	GU27494070	Plaat ond.zwart	1	
16	GU27530509	Moer	1	
17	GU27530510	Sluitring	1	
18	GU27530511	Moer	1	
19	GU98620335	Bout M6x35	4	
20	GU27525415	Stang	2	
21	GU31526636	Veer	2	
22	GU27530578	Pompend deel cpl.	2	
23	GU27530579	Dichtingsring	2	
24	GU27530580	Stopring	2	
25	GU27530581	Stofkeerring	2	
26	GU27530582	Sluitring	4	
27	GU27530583	Elastische ring	2	
28	GU27530584	Dichtingsring 40x52x9,5	2	
29	GU27530585	Beslagring	2	
30	GU27522670	Hulsel li	1	Technical Specifications:Until frame <LX16499[T1]

Groep	FRAME
Code	33.23
Beschrijving	Front shock absorber
Revisie	1



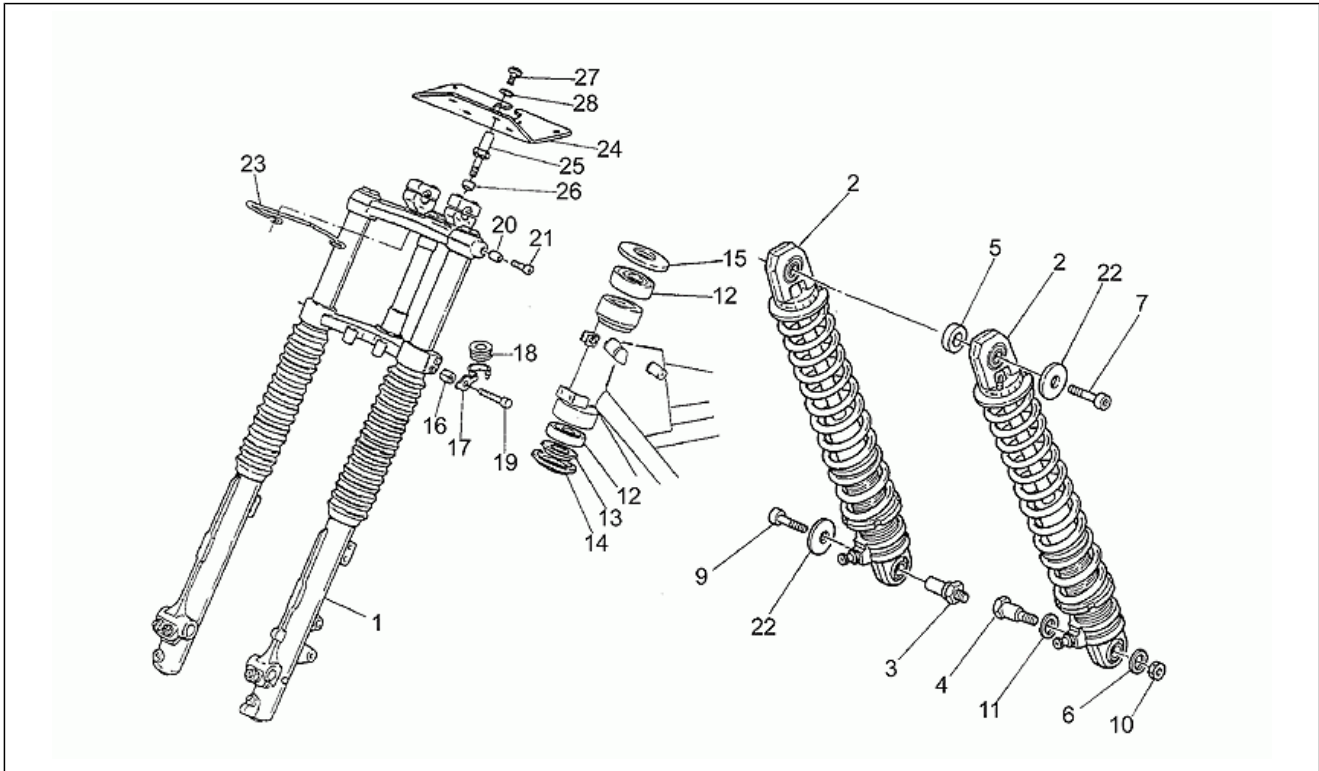
Pos.	Code	Beschrijving	Aant.	Varianten
30	GU31522637	Hulsel re	1	Technical Specifications: See spare parts comm.n.038 of 2000[03800N], From frame LX16500[T2]
31	GU27530523	Bout	2	
32	GU27530591	Sluitring	2	
33	GU27530592	Bout	2	
34	GU27530586	Klemmetje	2	
35	GU27530530	Blower vork	2	
36	GU27530587	Klemmetje	2	
37	GU27522570	Hulsel re	1	Technical Specifications: Until frame <LX16499[T1]
37	GU31522537	Hulsel re	1	Technical Specifications: See spare parts comm.n.038 of 2000[03800N], From frame LX16500[T2]
38	GU27530522	Stiftbout	2	
39	GU27530521	Sluitring	2	
40	GU27530520	Zelfborg.moer	2	
41	GU27530531	Motorolie SAE 20	1	

Groep	FRAME
Code	33.24
Beschrijving	Front/rear shock absorber
Revisie	1



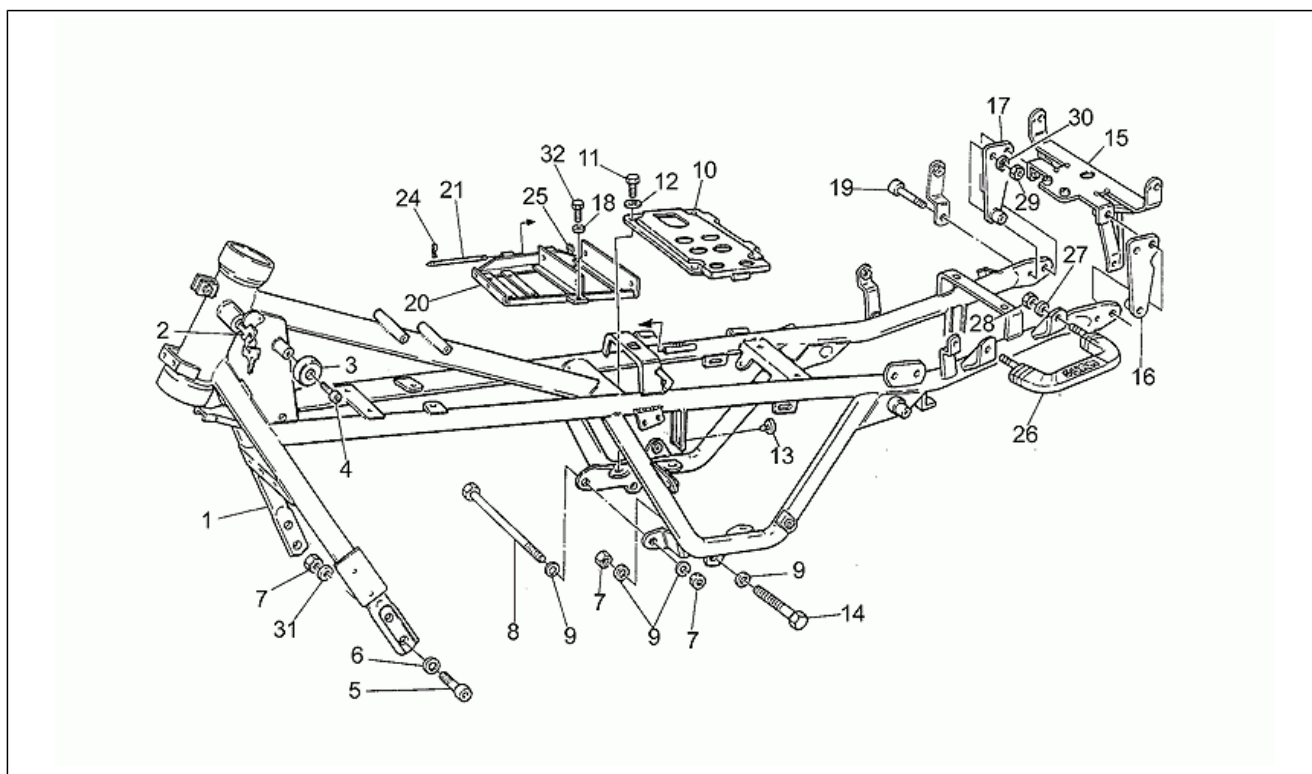
Pos.	Code	Beschrijving	Aant.	Varianten
1	GU31490236	Voorvork	1	Technical Specifications: Until frame <LX16499[T1]
1	GU31490237	Voorvork	1	Technical Specifications: See spare parts comm.n.038 of 2000[03800N], From frame LX16500[T2]
2	GU31550235	Schokdemper acht.Dubbel	2	
3	GU23555281	Pin	1	
4	GU23555280	Pin	1	
5	GU91181407	Afstandhouder	2	
6	GU95007210	Sluitring	1	
7	GU98812420	Bout	2	
9	GU98812416	Bout	1	
10	GU92602411	Moer	1	
11	GU23557690	Sluitring	1	
12	GU92249225	Conische kogellager	2	
13	GU14516700	Steunende sluitring	2	
14	GU14517000	Stofkeerring	2	
15	GU14494600	Plaatje	1	
16	GU27504915	Afstandhouder	1	
17	GU27658415	Kabelgeleider	2	
18	GU27658215	Ring	2	
19	GU98620335	Bout M6x35	1	
20	GU91180802	Afstandhouder	1	
21	GU98620440	Bout	1	
22	GU95100256	Sluitring	3	
23	GU31658330	Kabelwartel	1	
24	GU31502335	Plaat	1	
25	GU28500745	Kolommetje	4	
26	GU28462645	Afstandhouder	4	
27	GU98230822	Bout bov.	4	

Groep	FRAME
Code	33.24
Beschrijving	Front/rear shock absorber
Revisie	1



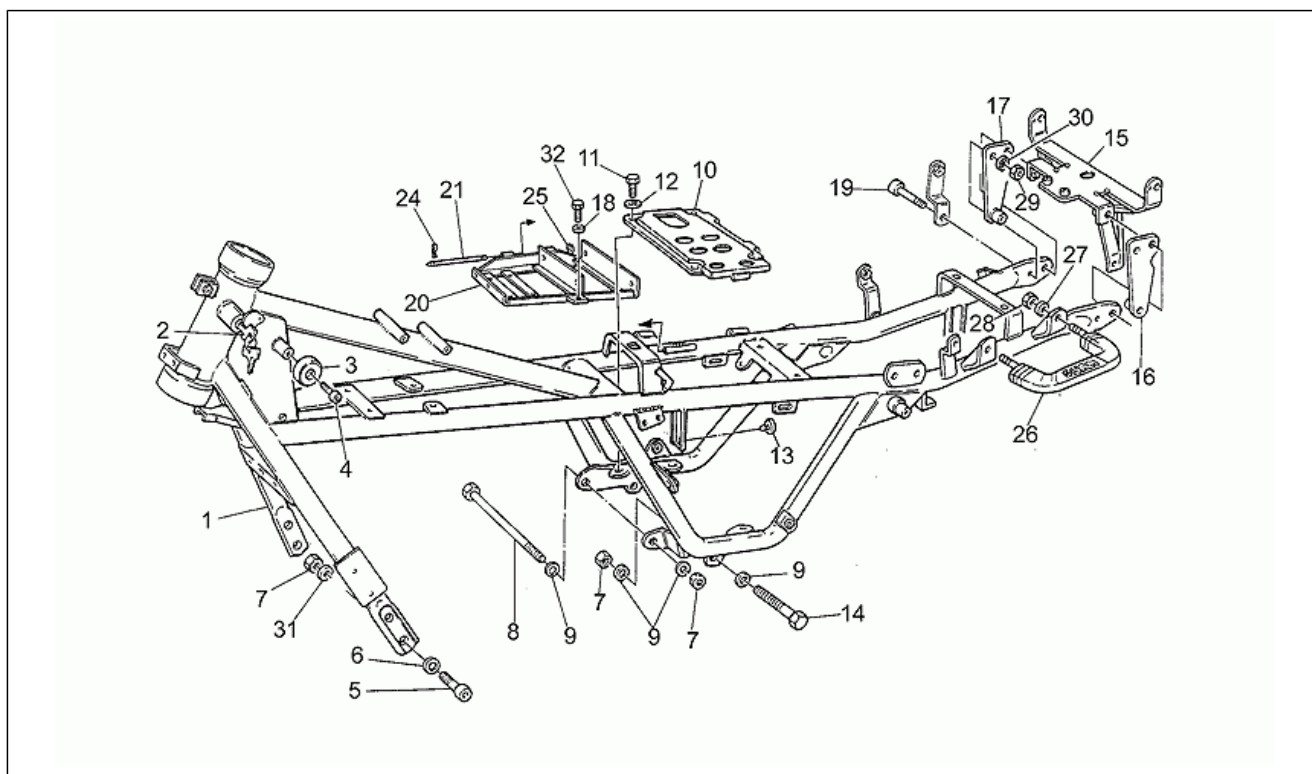
Pos.	Code	Beschrijving	Aant.	Varianten
28	GU14615901	Sluitring 8,4X13X0,8	4	

Groep	FRAME
Code	33.25
Beschrijving	Frame
Revisie	1



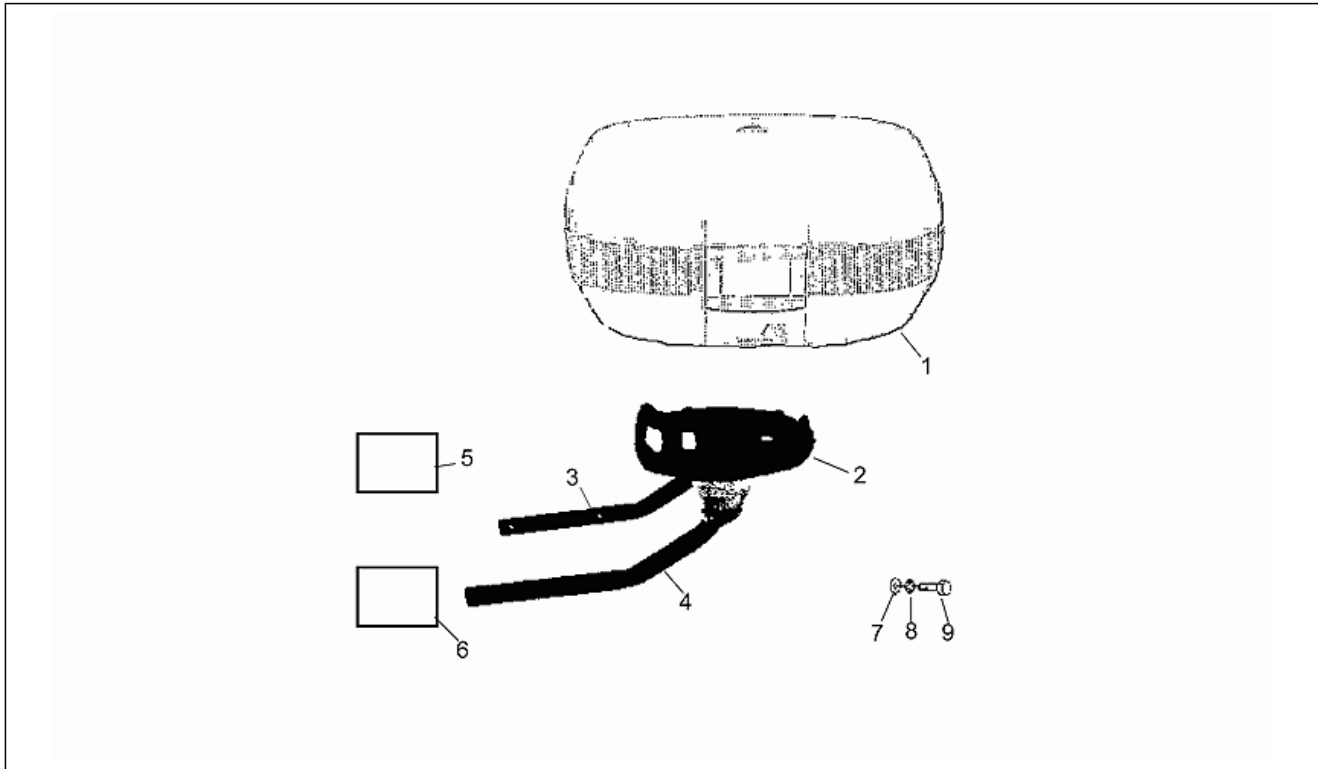
Pos.	Code	Beschrijving	Aant.	Varianten
1	GU31400136	Frame	1	Technical Specifications: Until frame <LX16499[T1]
1	GU31400137	Frame	1	Technical Specifications: See spare parts comm.n.038 of 2000[03800N], From frame LX16500[T2]
2	GU19782520	Slot	1	
3	GU66103415	Rubbertje	2	
4	GU98622420	Bout	2	
5	GU98612525	Bout	2	
6	GU95120105	Sluitring	4	
7	GU92602210	Moer	7	
8	GU98110202	Bout	1	
9	GU95007210	Sluitring	6	
10	GU27418215	Plaat accuhouder	1	
11	GU98054416	Zeskantbout	4	
12	GU95000208	Sluitring	4	
13	GU19705900	Buffer	2	
14	GU98072555	Zeskantbout	2	
15	GU31463635	Plaat	1	
16	GU31439335	Plaat	1	
17	GU31439235	Plaat	1	
18	GU95004204	Sluitring	1	
19	GU98812420	Bout	3	
20	GU31477435	Steunplaat	1	
21	GU31479430	Pin	1	
24	GU95401218	Splitpen	1	
25	GU90280005	Veiligheidsring	1	
26	GU31464330	Handgreep	1	
27	GU95000208	Sluitring	2	
28	GU92630108	Moer	2	

Groep	FRAME
Code	33.25
Beschrijving	Frame
Revisie	1



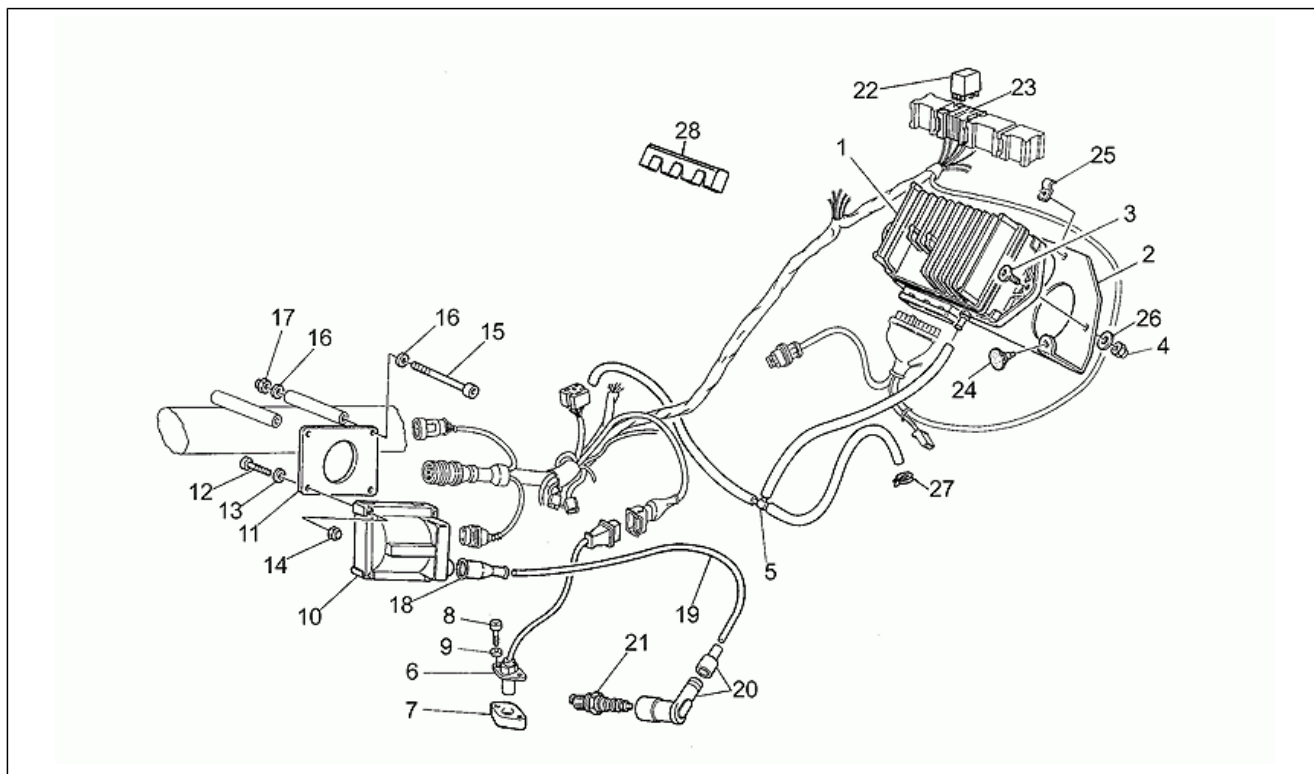
Pos.	Code	Beschrijving	Aant.	Varianten
29	GU92630508	Moer	2	
30	GU95004208	Sluitring	2	
31	GU95021110	Getande sluitring	4	
32	GU98054116	Bout	1	

Groep	FRAME
Code	33.26
Beschrijving	Rome Police top box
Revisie	1



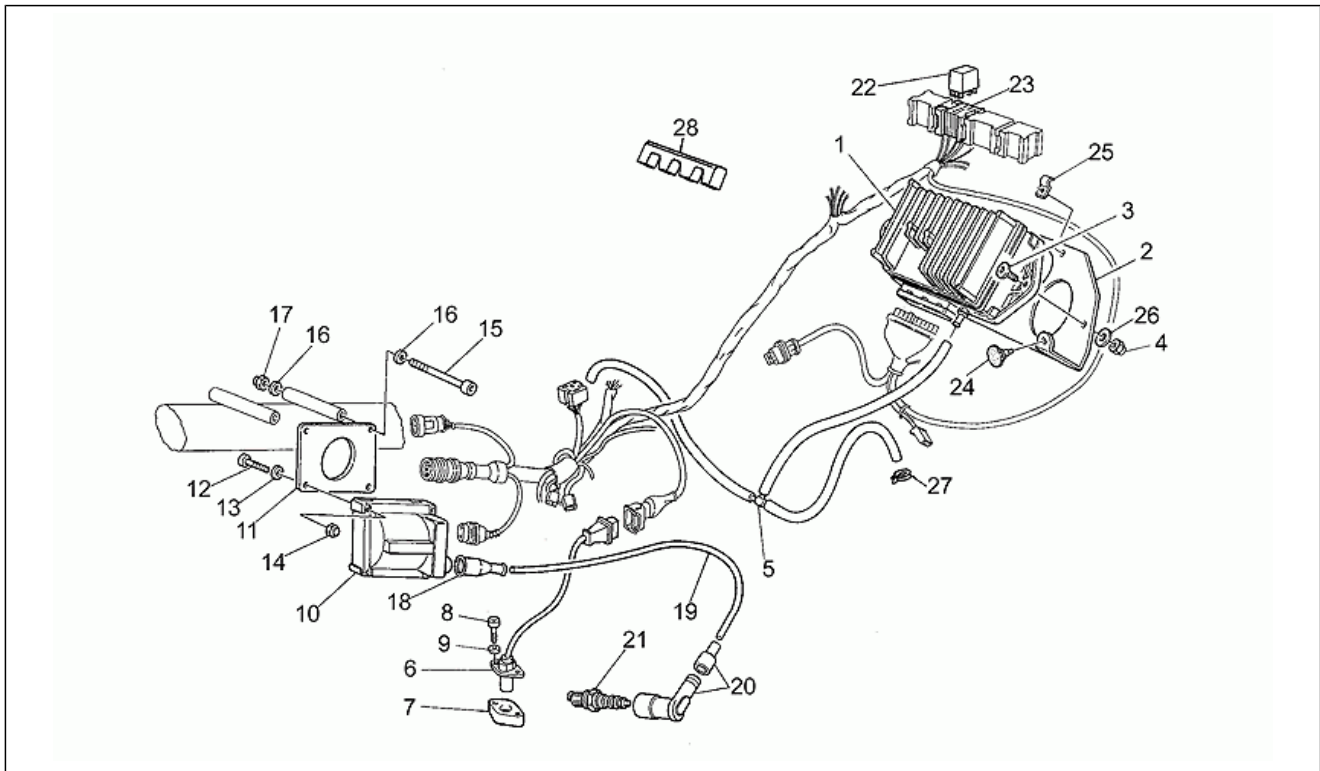
Pos.	Code	Beschrijving	Aant.	Varianten
1	GU31487637	Koffertje	1	Kleur van het voertuig:Municipal Police Roma[PR]
2	GU29487762	Steunplaat	1	Kleur van het voertuig:Municipal Police Roma[PR]
3	GU31487836	Houder re GIVI	1	Kleur van het voertuig:Municipal Police Roma[PR]
4	GU31487837	Houder li GIVI	1	Kleur van het voertuig:Municipal Police Roma[PR]
5	GU31487037	Plaat re GIVI	1	Kleur van het voertuig:Municipal Police Roma[PR]
6	GU31487137	Plaat li GIVI	1	Kleur van het voertuig:Municipal Police Roma[PR]
7	GU31488437	Afstandhouder	4	Kleur van het voertuig:Municipal Police Roma[PR]
8	GU14615901	Sluitring 8,4X13X0,8	4	Kleur van het voertuig:Municipal Police Roma[PR]
9	GU98230830	Bout	4	Kleur van het voertuig:Municipal Police Roma[PR]

Groep	FRAME
Code	33.27
Beschrijving	Digiplex electrical system
Revisie	1



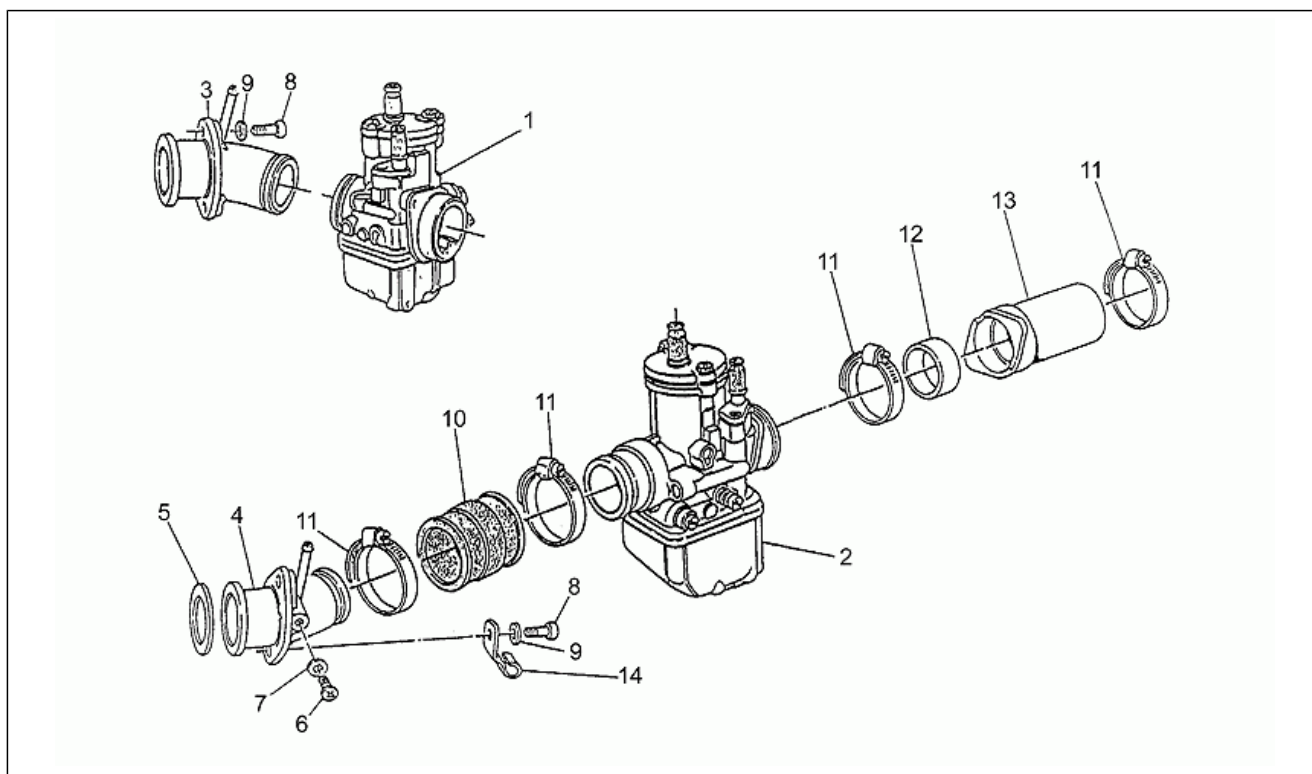
Pos.	Code	Beschrijving	Aant.	Varianten
1	GU31721465	Centrale MED 501A	1	
2	GU31723835	Steun	1	
3	GU98230622	Bout	2	
4	GU92630206	Moer M6x1	2	
5	GU20108120	Buis centrale-aanz.	1	
6	GU20721610	Fasesensor	1	
7	GU31722065	Flens sensor fase	1	
8	GU98620222	Bout	2	
9	GU95004205	Sluitring	2	
10	GU30716500	H.S. bobine	2	
11	GU20716720	Steun bobine	2	
12	GU98610125	Bout	4	
13	GU95004204	Sluitring	4	
14	GU92630104	Moer M4x0,7	4	
15	GU98620360	Bout	2	
16	GU95004206	Sluitring 6,15x11x0,8	4	
17	GU92630106	Moer M6x1	2	
18	GU14717600	Kapje	2	
19	GU17718350	Hoogspanningskabel	2	
20	GU30717410	Pipet bougie NGK	2	
21	GU31717061	Bougie NGK BR8ES	2	Technical Specifications: See spare parts comm.n.038 of 2000[03800N]
22	GU30732560	Relais siemens A302/B1008	1	
23	GU30732400	Steun relais	1	
24	GU19705900	Buffer	2	
25	GU93301175	Beugel	2	
26	GU95000206	Sluitring	2	
27	GU61108500	Klemmetje D9	3	

Groep	FRAME
Code	33.27
Beschrijving	Digiplex electrical system
Revisie	1



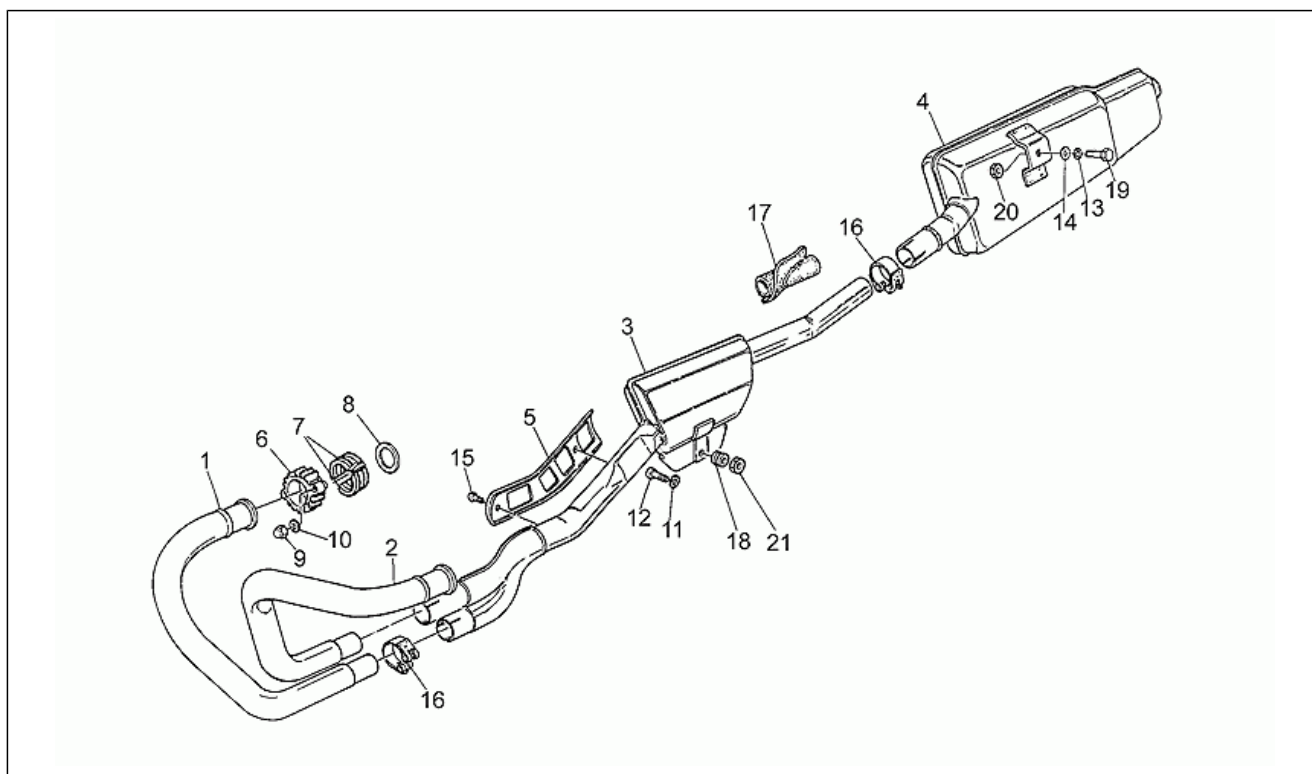
Pos.	Code	Beschrijving	Aant.	Varianten
28	GU19025300	Antitrilplaat	1	

Groep	FRAME
Code	33.29
Beschrijving	Fuel supply
Revisie	1



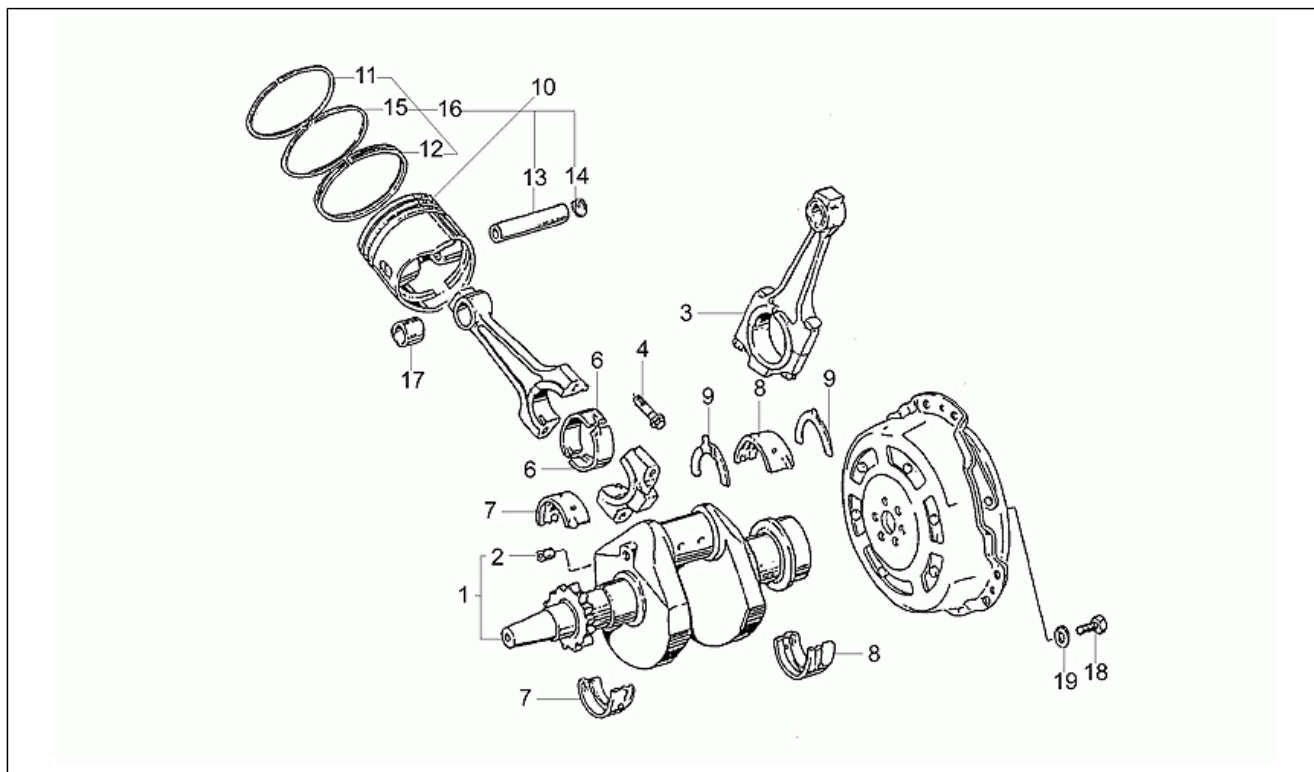
Pos.	Code	Beschrijving	Aant.	Varianten
1	GU23112674	Carburator re PHBH 30BD	1	Technical Specifications: Until frame <LX16499[T1]
1	GU31112630	Carburator re PHBH 30 BD	1	Technical Specifications: See spare parts comm.n.038 of 2000[03800N], From frame LX16500[T2]
2	GU23112675	Carburator li PHBH 30BS	1	Technical Specifications: Until frame <LX16499[T1]
2	GU31112631	Carburator li PHBH 30 BS	1	Technical Specifications: See spare parts comm.n.038 of 2000[03800N], From frame LX16500[T2]
3	GU31115037	Aanzuigcollector re	1	
4	GU31115038	Aanzuigcollector li	1	
5	GU19115580	Pakking	2	
6	GU98310611	Speciale bout	2	
7	GU95100116	Sluitring 6,25x10x1,5	2	
8	GU98612325	Bout M6x25	4	
9	GU61013800	Speciale sluitring	4	
10	GU19114360	Mof	2	
11	GU93305032	Klemmetje 32X52X8	8	
12	GU19114680	Dichtingsring	2	
13	GU19114460	Mof luchtinlaat	2	
14	GU19718000	Klemmetje	2	

Groep	FRAME
Code	33.37
Beschrijving	Exhaust unit
Revisie	1



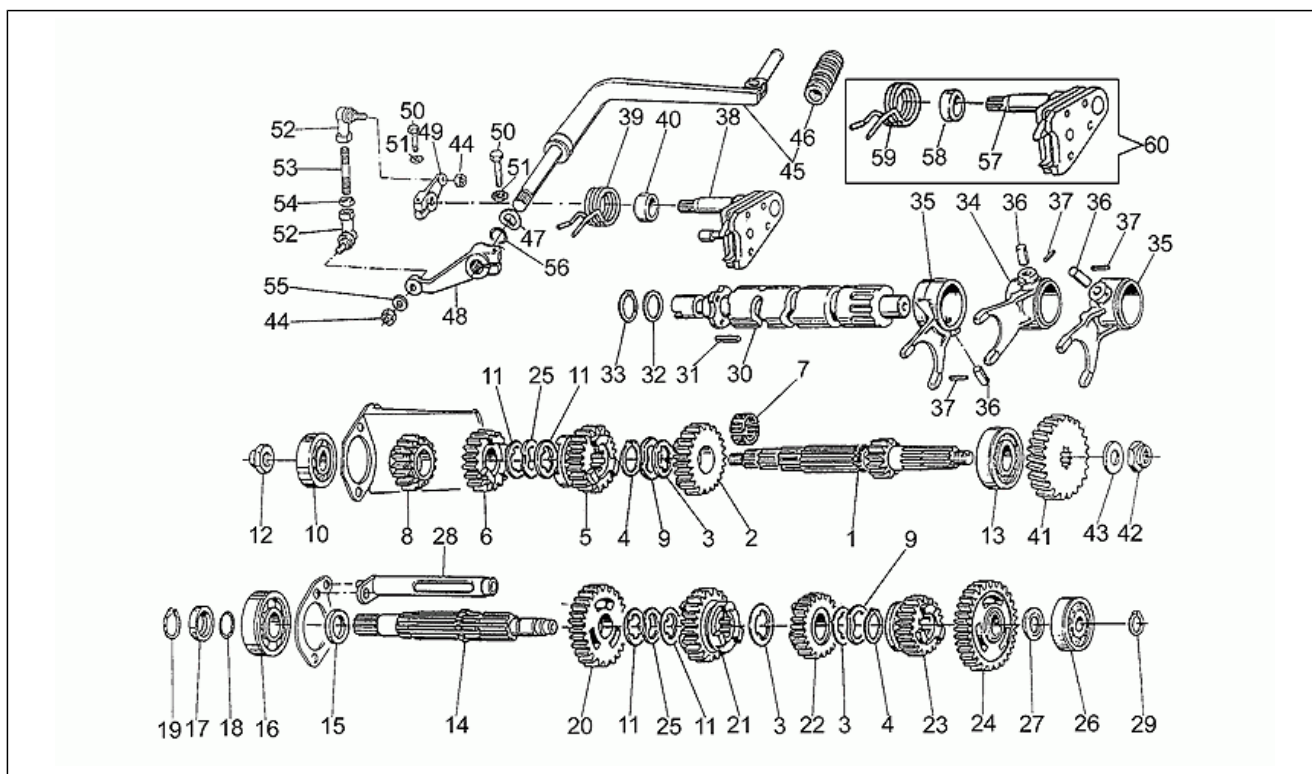
Pos.	Code	Beschrijving	Aant.	Varianten
1	GU31120730	Buis afvoer re	1	
2	GU31120731	Buis uitlaat li	1	
3	GU27123915	Expansiekamer	1	
4	GU27122915	Geluiddemper	1	
5	GU27121915	Bescherming uitlaatpijpen	1	
6	GU61025100	Moer	2	
7	GU19025460	Afstandhouder	4	
8	GU19025280	Pakking	2	
9	GU92781082	Moer blind	4	
10	GU61013800	Speciale sluitring	4	
11	GU95100256	Sluitring	1	
12	GU98074420	Bout	1	
13	GU95000206	Sluitring	1	
14	GU95021106	Getande sluitring	1	
15	GU98290608	Bout	2	
16	GU27123415	Klemmetje	3	
17	GU27126615	Rubbetje	1	
18	GU27128115	Rubbetje	1	
19	GU98074316	Bout	1	
20	GU92601206	Moer	1	
21	GU92630108	Moer	1	

Groep	ENGINE
Code	34.28
Beschrijving	Drive shaft
Revisie	1



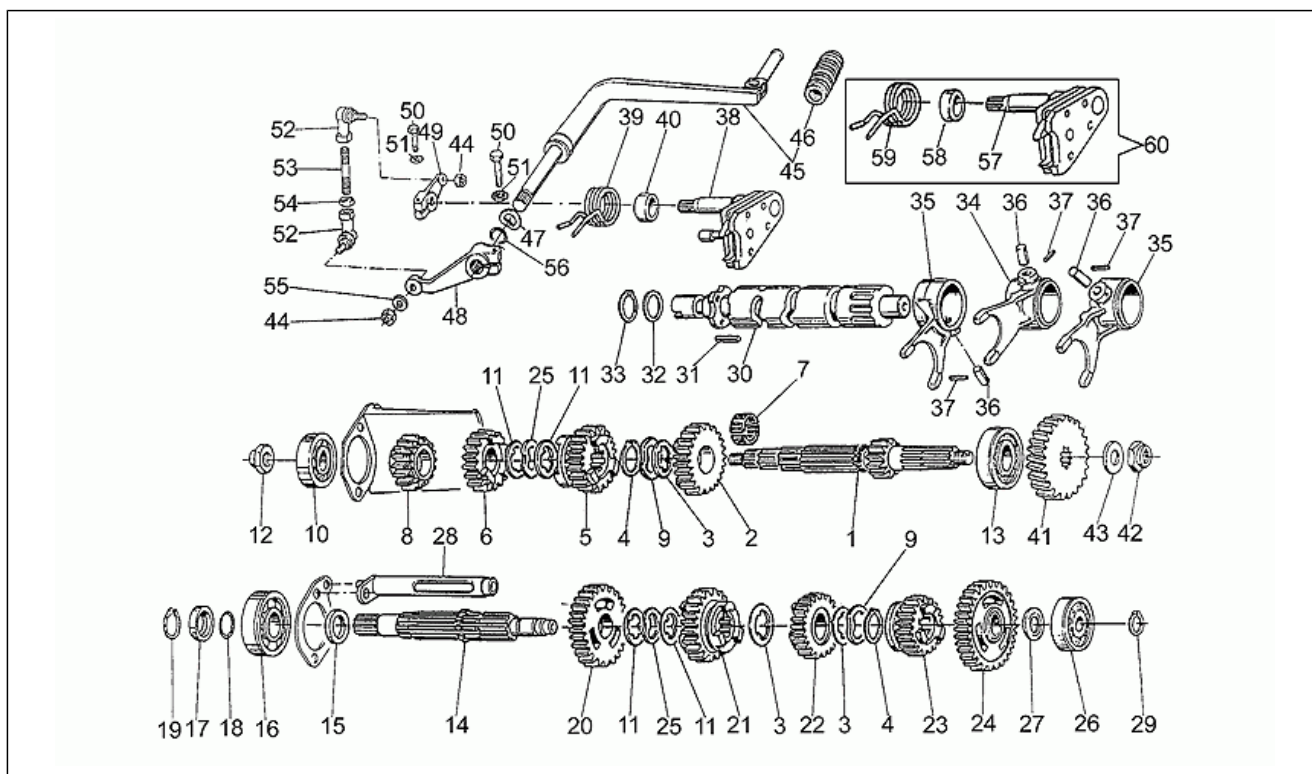
Pos.	Code	Beschrijving	Aant.	Varianten
1	GU27064185	Drijfjas cpl.	1	Technical Specifications: For generator/regulator BOSCH[B]
1	GU31064165	Drijfjas cpl.	1	Technical Specifications: For generator/regulator DUCATI[D]
2	GU19065400	Dop	1	
3	GU27061585	Drijfstang cpl.	2	
4	GU19062261	Bout	4	
6	GU27062060	Halfdop kussenblok	4	
7	GU27065660	Halfdop kussenblok voor	2	
8	GU27066560	Halfdop kussenblok acht.	2	
9	GU27066460	Halfsluitring	2	
10	GU20060220	Zuiger cpl.	2	Technical Specifications: See spare parts comm.n.008 of 2000[00800N]
11	GU19060763	Holle elastische band 1e	2	
12	GU19061063	Band olieschraap	2	
13	GU27061285	Zuigerpen	2	
14	GU27061385	Blokkeerring	4	
15	GU27060860	Holle elastische band 2e	2	
16	GU31060616	Kit elastische banden	2	
17	GU27061885	Beslagring	2	
18	GU19067700	Bout	6	
19	GU14615901	Sluitring 8,4X13X0,8	6	

Groep	ENGINE
Code	34.30
Beschrijving	Gear box
Revisie	1



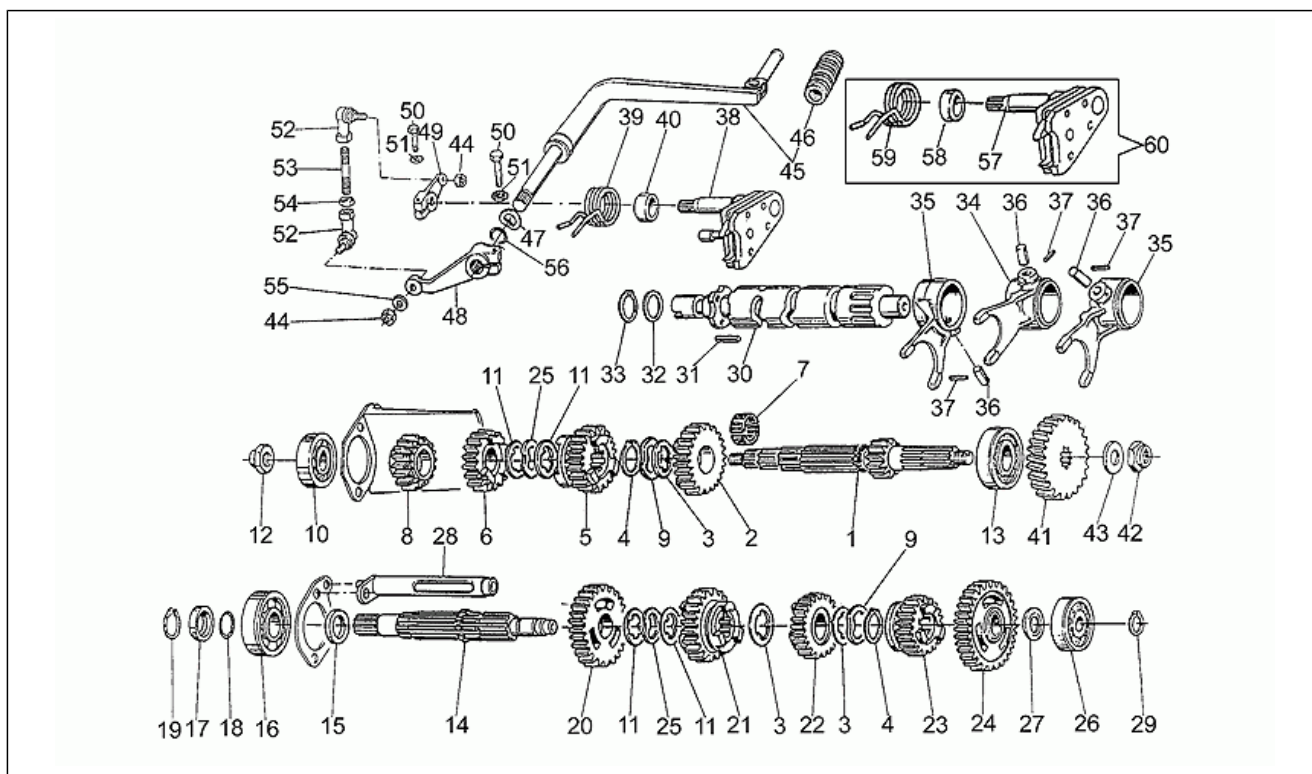
Pos.	Code	Beschrijving	Aant.	Varianten
1	GU23210570	Primaire as Z=11	1	
2	GU23212070	Raderwerk 5a AP Z=20	1	
3	GU19215460	Schraapring	3	
4	GU90271127	Seegerring	2	
5	GU19211861	Raderwerk 4a AP Z=18	1	
6	GU19211460	Raderwerk 3a AP Z=18	1	
7	GU92251023	Rollenkooi	1	
8	GU19211361	Raderwerk 2a AP Z=14	1	Technical Specifications:Until gear >GP16327[C1]
8	GU23211372	Raderwerk 2a AP Z=14	1	Technical Specifications:From gear GP16328[C2]
9	GU19218062	Sluitring gegolfd	2	
10	GU92218417	Lager AP 17x40x17,5	1	
11	GU19214660	Steunende sluitring	4	
12	GU10054100	Veiligheidsmoer	1	
13	GU92230320	Lager AP 20x37x17	1	
14	GU19213661	Secundaire as	1	
15	GU19212900	Afstandhouder	1	
16	GU92201220	Lager 20X47X14	1	
17	GU19213720	Afstandhouder	1	
18	GU90706188	Dichtingsring 18,77X1,78	1	
19	GU90271121	Seegerring	1	
20	GU23214571	Raderwerk 2a AS Z=23	1	Technical Specifications:Until gear >GP16327[C1]
20	GU23214572	Raderwerk 2a AS Z=23	1	Technical Specifications:From gear GP16328[C2]
21	GU19214860	Raderwerk 3a AS Z=23	1	
22	GU19215161	Raderwerk 4a AS Z=19	1	
23	GU23215270	Raderwerk 5a AS Z=18	1	
24	GU23214071	Raderwerk 1a AS Z=26	1	
25	GU19218061	Sluitring gegolfd	2	
26	GU92234716	Lager	1	

Groep	ENGINE
Code	34.30
Beschrijving	Gear box
Revisie	1



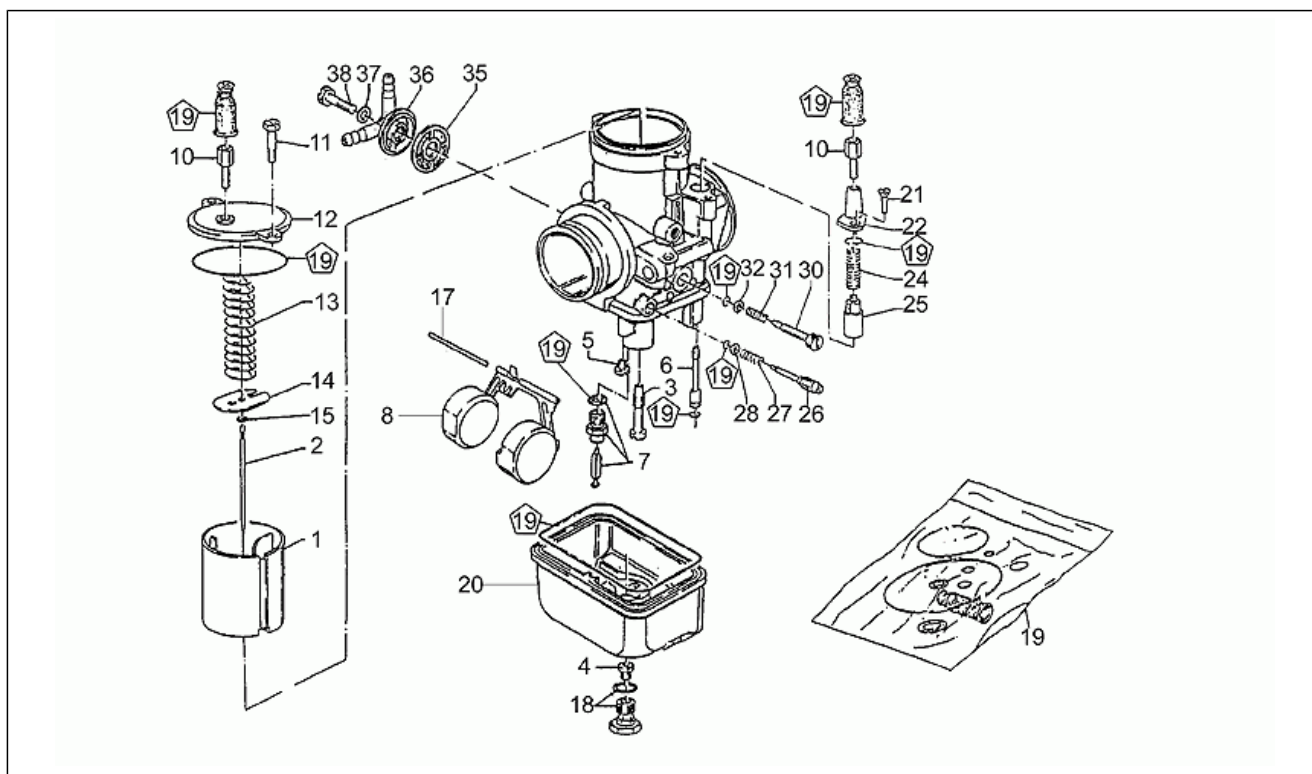
Pos.	Code	Beschrijving	Aant.	Varianten
27	GU10214301	Dikte 1,7 mm	1	
27	GU10214302	Dikte 1,8 mm	1	
27	GU10214303	Dikte 1,9 mm	1	
27	GU10214304	Sluitring 2 mm	1	
27	GU10214305	Dikte 2,1 mm	1	
28	GU23202074	Druiper	1	
29	GU90271117	Seegerring	1	
30	GU19234420	Shift cam	1	
31	GU19234600	Pin	4	
32	GU19355300	Dikte 1 mm	1	
33	GU90271020	Elastische ring	1	
34	GU19231220	Vork AP	1	
35	GU19231020	Vork AS	2	
36	GU92297909	Rol	3	
37	GU95520316	Plug	3	
38	GU20999520	Kit voorschakelaar	1	Technical Specifications: See spare parts comm.n.013 of 1997[01397N]
39	GU61238200	Trekveer schakelaar	1	
40	GU91182010	Beslagring	1	
41	GU19211160	Raderwerk Z=22	1	
42	GU10054100	Veiligheidsmoer	1	
43	GU39238100	Steunende sluitring	1	
44	GU92630106	Moer M6x1	2	
45	GU27250815	Versnellingshendel	1	
46	GU27251015	Rubbetje	1	
47	GU95129260	Elastische sluitring	1	
48	GU19256920	Hendel overbrenging	1	
49	GU19258220	Hendel voorschakelaar	1	

Groep	ENGINE
Code	34.30
Beschrijving	Gear box
Revisie	1



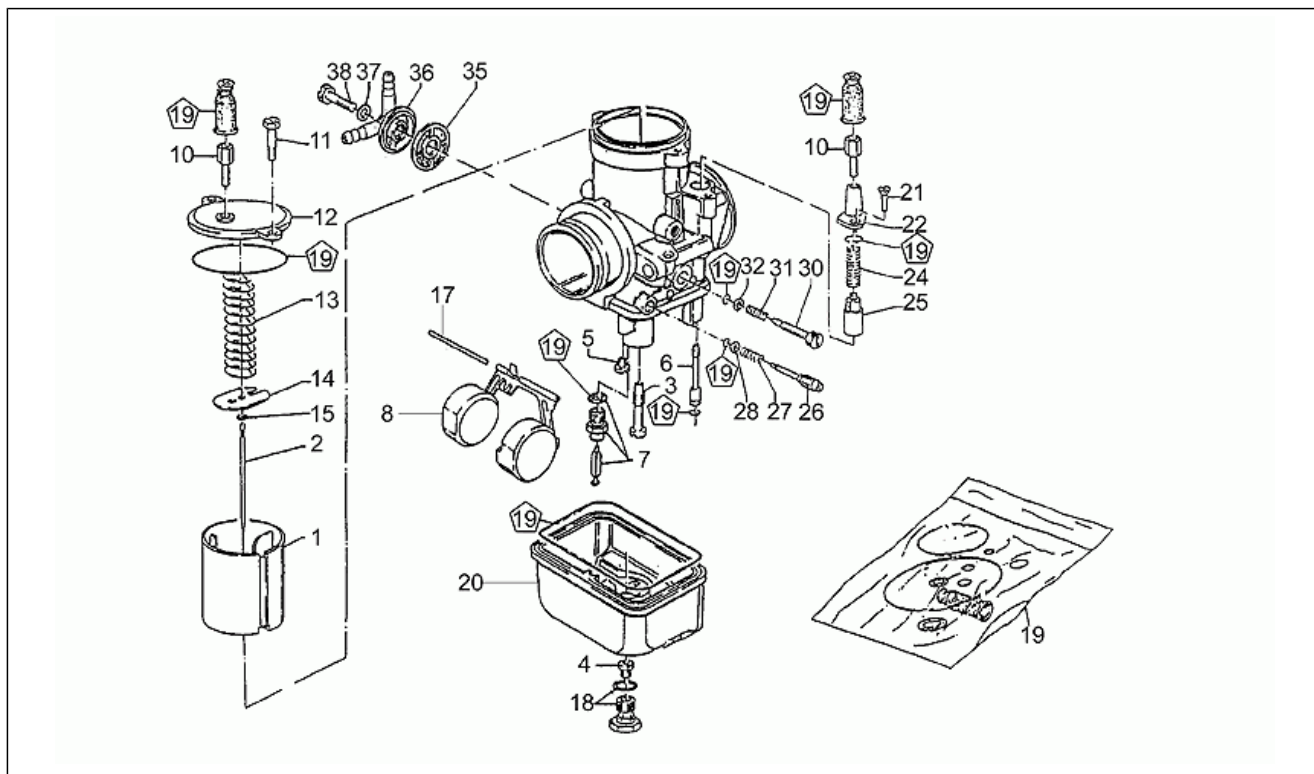
Pos.	Code	Beschrijving	Aant.	Varianten
50	GU98052325	Bout	2	
51	GU95021106	Getande sluitring	2	
52	GU28258160	Buigpunt	2	
53	GU27257715	Stiftbout	1	
54	GU92602206	Moer	2	
55	GU95000206	Sluitring	1	
56	GU90706141	OR-ring	2	
57	GU20236220	Voorschakelaar cpl.	1	Technical Specifications: See spare parts comm.n.013 of 1997[01397N]
58	GU20208520	Afstandhouder	1	Technical Specifications: See spare parts comm.n.013 of 1997[01397N]
59	GU28238261	Trekveer schakelaar	1	Technical Specifications: See spare parts comm.n.013 of 1997[01397N]
60	GU20999520	Kit voorschakelaar	1	Technical Specifications: See spare parts comm.n.013 of 1997[01397N]

Groep	ENGINE
Code	34.31
Beschrijving	Carburettor
Revisie	1



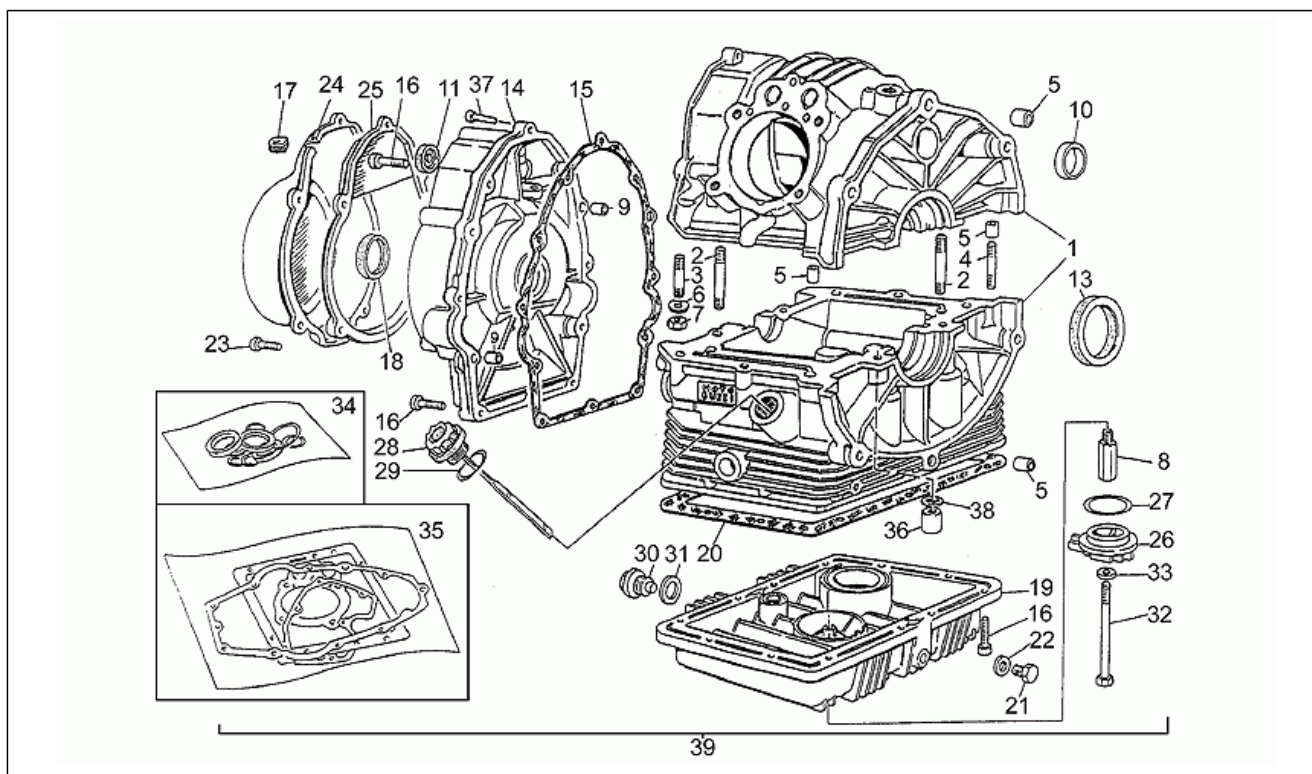
Pos.	Code	Beschrijving	Aant.	Varianten
1	GU23934870	Gasklep 45	2	
2	GU19934960	Conische huls 8	2	
3	GU19935580	Verstuiver 268T	2	
4	GU19935750	Maximum sproeier 105	2	
5	GU27935960	Minimum sproeier 38	2	
6	GU19936000	Straal start 60	2	
7	GU19934600	Naaldklep	2	
8	GU27934315	Drijver gr.9,5	2	
10	GU12937200	Bout draadspanner	4	
11	GU14934650	Bout	2	
12	GU19935080	Bedekking	2	
13	GU19937180	Trekveer gasklep	2	
14	GU19938580	Plaatje	2	
15	GU65933600	Sluiting conische huls	2	
17	GU13933100	Pin van de drijver	2	
18	GU27933720	Dop bevestiging kuip	2	
19	GU19939980	Kit pakkingen	1	
20	GU19934480	Kuip aluminium	2	
20	GU31934460	Reservoir plastica	2	Technical Specifications: See spare parts comm.n.033 of 1999[03399N]
21	GU13937900	Bout	2	
22	GU17937450	Bedekking start	2	
24	GU39937600	Veer klep	2	
25	GU13937800	Startklep	2	
26	GU13936200	Regelbout van het minimum toerental	2	
27	GU13936300	Veer	2	
28	GU65933700	Vlakke rondel	2	
30	GU13936600	Bout regeling gasklep	2	

Groep	ENGINE
Code	34.31
Beschrijving	Carburettor
Revisie	1



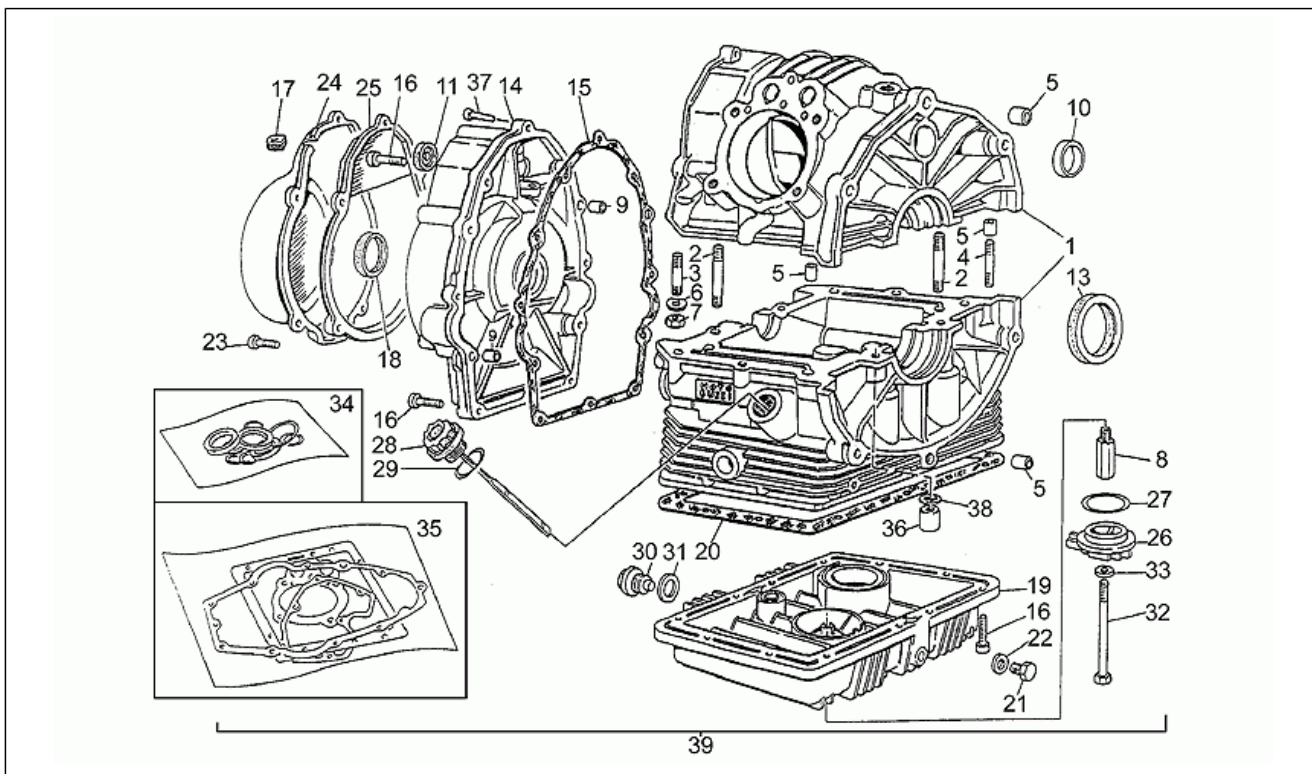
Pos.	Code	Beschrijving	Aant.	Varianten
31	GU13936700	Veer	2	
32	GU14931650	Vlakke rondel	2	
35	GU43934000	Benzinefilter	2	
36	GU13934600	Pipet verbinding benzineleiding	2	
37	GU13934700	Pakking bout	2	
38	GU10934900	Bout bevestiging pipet	2	

Groep	ENGINE
Code	34.32
Beschrijving	Crankcase
Revisie	1



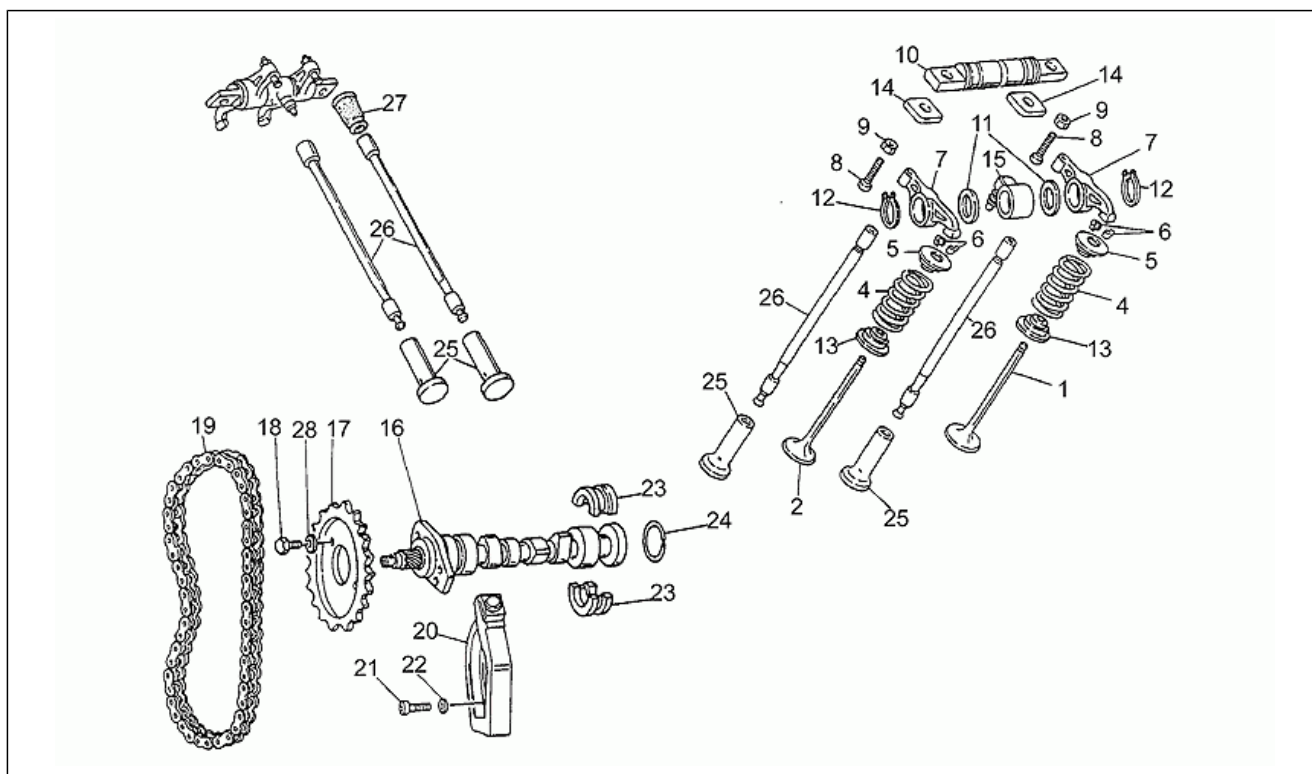
Pos.	Code	Beschrijving	Aant.	Varianten
1	GU31000331	Carter motor	1	
2	GU96451560	Stiftbout	4	
3	GU96451430	Stiftbout	4	
4	GU96508055	Stiftbout	2	
5	GU19015020	Beslagring	4	
6	GU61270300	Elastische sluitring 8x15x0,3	6	
7	GU92602208	Moer	6	
8	GU19003800	Verbinding	1	
9	GU19002020	Beslagring 6,6x9x13	2	
10	GU19016320	Dop	1	
11	GU90401530	Dichtingsring	1	
13	GU90405367	Dichtingsring	1	
14	GU31001431	Bedekking distrib.	1	
15	GU19001200	Pakking	1	
16	GU98610325	Bout	22	
17	GU19007700	Rubbertje	1	
18	GU90402840	Dichtingsring 28x38x7	1	
19	GU31003531	Oliecarter van de motor	1	
20	GU19003602	Pakking	1	
21	GU31003766	Afvoerdop olie M10x1	1	
22	GU10528900	Pakking in aluminium	1	
23	GU98610335	Binnenzeskantbout	4	
24	GU27001636	Bedekking generator	1	
25	GU27001136	Flens bedekking alternator	1	
26	GU31003431	Bedekking	1	
27	GU90706444	OR-ring	1	
28	GU27004985	Invoerdop olie	1	
29	GU90706282	Dichtingsring	1	

Groep	ENGINE
Code	34.32
Beschrijving	Crankcase
Revisie	1



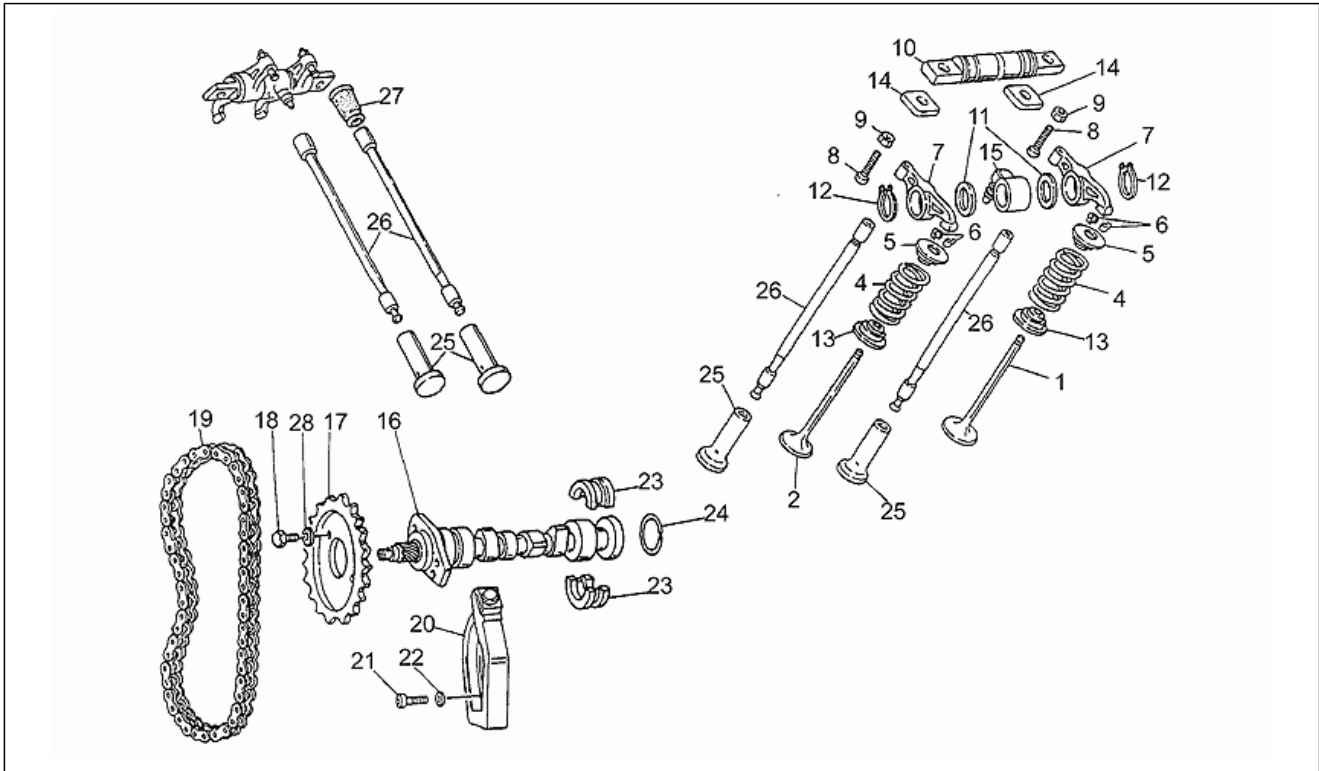
Pos.	Code	Beschrijving	Aant.	Varianten
30	GU28004950	Dop olietoevoer	1	
31	GU95100709	Pakking 20,1x28x2	1	
32	GU27152885	Schroefbout	1	
33	GU12154200	Pakking 8,25x15x1	1	
34	GU31999565	Oliekeerringen-serie	1	
35	GU27999060	Pakkingen-serie	1	
36	GU13021900	Kolomv. moer	4	
37	GU98610330	Bout M6x30	2	
38	GU95129180	Sluitring 10,5X18X0,8	4	
39	GU31991036	Motor zonder versn.bak	1	Technical Specifications: For generator/regolator DUCATI[D]
39	GU31991037	Motor zonder versn.bak	1	Technical Specifications: For generator/regolator BOSCH[B]

Groep	ENGINE
Code	34.33
Beschrijving	Timing system
Revisie	1



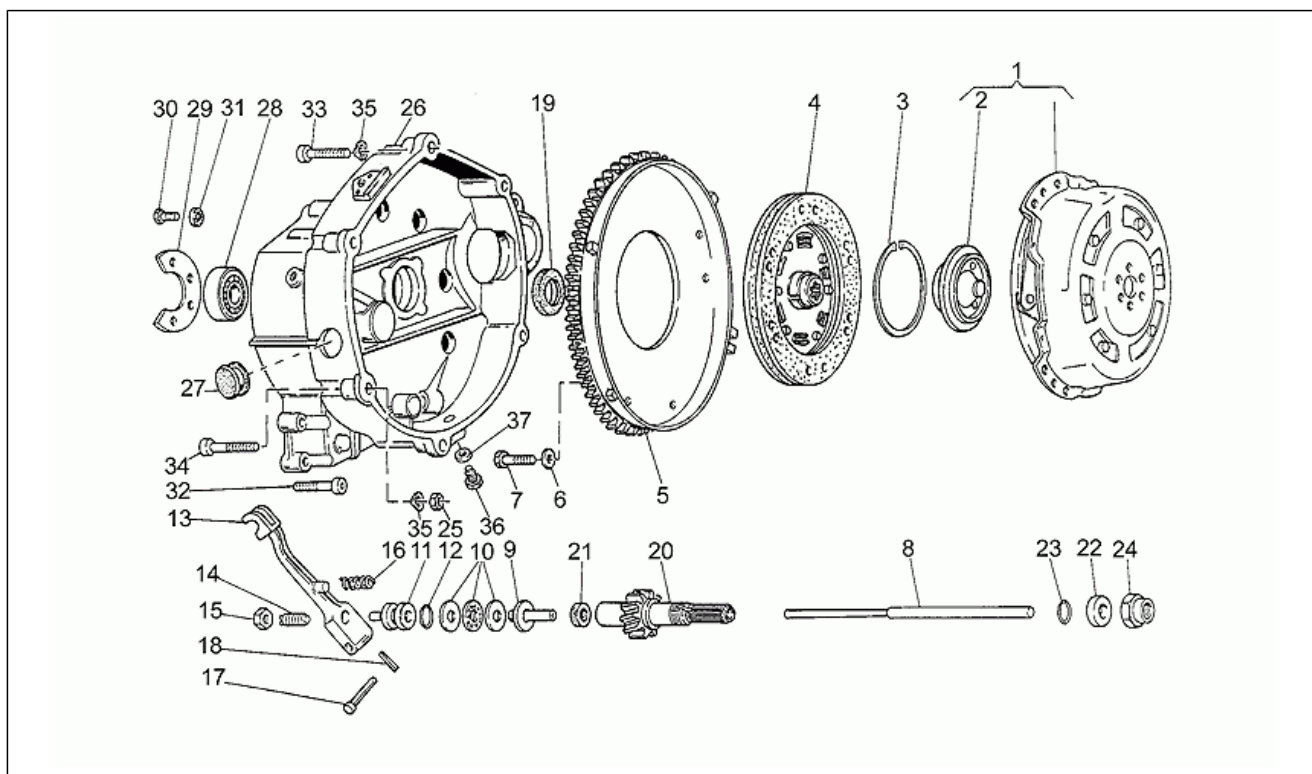
Pos.	Code	Beschrijving	Aant.	Varianten
1	GU19036082	Klep aanz.	2	
2	GU19036183	Klep uitl.	2	
4	GU27037521	Veer	4	
5	GU31038015	Schijf bov.	4	
6	GU61038100	Halfconus	8	
7	GU19030500	Balanceringen	4	
8	GU19034000	Bout	4	
9	GU92602406	Moer M6x1	4	
10	GU19032080	Pin balancering	2	
11	GU19032380	Schraapring	4	
12	GU90271018	Seegerring	4	
13	GU31037015	Schijf ond.	4	
14	GU19032980	Dikte	4	
15	GU19027500	Mof	2	
16	GU27053463	Nokkenas	1	Technical Specifications: Until frame <LX16499[T1]
16	GU27053464	Nokkenas	1	Technical Specifications: See spare parts comm.n.038 of 2000[03800N], From frame LX16500[T2]
17	GU19054521	Raderw.distrib.	1	
18	GU61054900	Schroefbout	2	
19	GU19058021	Distributieketting	1	
20	GU19058220	Kettingspanner distr.	1	
21	GU98822316	Bout	1	
22	GU95129115	Sluiring	1	
23	GU19055700	Sector blokk.	2	
24	GU90353029	Elastische ring	1	
25	GU19045861	Kleplicht.	4	
26	GU31045015	Staaft balanceringen	4	
27	GU27045420	Kapje	4	

Groep	ENGINE
Code	34.33
Beschrijving	Timing system
Revisie	1



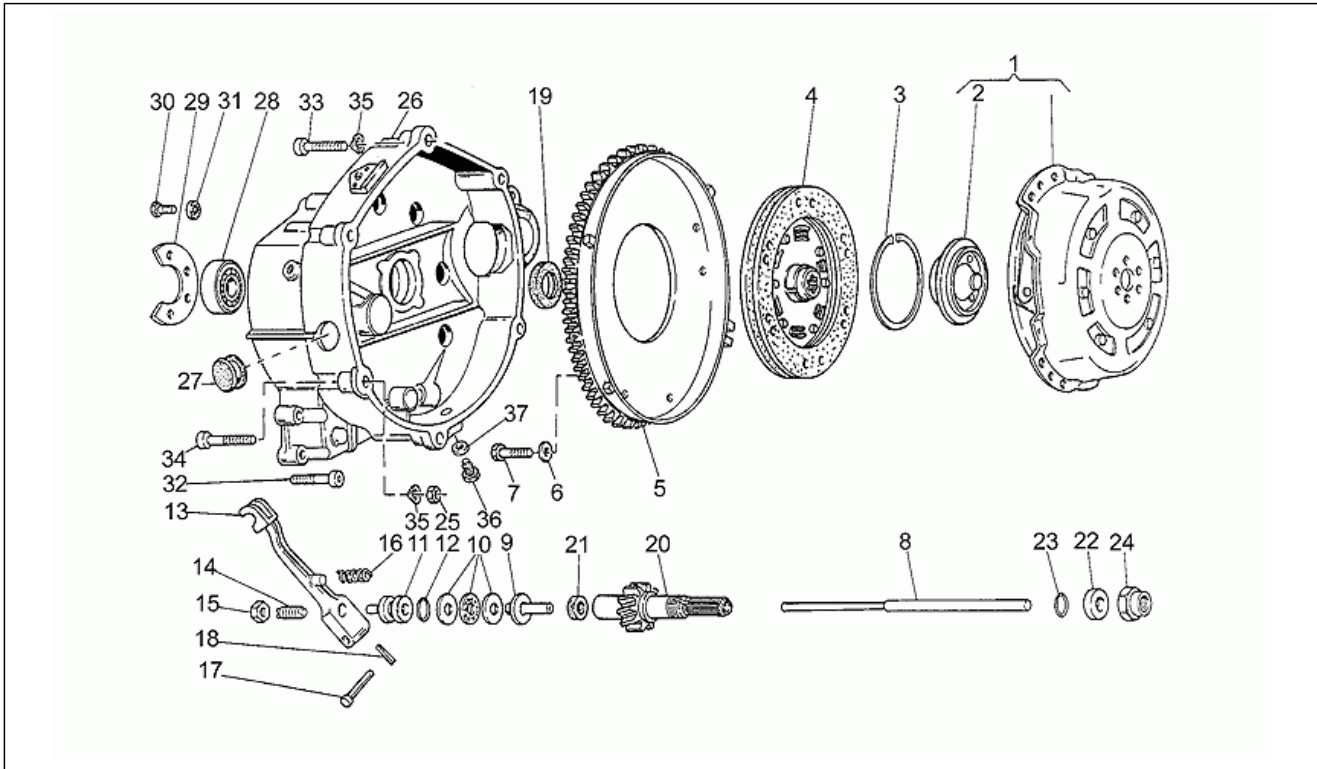
Pos.	Code	Beschrijving	Aant.	Varianten
28	GU23217800	Sluitring veiligheid	2	

Groep	ENGINE
Code	34.34
Beschrijving	Clutch
Revisie	1



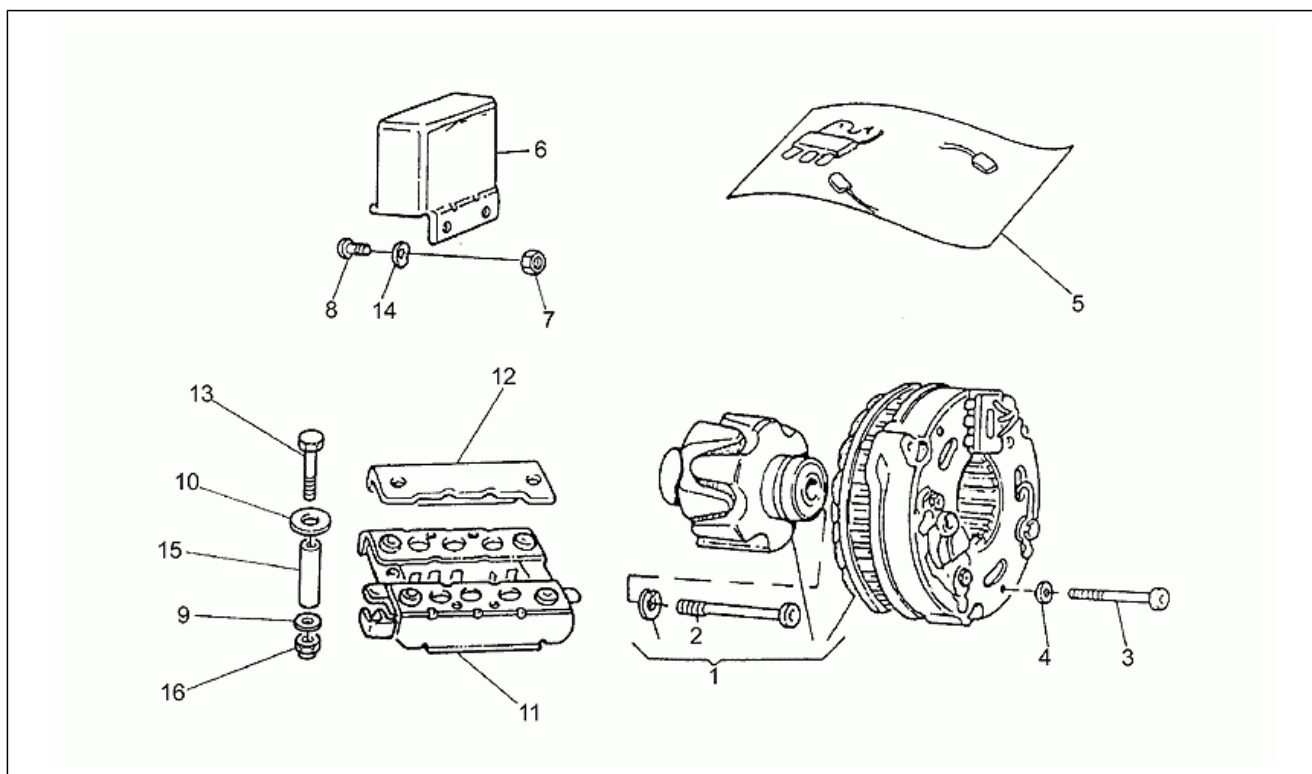
Pos.	Code	Beschrijving	Aant.	Varianten
1	GU27080160	Koppeling AP	1	
2	GU19083462	Plaatje koppeling	1	
3	GU90272075	Elastische ring	1	
4	GU27084460	Schijf koppeling geleid	1	
5	GU31067965	Kroon Digiplex	1	
6	GU14217901	Gekart. sluitring 6,4x10x0,7	6	
7	GU98054316	Zeskantbout	6	
8	GU20085720	Staaaf schijfduwer	1	Technical Specifications: See spare parts comm.n.038 of 2000[03800N]
9	GU14086000	Tussenromp	1	
10	GU12087001	Lager drukst.	1	
11	GU14086100	Externe romnp	1	
12	GU90706170	O-ring 17,13x2,62	1	
13	GU14090201	Ontkoppelingshendel koppeling	1	
14	GU14090400	Registerbout	1	
15	GU92602508	Moer M8x1	1	
16	GU94321105	Trekveer hendel	1	
17	GU95780271	Plug 7x39	1	
18	GU95500222	Splitpen	1	
19	GU90403245	Dichtingsring	1	
20	GU19210760	Overbrengingsas	1	
21	GU90400616	Dichtingsring 6x16x7	1	
22	GU19213760	Afstandhouder	1	
23	GU90706235	O-ring 23,52x1,78	1	
24	GU19356760	Veiligheidsmoer	1	
25	GU92602208	Moer	1	
26	GU31200431	Koppelingsblok	1	
27	GU93180220	Dop	1	

Groep	ENGINE
Code	34.34
Beschrijving	Clutch
Revisie	1



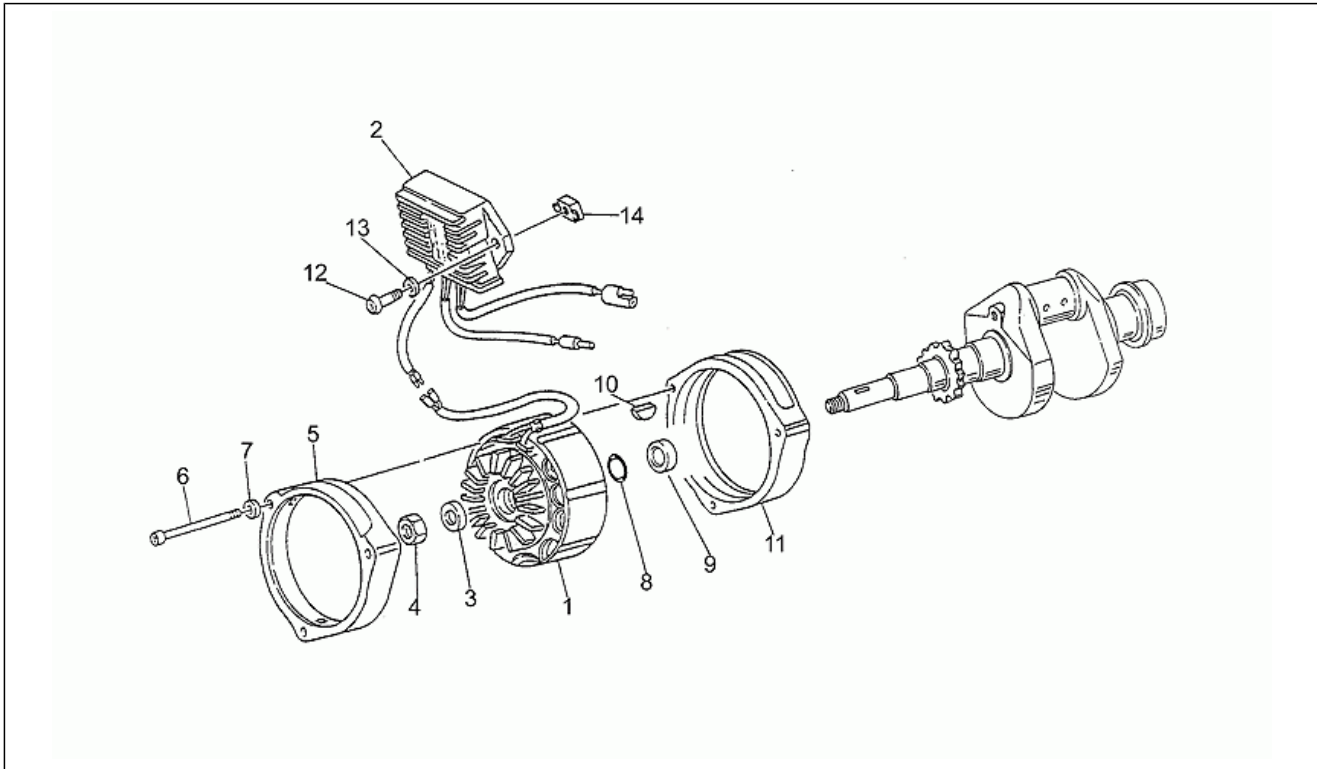
Pos.	Code	Beschrijving	Aant.	Varianten
28	GU92201225	Lager 25x52x15	1	
29	GU19203460	Bevestigingsplaat lager	1	
30	GU98054314	Bout	3	
31	GU14217901	Gekart. sluitring 6,4x10x0,7	3	
32	GU98610330	Bout M6x30	11	
33	GU98610435	Bout	5	
34	GU98610450	Bout	1	
35	GU61270300	Elastische sluitring 8x15x0,3	6	
36	GU31003766	Afvoerdop olie M10x1	1	
37	GU95004210	Sluitring 10,2x18x2	1	

Groep	ENGINE
Code	34.35
Beschrijving	Bosch ignition
Revisie	1



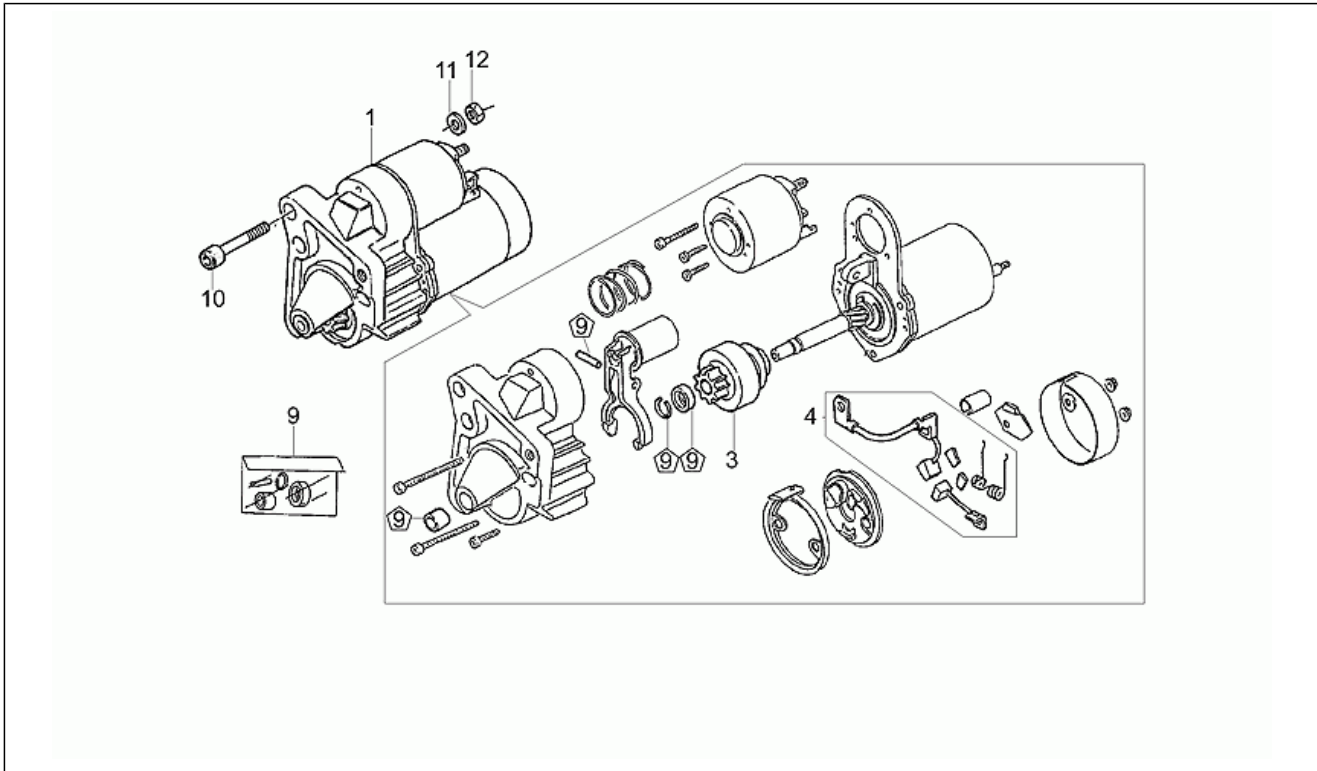
Pos.	Code	Beschrijving	Aant.	Varianten
1	GU17712400	Alternator Bosch	1	
2	GU14712459	Bout	1	
3	GU98620245	Binnenzeskantbout M5x45	3	
4	GU95021105	Getande sluitring	3	
5	GU17719900	Kit herstelling	1	
6	GU29703800	Spanningsregelaar BOSCH	1	
7	GU92630206	Moer M6x1	2	
8	GU98230612	Bout	2	
9	GU95129100	Elastische sluitring 5,3X10X0,5	4	
10	GU95100118	Sluitring 6,2X18X1	4	
11	GU17704300	Gelijkrichter Bosch	1	
12	GU14704205	Bedekking	1	
13	GU98052245	Bout	4	
14	GU95000206	Sluitring	2	
15	GU91180627	Afstandhouder	4	
16	GU92630105	Moer	4	

Groep	ENGINE
Code	34.36
Beschrijving	Ducati ignition
Revisie	1



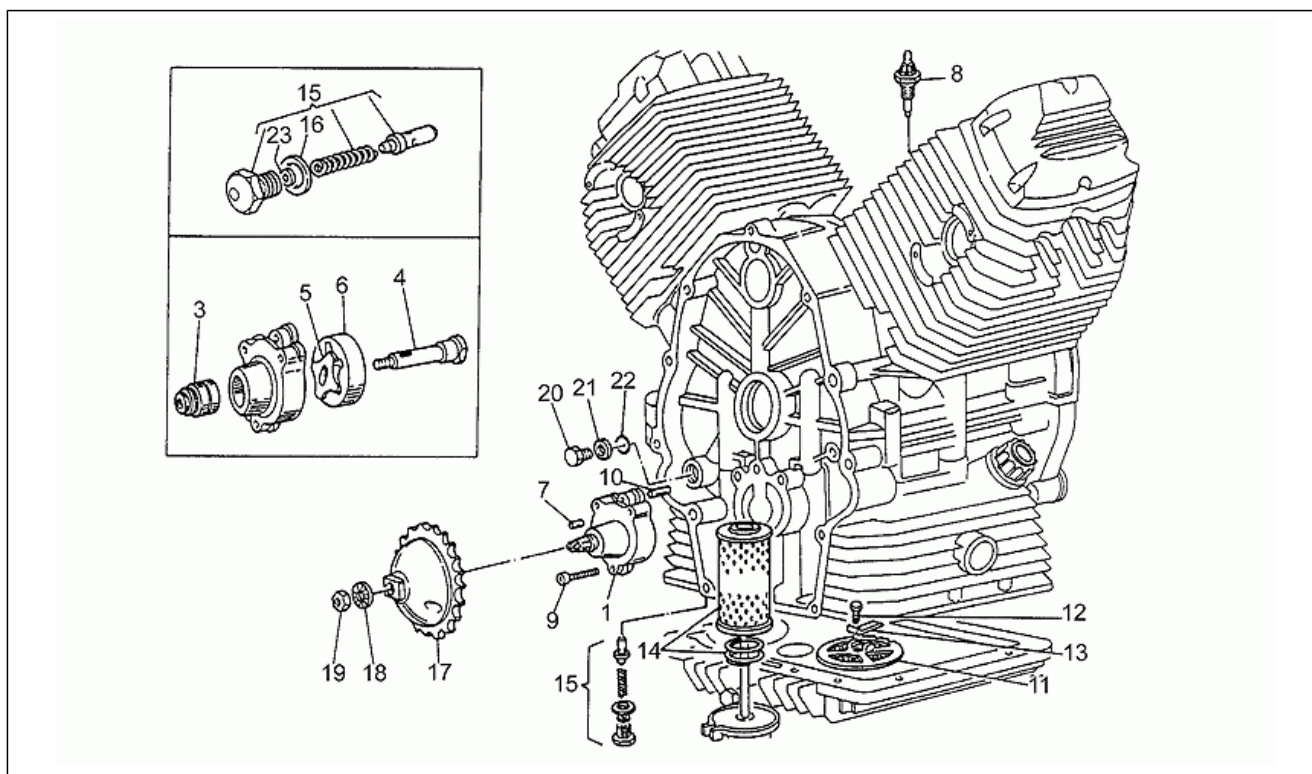
Pos.	Code	Beschrijving	Aant.	Varianten
1	GU37712405	Alternator	1	
2	GU37703805	Spanningsregelaar	1	
3	GU30714201	Sluitring 16,25x24,5x5	1	
4	GU92603516	Moer M16X1,5	1	
5	GU29711460	Kap voor.	1	
6	GU98620265	Bout	3	
7	GU29217960	Sluitring 5,9X3X0,8	3	
8	GU90706178	OR-ring 17,86X2,62	1	
9	GU31712365	Afstandhouder	1	
10	GU91600450	Sluitwig	1	
11	GU29711960	Kap acht.	1	
12	GU98622320	Bout	2	
13	GU95001206	Sluitring	2	
14	GU92660601	Moer in kooi	2	

Groep	ENGINE
Code	34.38
Beschrijving	Starter motor
Revisie	1



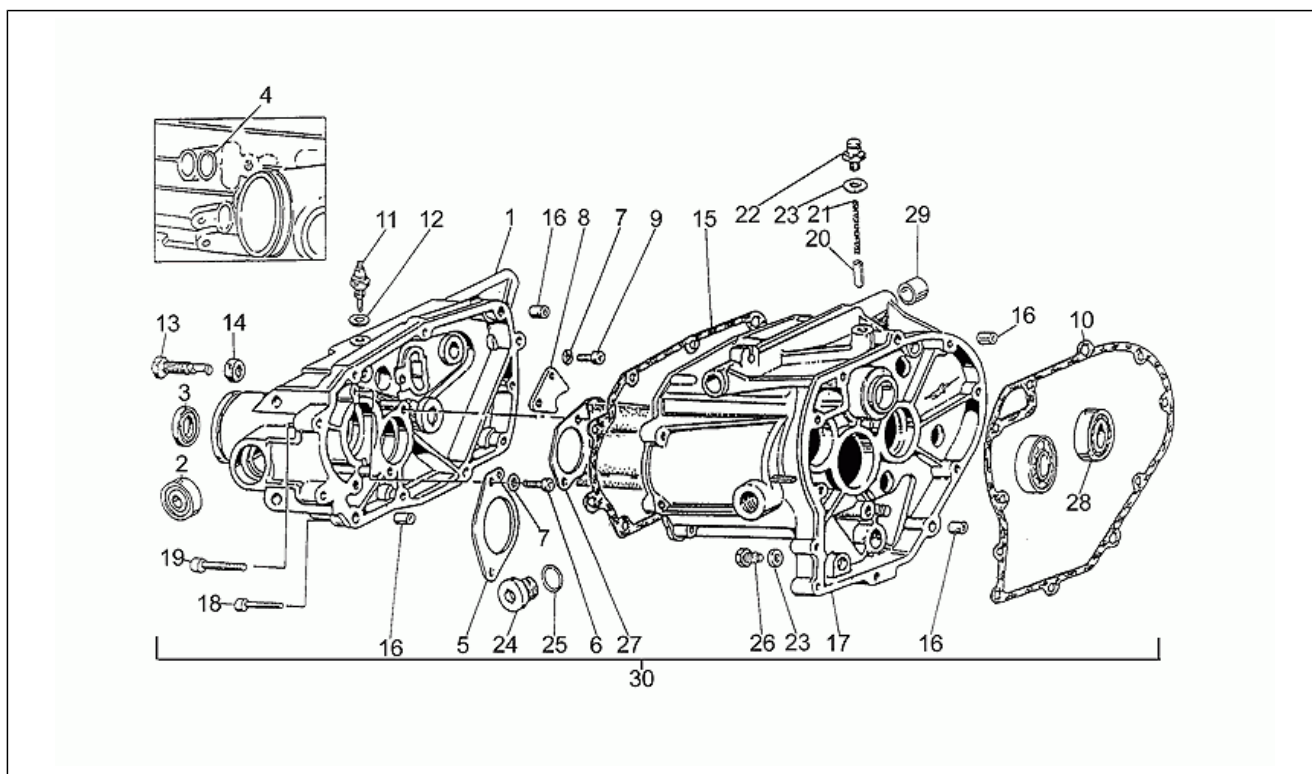
Pos.	Code	Beschrijving	Aant.	Varianten
1	GU30730711	Startmotor Valeo	1	
3	GU30530510	Rondsel cpl.	1	
4	GU30530511	Kit borstels	1	
9	GU30530512	Kit revisie startmotor	1	
10	GU98052435	Zeskantbout	2	
11	GU95004208	Sluitring	2	
12	GU92602208	Moer	2	

Groep	ENGINE
Code	34.39
Beschrijving	Oil pump
Revisie	1



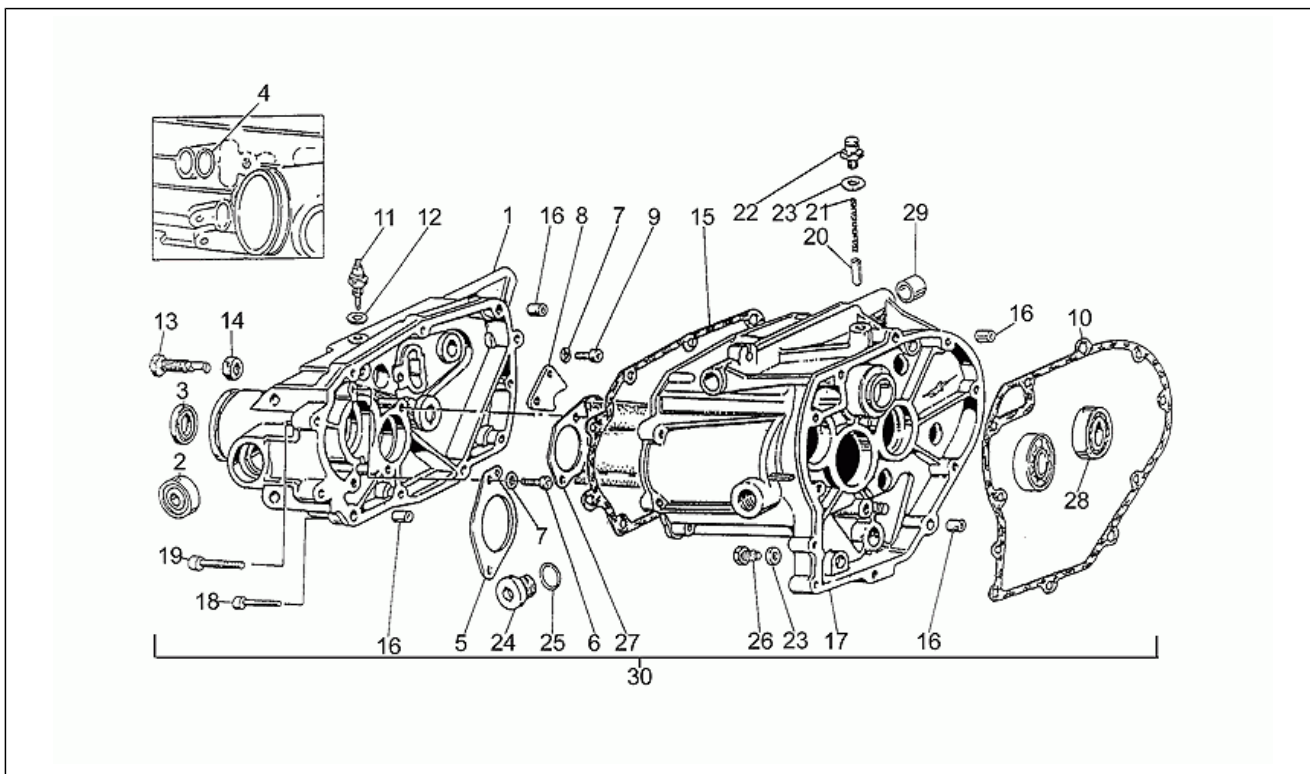
Pos.	Code	Beschrijving	Aant.	Varianten
1	GU19146422	Oliepomp	1	
3	GU92252210	Rollager 10x22x20	1	
4	GU20147810	As oliepom	1	
5	GU20148410	Rotor int.	1	
6	GU20148610	Rotor ext.	1	
7	GU92296726	Geleiderolletje	1	
8	GU31999581	Sensor oliedruk	1	Technical Specifications: See spare parts comm.n.022 of 2001[02201N]
9	GU98620335	Bout M6x35	3	
10	GU19018920	Plug	2	
11	GU19152200	Oliefilter	1	
12	GU98054314	Bout	1	
13	GU95187006	Plaatje	1	
14	GU27153085	Oliefilter	1	
15	GU31158250	Klep oliedruk	1	
16	GU18144350	Sluitring 18,25x24x1	3	
17	GU20147710	Raderw.pomp	1	
18	GU19149800	Sluitring 10,5x16x1	1	
19	GU92602510	Moer M10x1,25	1	
20	GU31016050	Dop	1	
21	GU18161150	Pakking in aluminium 14,25	1	
22	GU90706111	OR-ring	1	
23	GU95004206	Sluitring 6,15x11x0,8	1	

Groep	ENGINE
Code	34.40
Beschrijving	Transmission cage
Revisie	1



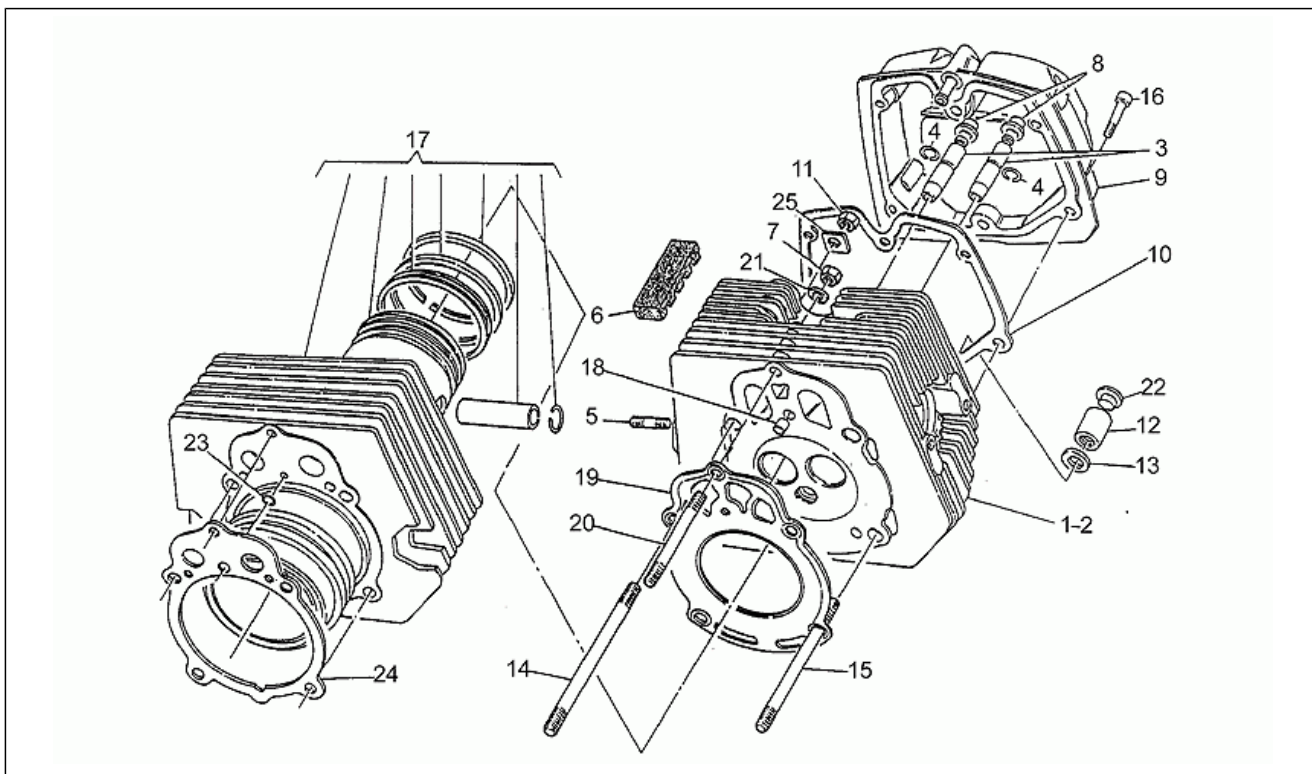
Pos.	Code	Beschrijving	Aant.	Varianten
1	GU31200831	Bedekking doos	1	
2	GU92204215	Lager 15x35x11	2	
3	GU90402841	Dichtingsring 28x40x7	1	
4	GU90706140	O-ring 13,95x2,92	1	
5	GU23213870	Plaat	1	Technical Specifications:Until gear >GP16327[C1]
5	GU23213872	Bevest.plaat secund. as	1	Technical Specifications:From gear GP16328[C2]
6	GU98622314	Bout	4	
7	GU14217901	Gekart. sluitring 6,4x10x0,7	6	
8	GU19235800	Bevest.plaat as	1	
9	GU98622314	Bout	2	
10	GU23200370	Pakking	1	
11	GU19207220	Sensor vrij	1	
12	GU12154200	Pakking 8,25x15x1	1	
13	GU19237800	Bout met excentriek M12x1,25	1	
14	GU92602512	Moer laag M12x1,25	1	
15	GU19201120	Pakking	1	
16	GU19002020	Beslagring 6,6x9x13	4	
17	GU31200231	Doos versn.bak	1	
18	GU98610330	Bout M6x30	5	
18	GU98610335	Binnenzeskantbout	2	
19	GU98610435	Bout	4	
20	GU55234700	Sluithaak	1	
21	GU94321067	Trekveer hendel	1	
22	GU31206500	Dop ontluchting	1	
23	GU10528900	Pakking in aluminium	2	
24	GU31351200	Dop olietoevoer	1	
25	GU90706203	OR-ring 20,24x2,62	1	
26	GU31003766	Afvoerdop olie M10x1	1	

Groep	ENGINE
Code	34.40
Beschrijving	Transmission cage
Revisie	1



Pos.	Code	Beschrijving	Aant.	Varianten
27	GU19208220	Wand olie	1	Technical Specifications: Until gear >GP16327[C1]
27	GU23208272	Wand olie	1	Technical Specifications: From gear GP16328[C2]
28	GU92201120	Kogellager 20x42x12	1	
29	GU19202320	Beslagring 10,25x15,7x8	1	
30	GU23991572	Doos versn.bak	1	

Groep	ENGINE
Code	34.41
Beschrijving	Cylinder head
Revisie	1



Pos.	Code	Beschrijving	Aant.	Varianten
1	GU31022131	Kop re	1	
2	GU31022231	Kop li	1	
3	GU61036801	Klepgeleider	4	
4	GU90353009	Elastische ring	4	
5	GU96506042	Stiftbout	4	
6	GU19025300	Antitrilplaat	4	
7	GU19021920	Moer	2	
8	GU19037820	Oliekeerring	4	
9	GU31023531	Bedekking kleppen	2	
10	GU19023700	Pakking	2	
11	GU92603010	Moer M10X1,5	4	
12	GU31021900	Moer	4	
13	GU95129180	Sluitring 10,5X18X0,8	4	
14	GU96510214	Stiftbout M10x214	4	
15	GU96510181	Stiftbout M10x182	4	
16	GU98610325	Bout	12	
17	GU31060131	Cilinder met zuiger	2	
18	GU19021360	Beslagring	2	
19	GU27022060	Pakking	2	
20	GU96508145	Stiftbout M8x143	2	
21	GU61270300	Elastische sluitring 8x15x0,3	2	
22	GU93180245	Dop	4	
23	GU61027200	OR-ring	2	
24	GU27020820	Pakking	2	
25	GU19032980	Dikte	4	